

FED. SUP CLASS  
5325

USER ACTIVITIES:  
ARMY - AT, ME, EL, EM, AV  
NAVY - MC, MS

REVIEW ACTIVITIES:  
ARMY - MU, WC  
NAVY - SA

This military standard is mandatory for use by all Departments and Agencies of the Department of Defense. Collection for all new engineering and design applications and for repetitive use shall be made from this document.

NOTES

1. MATERIAL - ALL COMPONENTS ARE BRASS EXCEPT WHERE OTHERWISE SPECIFIED.
2. FINISH
  - a. BRIGHT BRASS.
  - b. BLACK.
  - c. NICKEL PLATE.
  - d. BRIGHT CHROME PLATE.
  - e. BROWN.
3. DIMENSIONS - IN INCHES.
4. TOLERANCES - PLUS OR MINUS 1/64 INCH (FOR INFORMATION PURPOSES ONLY). PRODUCTION TOLERANCES IN ACCORDANCE WITH DRAWINGS REFERENCED IN SPECIFICATION MIL-P-10884.
5. FOR DESIGN FEATURE SELECTION PURPOSES, THIS STANDARD TAKES PRECEDENCE OVER PROCUREMENT DOCUMENT REFERENCED HEREIN.
6. REFERENCED DOCUMENTS SHALL BE OF THE ISSUE IN EFFECT ON DATE OF INVITATION FOR BIDS.
7. COMPONENT PARTS OF THE SAME FASTENER SHALL BE PROCURED FROM THE SAME MANUFACTURER.

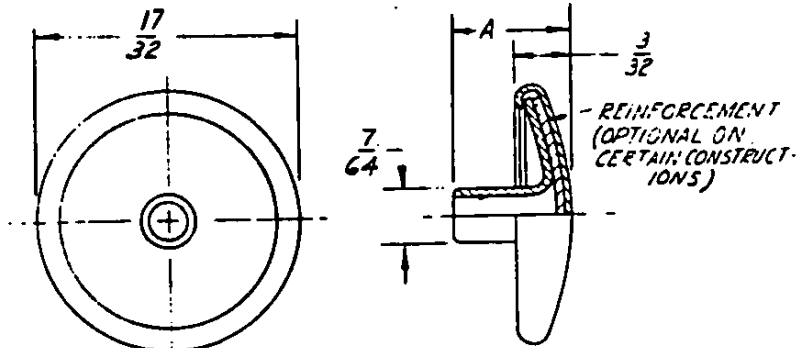
| INTERCHANGEABILITY TABLE I |          |
|----------------------------|----------|
| MS 27981                   | AN227    |
| DASH NO.                   | DASH NO. |
| -1B                        | -11B     |
| -1B                        | -11      |
| -1R                        | -11A     |
| -3B                        | -12B     |
| -3B                        | -12      |
| -4B                        | -13B     |
| -4B                        | -13      |
| -5B                        | -14B     |
| -5B                        | -14      |

(B) FOR CHANGES, SEE SHEET 1.

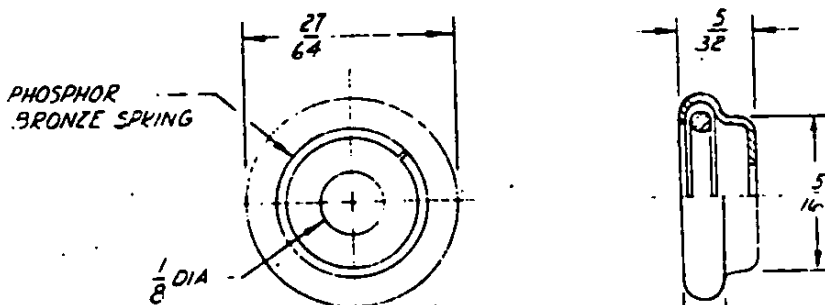
APPROVED 21 JULY 1961 REVISED (A) 16 MAY '66 (B) 5 MAY 1971

|  |   |                   |
|--|---|-------------------|
| P.A. ARMY - QL                           | TITLE   | MILITARY STANDARD |
| Other Cus: NAVY - AS<br>USAF - 82        | <i>FASTENERS, SNAP, STYLE 2A</i><br><i>(SMALL WIRE SPRING CLAMP TYPE)</i> | <b>MS 27981</b>   |
| Procurement Spec Revision<br>MIL-P-10884 | SUPERSEDED<br>AN 227 (in part)  | SHEET 1 OF 4      |

FED. SUP CLASS  
5325



BUTTON



SOCKET

USER ACTIVITIES:  
ARMY - AT, ME, EL, SM, AV  
NAVY - MC, MS

REVIEW ACTIVITIES:  
ARMY - MU, WC  
NAVY - SA

This military standard is mandatory for use by all departments and Agencies of the Department of Defense. It is for all new engineering and design applications. Its repetitive use shall be made from this document.

| SIZE   | DYN. A | MS PART NO.  |              |              |               |              |              |
|--------|--------|--------------|--------------|--------------|---------------|--------------|--------------|
|        |        | BRIGHT BRASS | BLACK        | NICKEL PLATE | BRIGHT CHROME | BROWN        |              |
| 1      | 7/32   | MS 27981 -1  | MS 27981 -1B | MS 27981 -1C | MS 27981 -1D  | MS 27981 -1E | MS 27981 -1F |
| 2      | 9/32   | MS 27981 -2  | MS 27981 -2B | MS 27981 -2C | MS 27981 -2D  | MS 27981 -2E | MS 27981 -2F |
| SOCKET | ....   | MS 27981 -3  | MS 27981 -3B | MS 27981 -3C | MS 27981 -3D  | MS 27981 -3E | MS 27981 -3F |

NOTE: BUTTON, SIZE 1 OR 2, AS APPLICABLE, AND SOCKET CONSTITUTE FEMALE HALF OF STYLE 2A FASTENER.

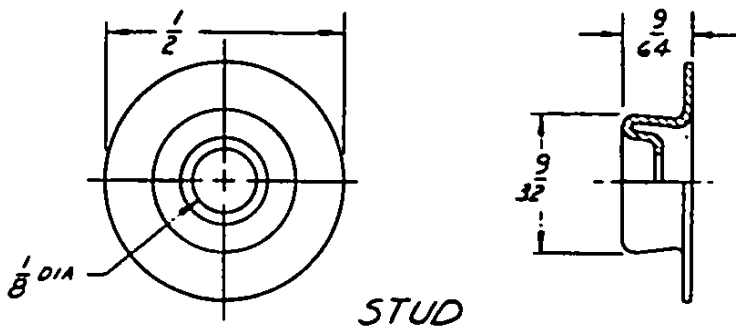
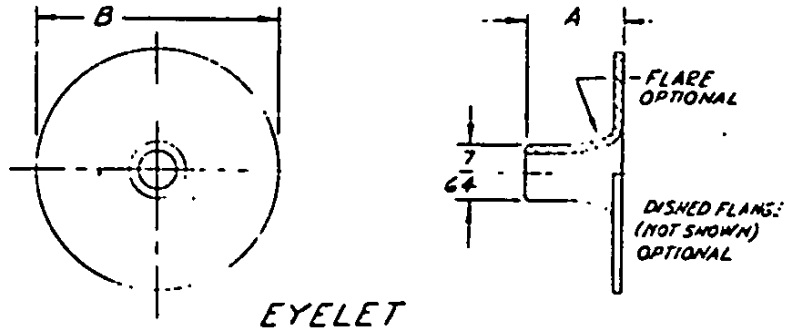
|  |   |                   |
|--|---|-------------------|
| P.A. ARMY - GL                           | TITLE   | MILITARY STANDARD |
| Other Cust NAVY - AN<br>USAF - 12        | <b>FASTENERS, SNAP STYLE 2A</b><br>(SMALL WIRE SPRING CLAMP TYPE) | <b>MS 27981</b>   |
| Procurement Specification<br>MIL-P-10884 | SUPERSEDES<br>AN 227 (10 PART)                                    | SHEET 2           |

APPROVED 21 July 1961 REVISED FOR CHANGES, SEE SHEET 1.

USER ACTIVITIES:  
ARMY - AT, MB, EL, EN, AV  
NAVY - MC, MG

REVIEW ACTIVITIES:  
ARMY - MU, WC  
NAVY - BA

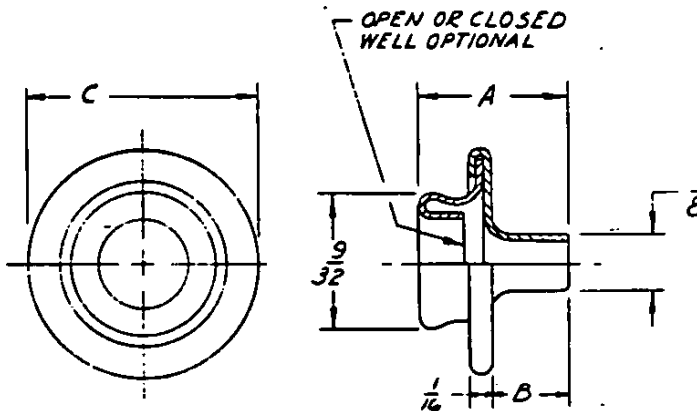
This military standard is mandatory for use by all Departments and Agencies of the Department of Defense. Selection for all new engineering and design applications and for repetitive use shall be made from this document.

| FED. SUP CLASS<br>5325  |  |                                      |       |              |               |              |              |             |  |              |       |              |               |      |       |       |       |             |              |              |              |        |   |      |     |             |              |              |              |        |   |     |             |              |              |              |        |   |       |     |             |              |              |              |        |   |      |             |              |              |              |
|---|--|--------------------------------------|-------|--------------|---------------|--------------|--------------|-------------|--|--------------|-------|--------------|---------------|------|-------|-------|-------|-------------|--------------|--------------|--------------|--------|---|------|-----|-------------|--------------|--------------|--------------|--------|---|-----|-------------|--------------|--------------|--------------|--------|---|-------|-----|-------------|--------------|--------------|--------------|--------|---|------|-------------|--------------|--------------|--------------|
|  <p style="text-align: center;"><b>STUD</b></p>   |  <p style="text-align: center;"><b>EYELET</b></p> |                                      |       |              |               |              |              |             |  |              |       |              |               |      |       |       |       |             |              |              |              |        |   |      |     |             |              |              |              |        |   |     |             |              |              |              |        |   |       |     |             |              |              |              |        |   |      |             |              |              |              |
| <table border="1" style="width: 100%; border-collapse: collapse;"> <thead> <tr> <th rowspan="2"></th> <th rowspan="2">SIZE</th> <th rowspan="2">DIM. A</th> <th rowspan="2">DIM. B</th> <th colspan="4">MS PART NO.</th> </tr> <tr> <th>BRIGHT BRASS</th> <th>BLACK</th> <th>NICKEL PLATE</th> <th>BRIGHT CHROME</th> </tr> </thead> <tbody> <tr> <td>STUD</td> <td>.....</td> <td>.....</td> <td>.....</td> <td>MS 27981 -4</td> <td>MS 27981 -4B</td> <td>MS 27981 -4M</td> <td>MS 27981 -4C</td> </tr> <tr> <td>EYELET</td> <td>1</td> <td>3/16</td> <td rowspan="2">1/2</td> <td>MS 27981 -5</td> <td>MS 27981 -5B</td> <td>MS 27981 -5M</td> <td>MS 27981 -5C</td> </tr> <tr> <td>EYELET</td> <td>2</td> <td>1/4</td> <td>MS 27981 -6</td> <td>MS 27981 -6B</td> <td>MS 27981 -6M</td> <td>MS 27981 -6C</td> </tr> <tr> <td>EYELET</td> <td>3</td> <td>21/64</td> <td rowspan="2">3/8</td> <td>MS 27981 -7</td> <td>MS 27981 -7B</td> <td>MS 27981 -7M</td> <td>MS 27981 -7C</td> </tr> <tr> <td>EYELET</td> <td>4</td> <td>7/16</td> <td>MS 27981 -8</td> <td>MS 27981 -8B</td> <td>MS 27981 -8M</td> <td>MS 27981 -8C</td> </tr> </tbody> </table> |  |                                      | SIZE  | DIM. A       | DIM. B        | MS PART NO.  |              |             |  | BRIGHT BRASS | BLACK | NICKEL PLATE | BRIGHT CHROME | STUD | ..... | ..... | ..... | MS 27981 -4 | MS 27981 -4B | MS 27981 -4M | MS 27981 -4C | EYELET | 1 | 3/16 | 1/2 | MS 27981 -5 | MS 27981 -5B | MS 27981 -5M | MS 27981 -5C | EYELET | 2 | 1/4 | MS 27981 -6 | MS 27981 -6B | MS 27981 -6M | MS 27981 -6C | EYELET | 3 | 21/64 | 3/8 | MS 27981 -7 | MS 27981 -7B | MS 27981 -7M | MS 27981 -7C | EYELET | 4 | 7/16 | MS 27981 -8 | MS 27981 -8B | MS 27981 -8M | MS 27981 -8C |
|   | SIZE   |                                      |       |              |               | DIM. A       | DIM. B       | MS PART NO. |  |              |       |              |               |      |       |       |       |             |              |              |              |        |   |      |     |             |              |              |              |        |   |     |             |              |              |              |        |   |       |     |             |              |              |              |        |   |      |             |              |              |              |
|   |  | BRIGHT BRASS                         | BLACK | NICKEL PLATE | BRIGHT CHROME |              |              |             |  |              |       |              |               |      |       |       |       |             |              |              |              |        |   |      |     |             |              |              |              |        |   |     |             |              |              |              |        |   |       |     |             |              |              |              |        |   |      |             |              |              |              |
| STUD  | .....  | .....                                | ..... | MS 27981 -4  | MS 27981 -4B  | MS 27981 -4M | MS 27981 -4C |             |  |              |       |              |               |      |       |       |       |             |              |              |              |        |   |      |     |             |              |              |              |        |   |     |             |              |              |              |        |   |       |     |             |              |              |              |        |   |      |             |              |              |              |
| EYELET  | 1  | 3/16                                 | 1/2   | MS 27981 -5  | MS 27981 -5B  | MS 27981 -5M | MS 27981 -5C |             |  |              |       |              |               |      |       |       |       |             |              |              |              |        |   |      |     |             |              |              |              |        |   |     |             |              |              |              |        |   |       |     |             |              |              |              |        |   |      |             |              |              |              |
| EYELET  | 2  | 1/4                                  |       | MS 27981 -6  | MS 27981 -6B  | MS 27981 -6M | MS 27981 -6C |             |  |              |       |              |               |      |       |       |       |             |              |              |              |        |   |      |     |             |              |              |              |        |   |     |             |              |              |              |        |   |       |     |             |              |              |              |        |   |      |             |              |              |              |
| EYELET  | 3  | 21/64                                | 3/8   | MS 27981 -7  | MS 27981 -7B  | MS 27981 -7M | MS 27981 -7C |             |  |              |       |              |               |      |       |       |       |             |              |              |              |        |   |      |     |             |              |              |              |        |   |     |             |              |              |              |        |   |       |     |             |              |              |              |        |   |      |             |              |              |              |
| EYELET  | 4  | 7/16                                 |       | MS 27981 -8  | MS 27981 -8B  | MS 27981 -8M | MS 27981 -8C |             |  |              |       |              |               |      |       |       |       |             |              |              |              |        |   |      |     |             |              |              |              |        |   |     |             |              |              |              |        |   |       |     |             |              |              |              |        |   |      |             |              |              |              |
| <p>NOTE: STUD AND EYELET, SIZE 1, 2, 3, OR 4, AS APPLICABLE, CONSTITUTE THE MALE HALF OF STYLE 2A FASTENER.</p>   |  |                                      |       |              |               |              |              |             |  |              |       |              |               |      |       |       |       |             |              |              |              |        |   |      |     |             |              |              |              |        |   |     |             |              |              |              |        |   |       |     |             |              |              |              |        |   |      |             |              |              |              |
| P.A. ARMY - GL  | TITLE<br><b>FASTENERS, SNAP STYLE 2A</b><br><i>(SMALL WIRE SPRING CLAMP TYPE)</i>  | MILITARY STANDARD<br><b>MS 27981</b> |       |              |               |              |              |             |  |              |       |              |               |      |       |       |       |             |              |              |              |        |   |      |     |             |              |              |              |        |   |     |             |              |              |              |        |   |       |     |             |              |              |              |        |   |      |             |              |              |              |
| Other Code<br>NAVY - 40<br>USAF - 12  | SUPERSEDES<br>AN227 (in part)  | SHEET<br>3                           |       |              |               |              |              |             |  |              |       |              |               |      |       |       |       |             |              |              |              |        |   |      |     |             |              |              |              |        |   |     |             |              |              |              |        |   |       |     |             |              |              |              |        |   |      |             |              |              |              |
| <p>Procedure Specification<br/>MIL-P-10684</p>  |  |                                      |       |              |               |              |              |             |  |              |       |              |               |      |       |       |       |             |              |              |              |        |   |      |     |             |              |              |              |        |   |     |             |              |              |              |        |   |       |     |             |              |              |              |        |   |      |             |              |              |              |

APPROVED 21 July 1961 REVISED FOR CHANGES, SEE SHEET 1.

FED. SUP CLASS  
5325

USER ACTIVITIES:  
ARMY - AT, MB, EL, BM, AY  
NAVY - MC, MS



STUD-EYELET COMBINATION

REVIEW ACTIVITIES:  
ARMY - MU, VC  
NAVY - SA

| SIZE | DIM. A | DIM. B | DIM. C | MS PART NO.  |               |               |               |
|------|--------|--------|--------|--------------|---------------|---------------|---------------|
|      |        |        |        | BRIGHT BRASS | BLACK         | NICKEL PLATE  | BRIGHT CHROME |
| 1    | 21/64  | 5/32   | 31/64  | MS 27981 -9  | MS 27981 -9B  | MS 27981 -9C  | MS 27981 -9D  |
| 2    | 25/64  | 13/64  | 27/64  | MS 27981 -10 | MS 27981 -10B | MS 27981 -10C | MS 27981 -10D |
| 3    | 27/64  | 15/64  | 27/64  | MS 27981 -11 | MS 27981 -11B | MS 27981 -11C | MS 27981 -11D |

NOTE: THE STUD-EYELET COMBINATION ABOVE, IN THE APPLICABLE SIZE, CONSTITUTES THE MALE HALF OF STYLE 2A FASTENER WHEN THE APPLICATION REQUIRES A REVERSIBLE FASTENER. WHEN THE STUD-EYELET COMBINATION REQUIRED, THE SOCKET SHOWN ON SHEET NO. 2 OF THIS STANDARD SHALL CONSTITUTE THE FEMALE HALF.

This military standard is mandatory for use by all Departments and Agencies of the Department of Defense. Selection for all new engineering and design applications and for repetitive use shall be made from this document.

APPROVED 21 July 1961 REVISED FOR CHANGES, SEE SHEET 1.

|  |   |                   |
|--|---|-------------------|
| P.A. ARMY - GL                           | TITLE   | MILITARY STANDARD |
| Other Cust NAVY - AS<br>USAF - 82        | FASTENERS, SNAP, STYLE 2A<br>(SMALL WIRE SPRING CLAMP TYPE) | MS 27981          |
| Procurement Specification<br>MIL-F-10884 | SUPERSEDES:<br>AN227 (In part)                              | SHEET<br>6        |

DD FORM 1 SEP 57 672 (Coordinated) PREVIOUS EDITIONS OF THIS FORM ARE OBSOLETE.