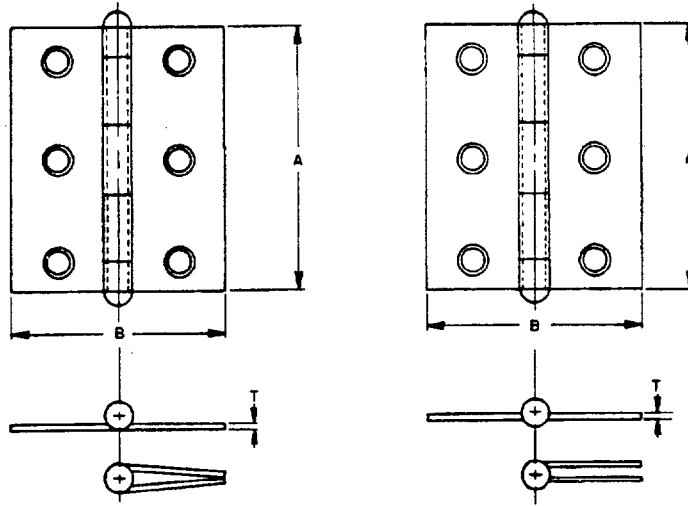


FED SUP CLASS  
5340

FAST PIN



NOT SWAGED, FOR FULL SERVICE APPLICATION

SWAGED, FOR MORTISE APPLICATION

TABLE I. DASH NUMBERS AND DIMENSIONS.

NOMINAL SIZE	A LENGTH	±.06	1.25	1.50	2.00	2.50	3.00
		B WIDTH	±.06	1.37	1.50	1.75	1.87
	T THICKNESS	±.005	.065	.068	.074	.079	.079
	NUMBER OF SCREW HOLES		4	4	4	6	6
	1/2 SIZE OF SCREWS	(REF)	#6 X 3/4	#6 X 3/4	#7 X 3/4	#7 X 3/4	#8 X 3/4
	TYPES		DASH NUMBER	DASH NUMBER	DASH NUMBER	DASH NUMBER	DASH NUMBER
	FAST PIN, NOT SWAGED		2	4	6	8	10
	FAST PIN, SWAGED		22	24	26	28	30

1/ SEE NOTE 1

USER ACTIVITIES:  
ARMY - AV, ME  
NAVY - MC

REVIEWER ACTIVITIES:  
ARMY - EA, GL  
NAVY - SH  
AIR FORCE - 82  
DLA - IS

DISTRIBUTION STATEMENT A. Approved for public release; distribution is unlimited.  
This military standard is approved for use by all Departments and Agencies of the Department of Defense.  
Selection for all new engineering and design applications and for repetitive use shall be made from this document when applicable.

AMSC N/A

(B) ENTIRE STANDARD REVISED

P.A. ARMY - AR Other Cust NAVY - YD AIR FORCE-99	INTERNATIONAL INTEREST	TITLE HINGE, BUTT-NARROW, NON-TEMPLATE	MILITARY STANDARD MS27966
PROCUREMENT SPECIFICATION ANSI A156.1	SUPERSEDES	SHEX1, MQ128A	PAGE 1 OF 2

DD FORM 672-1 (COORDINATED)

PREVIOUS EDITIONS ARE SUPERSEDED

5340-1722

APPROVED 24 FEB 61  
REVISED (B) 21 DEC 87

REQUIREMENTS:

1. MATERIAL:

BODY: STEEL, IN ACCORDANCE WITH ASTM A506 LOW CARBON, COLD ROLLED.

PIN: BRASS, IN ACCORDANCE WITH QQ-B-626, COMPOSITION 11, HARD OR CORROSION-RESISTANT STEEL, IN ACCORDANCE WITH ASTM A666.

2. PROTECTIVE COATING: CADMIUM PLATED, IN ACCORDANCE WITH QQ-P-416, TYPE II, CLASS 2. ZINC PLATED IN ACCORDANCE WITH ASTM B633 Fe/Zn13, TYPE II OR MIL-C-81562, TYPE II, CLASS 2.

3. PART NUMBER: THE MS PART NUMBER CONSISTS OF THE MS NUMBER, PLUS THE DASH NUMBER TAKEN FROM TABLE 1.

EXAMPLE: MS27966-2

DASH NUMBER

BASIC MS NUMBER

MS27961-2 - INDICATES HINGE, BUTT, NARROW, NON-TEMPLATE, STEEL, LENGTH, .125 WIDTH, 1.37, THICKNESS, .065.

NOTES:

1. SCREWS: HINGES ARE FURNISHED WITH WOOD SCREWS. THE SIZES SPECIFIED ARE THOSE NORMALLY FURNISHED BY THE SUPPLIER.
2. SIZE: THE WIDTH DIMENSION OF NOT SHAGED HINGE WILL BE SLIGHTLY NARROWER THAN SHOWN.
3. ALL DIMENSIONS ARE IN INCHES UNLESS OTHERWISE SPECIFIED.
4. IN THE EVENT OF A CONFLICT BETWEEN THE TEXT OF THIS STANDARD AND THE REFERENCES CITED HEREIN, THE TEXT OF THIS STANDARD SHALL TAKE PRECEDENCE.
5. REFERENCED GOVERNMENT (OR NON-GOVERNMENT) DOCUMENTS OF THE ISSUE LISTED IN THAT ISSUE OF THE DEPARTMENT OF DEFENSE INDEX OF SPECIFICATIONS AND STANDARDS (DDOISS) SPECIFIED IN THE SOLICITATION, FORM A PART OF THIS STANDARD TO THE EXTENT SPECIFIED HEREIN.

USER ACTIVITIES:  
ARMY - AV, ME  
NAVY - MC

REVIEWER ACTIVITIES:  
ARMY - EA, (SL)  
NAVY - SH  
AIR FORCE - 82  
DLA - IS

This military standard is approved for use by all Departments and Agencies of the Department of Defense. Selection for all new engineering and design applications and for repetitive use shall be made from this document when applicable.

APPROVED 24 FEB 61 REVISED (B) FOR CHANGES SEE PAGES 1 AND 2

P.A. ARMY - AR Other Cust NAVY - YD AIR FORCE-99	INTERNATIONAL INTEREST	TITLE <b>HINGE, BUTT-NARROW, NON-TEMPLATE</b>	<b>MILITARY STANDARD MS27966</b>
PROCUREMENT SPECIFICATION ANSI A156.1	SUPERSEDES	SHEX1, MQ128A	PAGE 2 OF 2