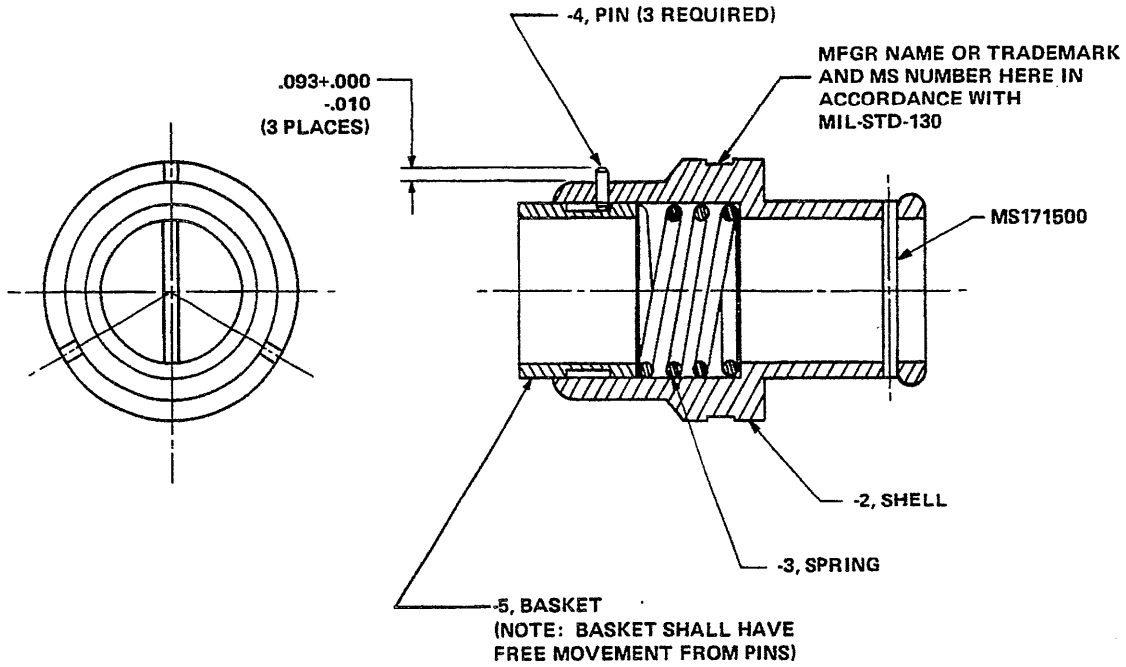


FED. SUP CLASS  
1660



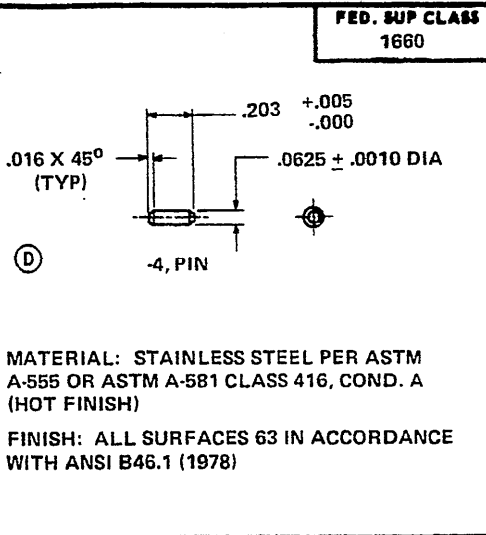
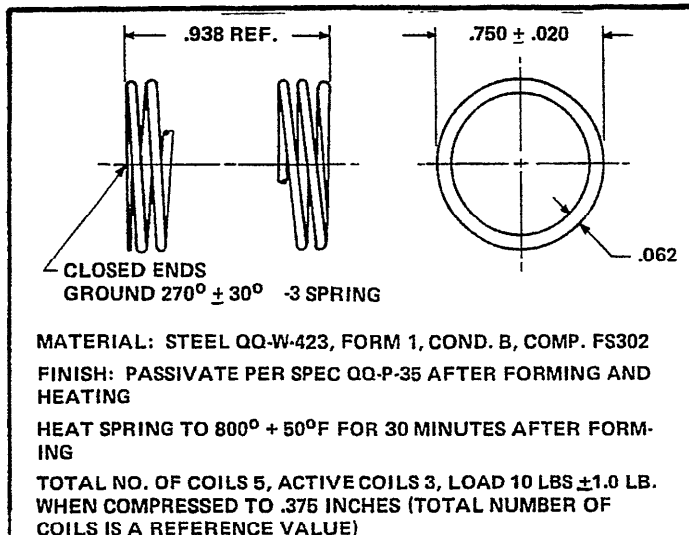
**NOTES:**  
 DIMENSIONS AND TOLERANCES SHALL BE IN ACCORDANCE WITH ANSI Y14.5 (1973) DIMENSIONS IN INCHES.  
 TOLERANCES ARE DECIMALS  $\pm .015$  UNLESS OTHERWISE SPECIFIED.  
 REMOVE ALL BURRS AND SHARP EDGES (.010 MAX).  
 FOR DESIGN FEATURE PURPOSES THIS STANDARD TAKES PRECEDENCE OVER PROCUREMENT DOCUMENTS REFERENCED HEREIN.  
 REFERENCED DOCUMENTS SHALL BE OF THE ISSUE IN EFFECT ON DATE OF INVITATIONS FOR BID.  
 CAUTION: ALL PARTS OF THE OXYGEN SYSTEM SHALL BE FREE FROM OIL, GREASE, OR OTHER COMBUSTIBLE MATERIAL.

REVIEW ACTIVITY: AIR FORCE-11  
ARMY - AV

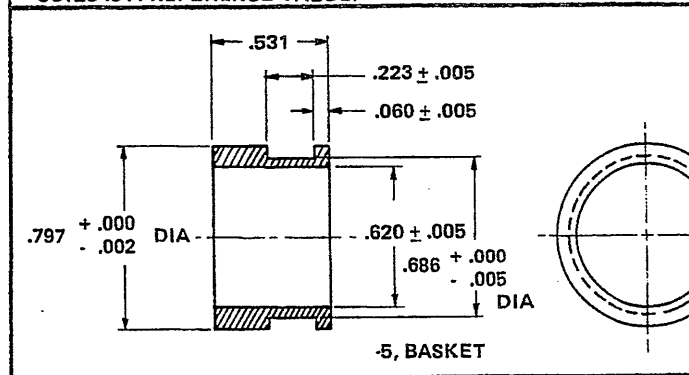
This military standard is approved by the Department of Defense and is mandatory on all activities. Selection for all new engineering and design applications and for repetitive use shall be made from this document.

APPROVED 9 SEPT 1968 REVISED (A) 2 JUN 1969 (E) 8 JUNE 1970 (C) 13 MARCH 1974 (D) 26 OCT 83

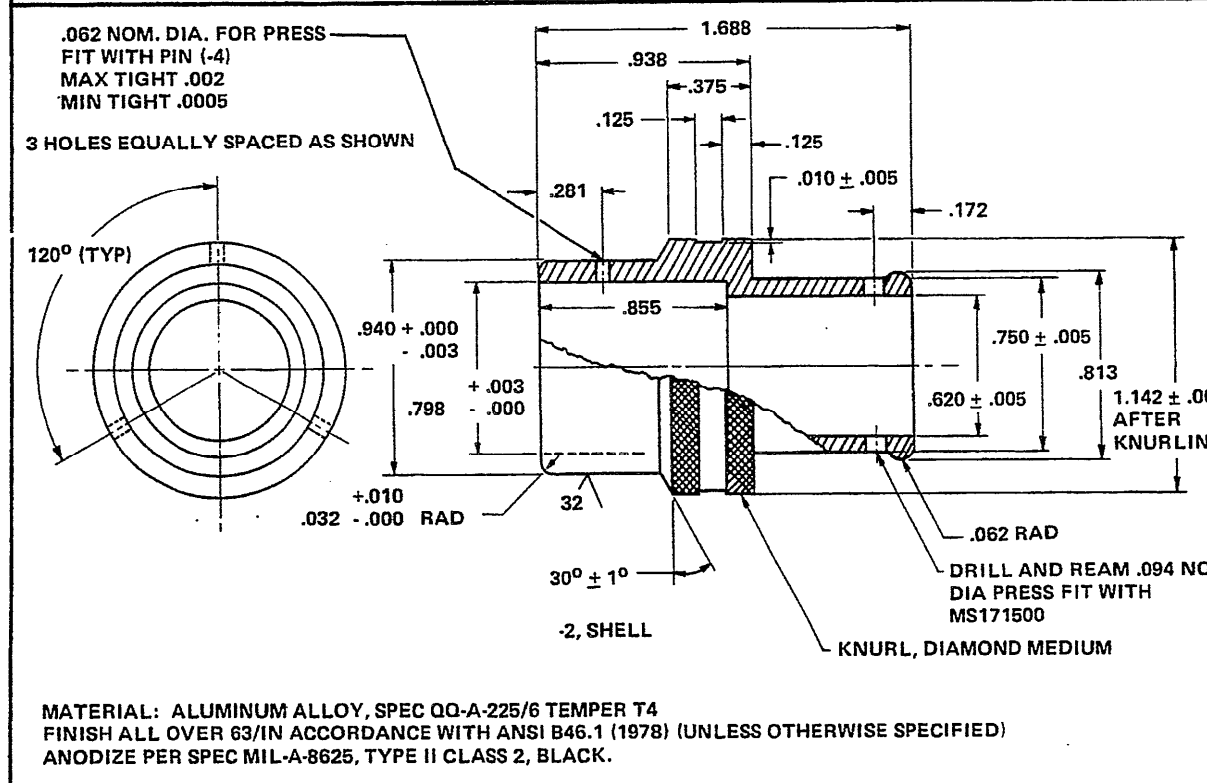
P.A. AF - 82 Other Cust NAVY-AS AF - 99	TITLE CONNECTOR-BAYONET, THREE PIN, OXYGEN MASK	MILITARY STANDARD	
		MS27796	
PROCUREMENT SPECIFICATION NONE	SUPERSEDES: AF DRAWINGS: 57B3661, 57B3663, 57A3664, 57A3665	SHEET	OF
		1	2



FED. SUP CLASS  
1660



MATERIAL: ALUMINUM ALLOY SPEC  
QQ-A-225/6 TEMPER T4 FINISH ALL  
OVER 63/IN ACCORDANCE WITH ANSI B46.1  
(1978) ANODIZE PER SPEC MIL-A-8625,  
TYPE II, CLASS 2, BLACK



P.A. AF - 82	TITLE	<b>MILITARY STANDARD</b> <b>MS27796</b>
Other Cust NAVY-AS AF - 99	CONNECTOR-BAYONET, THREE PIN, OXYGEN MASK	
PROCUREMENT SPECIFICATION NONE	SUPERSEDES: AF DRAWINGS: 56B3661, 57B3663, 57A3664, 56A3665	SHEET 2 OF 2

REVIEW ACTIVITY: AIR FORCE-11 ARMY - AV

This military standard is approved by the Department of Defense and is mandatory on all activities. Selection for all new engineering and design applications and for repetitive use shall be made from this document.

APPROVED 9 SEPT 1968 REVISED FOR CHANGES SEE SHEET 2 13 MARCH 1974