

MS PART NO
MS27755

WEIGHT: .11 POUND MAXIMUM.

DIMENSIONS IN INCHES. UNLESS OTHERWISE SPECIFIED TOLERANCE FOR DIMENSION $\pm .016$, ANGLES $\pm 1^\circ$.

REMOVE ALL BURRS AND BREAK SHARP EDGES.

SURFACE ROUGHNESS SHALL BE DETERMINED IN ACCORDANCE WITH ASA B46.1.

UNLESS OTHERWISE SPECIFIED MAXIMUM SURFACE ROUGHNESS SHALL BE 125.

CERTAIN PROVISIONS OF THIS STANDARD ARE THE SUBJECT OF INTERNATIONAL STANDARDIZATION AGREEMENT, NATO STANAG 3200. WHEN REVISION OR CANCELLATION OF THIS STANDARD IS PROPOSED, THE DEPARTMENTAL CUSTODIANS WILL INFORM THEIR RESPECTIVE DEPARTMENTAL STANDARDIZATION OFFICES SO THAT APPROPRIATE ACTION MAY BE TAKEN RESPECTING THE INTERNATIONAL AGREEMENT CONCERNED.

FOR DESIGN FEATURE PURPOSES, THIS STANDARD TAKES PRECEDENCE OVER PROCUREMENT DOCUMENTS REFERENCED HEREIN. REFERENCED DOCUMENTS SHALL BE OF THE ISSUE IN EFFECT ON DATE OF INVITATIONS FOR BID.

Review activities:
DCSC - CS
NAVY - MC

This military standard is approved for use by all Departments and Agencies of the Department of Defense. Selection for all new engineering and design applications and for repetitive use shall be made from this document.

(A) FOR CHANGES SEE PAGES 3 AND 4

P.A. USAF - 82 Other Cust NAVY - AS	TITLE CONNECTOR, HOSE QUICK DISCONNECT, FEMALE, ANTI "G" SUIT	MILITARY STANDARD	
		MS 27755	
PROCUREMENT SPECIFICATION MIL - C - 7942	SUPERSEDES: AN 6532	SHEET	OF 5

DD FORM 672-1 (COORDINATED)
ASG use only

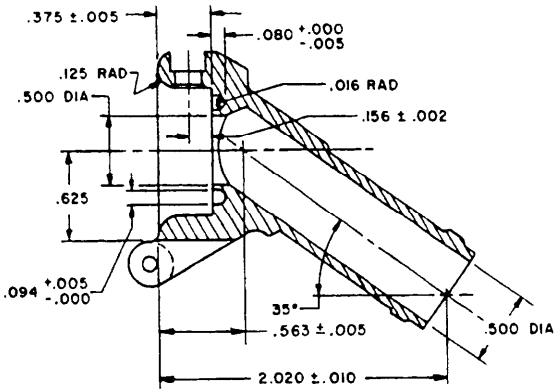
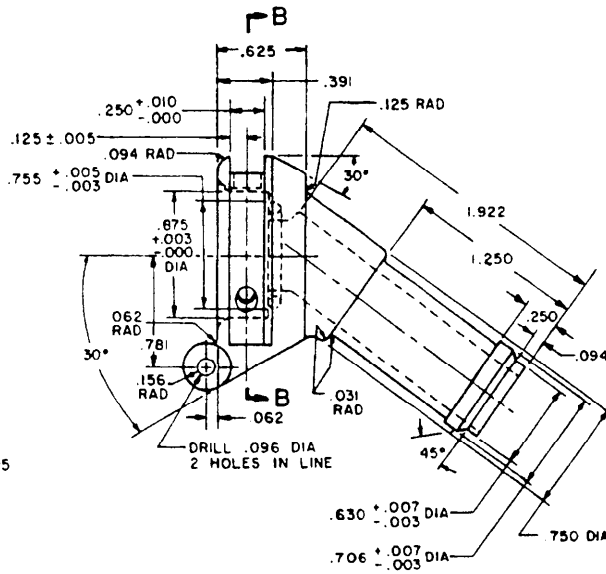
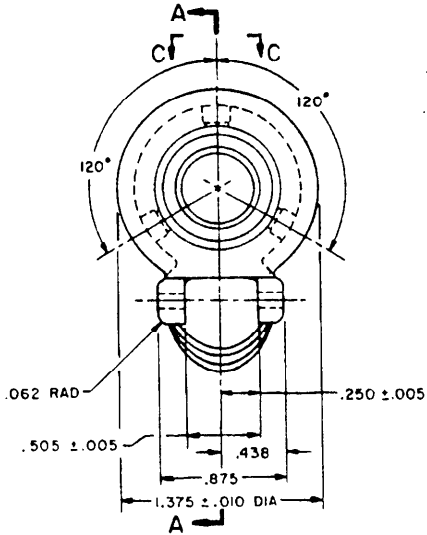
PREVIOUS EDITIONS OF THIS FORM ARE OBSOLETE.

APPROVED 27 FEB 69 REVISED (A) 18 JUL 75

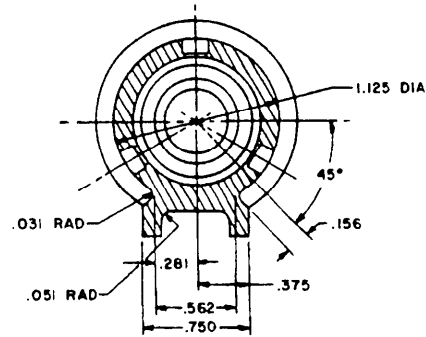
FED. SUP CLASS
4730

DRILL .166 DIA DEPTH SHOWN,
CBORE .189 DIA DEPTH .109,
3 PLACES

VIEW C-C



SECTION A-A



SECTION B-B

MATERIAL: ALUMINUM ALLOY, QQ-A-591, ALLOY 218; ALTERNATE ALLOY 380
FINISH: ANODIZE IN ACCORDANCE WITH MIL-A-8625, TYPE II

BODY

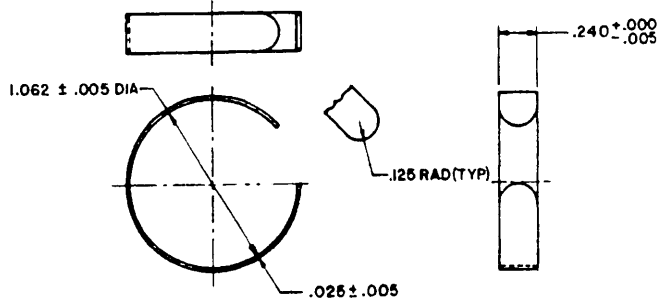
REVIEW ACTIVITIES: DCSC-CS
NAVY - MC

 This military standard is approved for use by all Departments and Agencies of the Department of Defense. Selection for all new engineering and design applications and for repetitive use shall be made from this document.

APPROVED 27 FEB 69 REVISED (A) FOR CHANGES SEE PAGES 3 AND 4

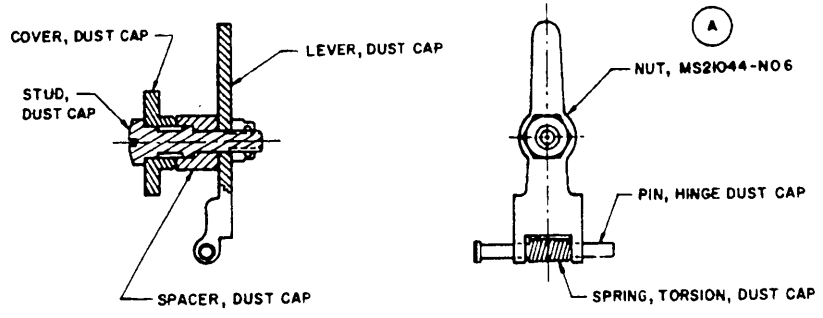
P.A. USAF - 82 Other Cust NAVY - AS	TITLE CONNECTOR, HOSE, QUICK DISCONNECT, FEMALE, ANTI "G" SUIT	MILITARY STANDARD MS27755
PROCUREMENT SPECIFICATION MIL - C - 7942	SUPERSEDES: AN 6532	SHEET 2 OF 5

FED. SUP CLASS
4730

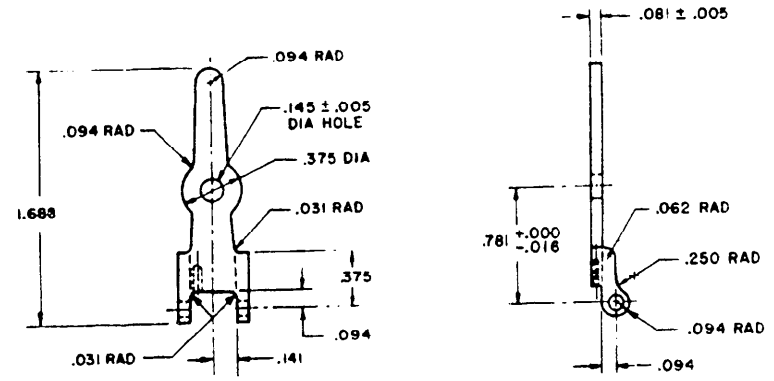


MATERIAL: STEEL, MIL-S-7947.
FINISH: CADMIUM PLATE, QQ-P-416, TYPE I, CLASS 3.
HEAT TREATMENT: ROCKWELL C51-52.
DEVELOPED LENGTH OF SPRING: 2.900

SPRING



DUST CAP ASSEMBLY



MATERIAL: ALUMINUM ALLOY, QQ-A-250/2.
FINISH: ANODIZE IN ACCORDANCE WITH MIL-A-8625, TYPE I OR II.

LEVER, DUST CAP

Review activities: DCSC-CS
NAVY-MC

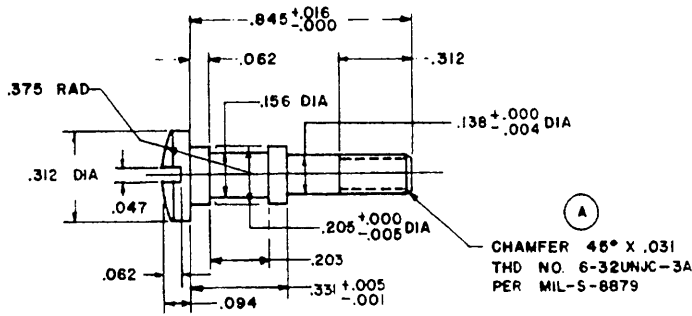
This military standard is approved for use by all Departments and Agencies of the Department of Defense. Selection for all new engineering and design applications and for repetitive use shall be made from this document.

APPROVED 27 FEB 69 REVISED (A) FOR CHANGES SEE PAGES 3 AND 4

P.A. USAF -82 Other Cost NAVY -AS	TITLE CONNECTOR, HOSE, QUICK DISCONNECT, FEMALE, ANTI "G" SUIT	MILITARY STANDARD
		MS 27755
PROCUREMENT SPECIFICATION MIL-C-7942	SUPERSEDES: AN 6532	SHEET 3 OF 5

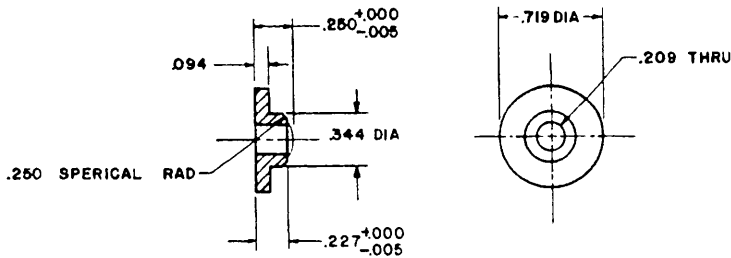
DD FORM 672-1 (COORDINATED)
1 SEP 61
ASG use only

PREVIOUS EDITIONS OF THIS FORM ARE OBSOLETE



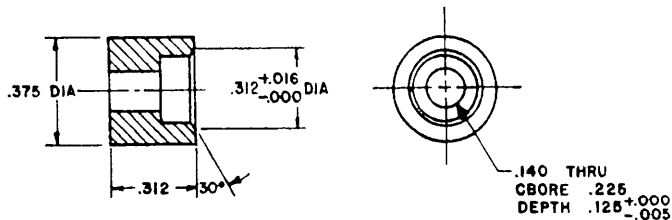
MATERIAL: ALUMINUM ALLOY, QQ-A-225/6 T351.
FINISH: ANODIZE IN ACCORDANCE WITH
MIL-A-8625, TYPE I OR II

STUD, DUST CAP



MATERIAL: ALUMINUM ALLOY, QQ-A-225/6 T351.
FINISH: ANODIZE IN ACCORDANCE WITH
MIL-A-8625, TYPE I OR II

COVER, DUST CAP



MATERIAL: ALUMINUM ALLOY, QQ-A-225/6 T351.
FINISH: ANODIZE IN ACCORDANCE WITH
MIL-A-8625, TYPE I OR II

SPACER, DUST CAP

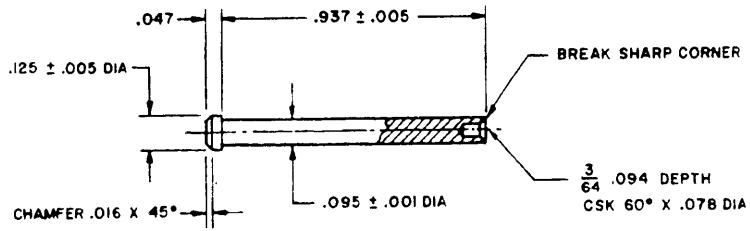
Review activities:
DCSC-CS
NAVY - MC

This military standard is approved for use by all Departments and Agencies of the Department of Defense. Selection for all new engineering and design applications and for repetitive use shall be made from this document.

APPROVED 27 FEB 69 REVISED (A) FOR CHANGES SEE PAGES 3 AND 4

P.A. USAF-82 Other Cust NAVY-AS	TITLE	MILITARY STANDARD
	CONNECTOR, HOSE, QUICK DISCONNECT, FEMALE, ANTI "G" SUIT	MS27755
PROCUREMENT SPECIFICATION MIL-C-7942	SUPERSEDES: AN 8532	SHEET 4 OF 5

FED. SUP CLASS
4730

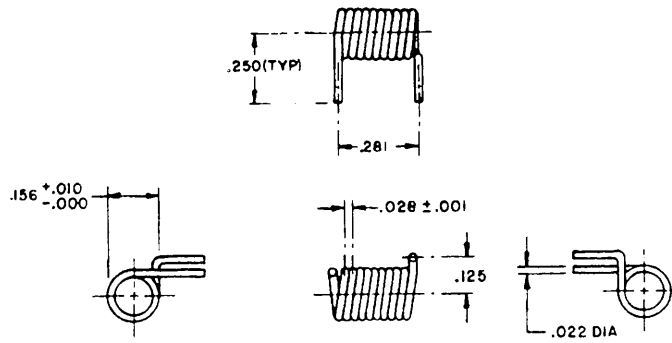


MATERIAL: ALUMINUM ALLOY, QQ-A-225/6, T4.
FINISH: ANODIZE IN ACCORDANCE WITH MIL-A-8625, TYPE I OR II.

PIN, HINGE, DUST CAP

User activities:

Review activities:
DCSC - CS
NAVY-MC



MATERIAL: STEEL WIRE QQ-W-470.
FINISH: CADMIUM PLATE, QQ-P-416, TYPE I, CLASS 1.
TOTAL NO. OF COILS: 9-3/4.
LEFT HAND WOUND, LOOPS IN LINE.
HEAT SPRING 450°F TO 500°F FOR 15 MINUTES AFTER FORMING.

SPRING-TORSION, DUST CAP

This military standard is approved for use by all Departments and Agencies of the Department of Defense. Selection for all new engineering and design applications and for repetitive use shall be made from this document.

APPROVED 27 FEB 69 REVISED (A) FOR CHANGES SEE PAGES 3 AND 4

P.A. USAF -82 Other Code NAVY -AS	TITLE CONNECTOR, HOSE, QUICK DISCONNECT, FEMALE, ANTI "G" SUIT	MILITARY STANDARD
		MS 27755
PROCUREMENT SPECIFICATION MIL-C-7942	SUPERSEDES: AN 6532	SHEET 5 OF 5