

INCH-POUND

MS27722D

7 May 2003

SUPERSEDING

MS27722C

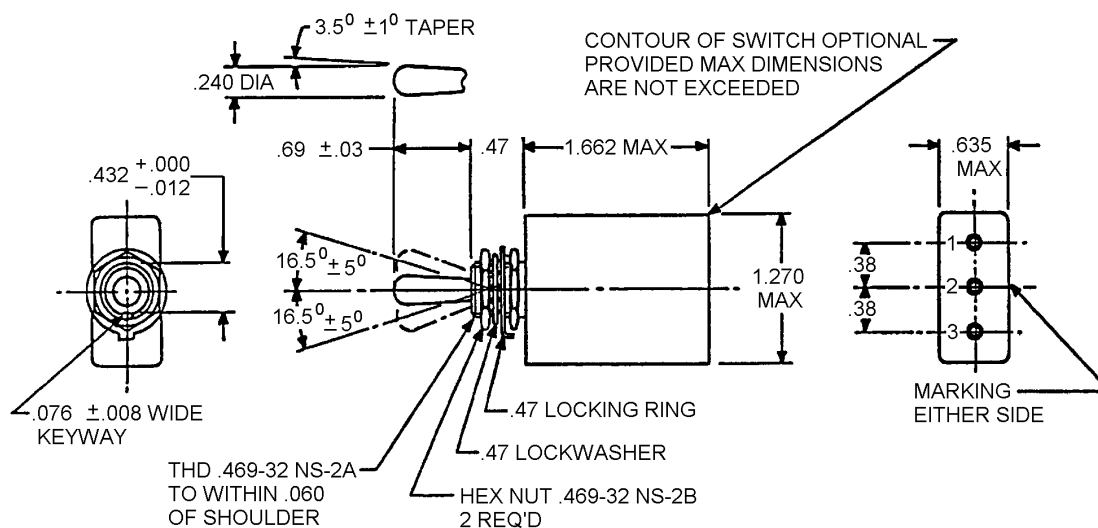
28 September 1987

## MILITARY SPECIFICATION SHEET

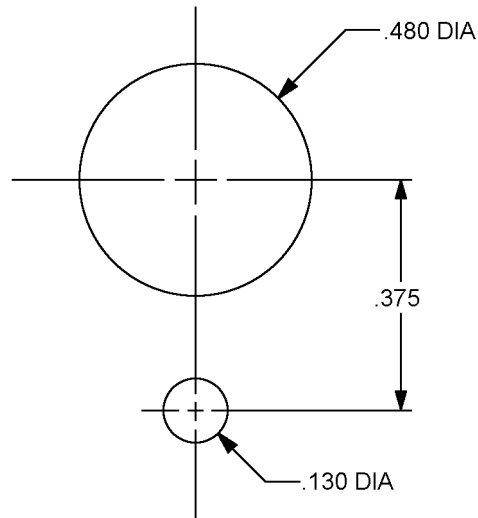
SWITCH, TOGGLE, ONE POLE,  
ENVIRONMENTALLY SEALED, INTEGRATED WIRE TERMINALS

This specification is approved for use by all Departments  
and Agencies of the Department of Defense.

The requirements for acquiring the product described herein  
shall consist of this specification and MIL-S-3950.

FIGURE 1. Dimensions and configuration.

## MS27722D

RECOMMENDED PANEL CUTOUT

Inches	mm	Inches	mm	Inches	mm
.008	0.20	.240	6.10	.47	11.90
.012	0.30	.375	9.52	.480	12.19
.03	0.8	.38	9.70	.635	16.13
.062	1.57	.432	10.97	.69	17.50
.076	1.93	.445	11.30	1.270	32.26
.130	3.30	.469	11.91	1.662	42.21

## NOTES:

1. Dimensions are in inches.
2. Metric equivalents are given for general information only.
3. Unless otherwise specified, tolerance is  $\pm .020$  (0.51 mm) for two place decimals and  $\pm .005$  (0.13 mm) for three place decimals.
4. Contact installing and removal tool in accordance with M81969/14-03.
5. For hardware detail specifications, see appendix of MIL-S-3950
6. Grommet holes or access to grommet holes, on nonfunctional terminals, optional.
7. The terminal end of the switch shall be color coded blue to indicate contact size.
8. Sealing plugs may be used in nonfunctional grommet holes when applicable.

FIGURE 1. Dimensions and configuration

## MS27722D

### REQUIREMENTS:

Switching characteristics: See table I. Direction of movement of internal mechanism is opposite to the direction of the toggle movement.

Maximum weight: .105 pound.

Grommet sealing plug: MS27488-16-1.

Sealing grommet: Sealing grommet shall seal on a smooth wire insulation of .068 (1.73 mm) to .103 (2.62 mm) diameters.

Part or Identifying Number (PIN): See table I.

Electrical ratings: See table I.

Hardware: For detailed specifications, see appendix of MIL-S-3950.

Tests shall be performed in accordance with MIL-S-3950 except:

- a. During all tests, switches shall be fully wired with the appropriate wire and terminal contacts.
- b. Contact Voltage drop: The contract voltage drop with two terminals and the switch contact in series shall not exceed 8 millivolts measured from one wire contact through the contact to the other wire contacts.

## MS27722D

TABLE I. Switching characteristics and electrical ratings.

PIN's	Circuit with toggle lever in			Current capacity (amperes) 28 V dc			Current capacity (amperes) 115 V ac, 60 and 400 Hz		
	Keying side	Center	Opposite keying side	Lamp load	Resistive load	Inductive load	Lamp load	Resistive load	Inductive load
MS27722-21	1-2 On	Off	2-3 On	5	20	15	3	15	10
MS27722-22	Off	None	2-3 On						
MS27722-23	1-2 On	None	2-3 On						
MS27722-24	None	Off	2-3 On						
MS27722-25	None	Mom off	2-3 On	4	15	10	2	15	7
MS27722-26	1-2 Mom on	None	2-3 On						
MS27722-27	1-2 Mom on	Off	2-3 Mom on						
MS27722-28	1-2 Mom on	Off	None						
MS27722-29	Mom off	None	2-3 On						
MS27722-30	1-2 Mom on	None	Off						
MS27722-31	1-2 Mom on	Off	2-3 On						
MS27722-32	None	On 1-2	2-3 Mom on						
MS27722-33	None	On 1-2	2-3 On	5	20	15	3	15	10

Custodians:  
 Air Force - 11  
 Army - CR  
 Navy - AS  
 DLA - CC

Preparing activity:  
 DLA - CC  
 (Project 5930-1737)

Review activities:  
 Air Force - 99  
 Army - AR, AV, EA, MI  
 Navy - MC