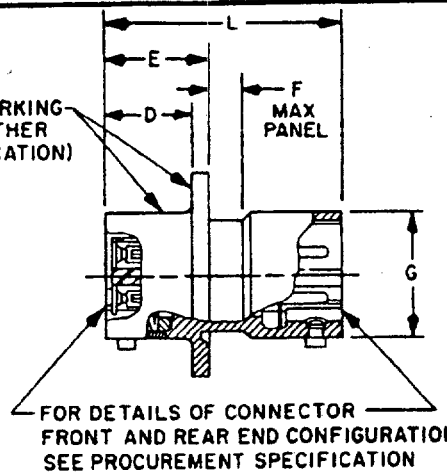
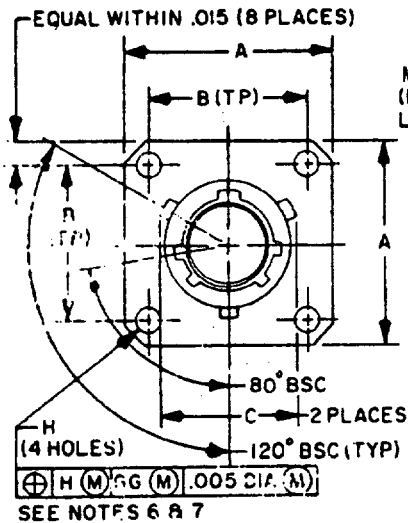


User activities: Army - OS  
Navy - OS  
Air Force -

Review activities: Army - MI, AR  
Navy - EC, MC, OS  
Air Force - 11, 15, 17, 99  
DIA - FS

This military standard is approved for use by all Departments and Agencies of the Department of Defense. Selection for all new engineering and design applications and for repetitive use shall be made from this document when applicable.



FED. SUP CLASS  
5935

NOTE: APPROVAL OF THIS FINAL DRAFT IS SUBJECT TO PREPARING ACTIVITY REVIEW. DO NOT USE FOR PROCUREMENT PURPOSES.

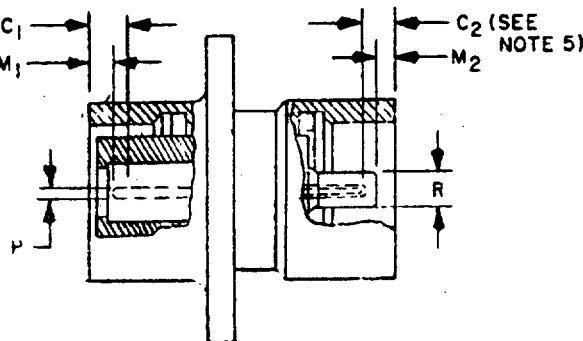


TABLE II. Operating voltage.

Service ratings	Operating voltage (sea level)	
	AC (rms)	DC
M	400	550
I	600	850
II	900	1250

TABLE I.

Shell size	A ±.020	B (TP)	C +.000 -.016	D +.000 -.005	E +.006 -.001	F MAX 1/	G +.001 -.005	H +.010 -.005	L MAX
8	.812	.594	.563	↑	↑	↑	.473	↑	↑
10	.938	.719	.680	↑	↑	↑	.590	↑	↑
12	1.031	.812	.859	↑	↑	↑	.750	↑	↑
14	1.125	.906	.984	↑	↑	↑	.875	↑	↑
16	1.219	.969	1.108	.322	.380	.125	1.000	.120	.835
18	1.312	1.062	1.233	↑	↑	↑	1.125	↑	↑
20	1.438	1.156	1.358	↑	↑	↑	1.250	↑	↑
22	1.562	1.250	1.483	↑	↑	↑	1.375	↑	↑
24	1.688	1.375	1.610	↑	↑	↑	1.500	.147	↑

1/ F dimension excludes mounting hardware.

TABLE III. Additional dimensional requirements when insert arrangement contains shielded contacts.

C <sub>1</sub>	M <sub>1</sub>	C <sub>2</sub>	M <sub>2</sub>	Contact size	P Dia	R Dia
.111 Max	.095 .059	.098 Max	.067 .031	12	.0200 ±.0005	.094 ±.001

For changes see pages 1 & 2

CANCELED WITH NO SUPERSEDING STANDARD

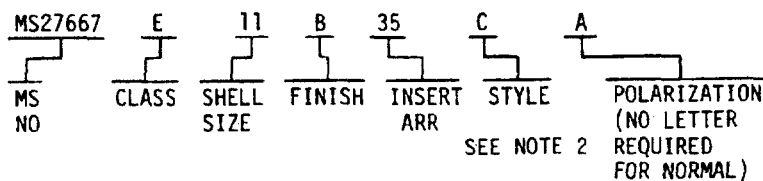
P.A AF - 85	International interest	TITLE CONNECTOR, ELECTRICAL, RECEPTACLE, THRU-BULKHEAD, BAYONET COUPLING, SERIES II	MILITARY STANDARD
Other Cust Army - CR Navy - AS			MS27667
Procurement Specification MIL-C-38999		SUPERSEDES: MS0027667(USAF)	PAGE 1 OF 2

APPROVED 10 Nov 1972 REVISED (A) 7 Sep 1973 (B) 26 Mar 1974 (C) 2 Jan 1976 (D) 10 NOVEMBER 1978 (E) 9 MAR 88

REQUIREMENTS: In addition to the requirements of MIL-C-38999, the connector shall meet the following requirements:

1. Contact resistance shall be 125 percent of that specified in table V of MIL-C-39029.
2. Connectors shall show no leakage in excess of one atmospheric cubic inch of air per hour ( $4.55 \times 10^{-3} \text{ cm}^3/\text{s}$ ) when subjected to a pressure differential of one atmosphere across the connector as specified in MIL-C-27599 for class T.
3. Dimensional requirements using shielded contacts shall be as shown in table III.

EXAMPLE OF PART NUMBER



INCHES		MM		INCHES		MM		INCHES		MM		INCHES		MM	
.0005	.013	.094	2.39	.590	14.99	.969	24.61	1.312	33.32						
.001	.03	.095	2.41	.594	15.09	.984	24.99	1.358	34.49						
.005	.13	.098	2.49	.680	17.27	1.000	25.40	1.375	34.92						
.006	.15	.111	2.82	.719	18.26	1.031	26.19	1.438	36.53						
.010	.25	.120	3.05	.750	19.05	1.062	26.97	1.483	37.67						
.011	.28	.125	3.18	.812	20.62	1.108	28.14	1.500	38.10						
.016	.41	.147	3.73	.835	21.21	1.125	28.58	1.562	39.67						
.020	.51	.322	8.18	.859	21.82	1.156	29.36	1.610	40.89						
.031	.79	.380	9.65	.875	22.22	1.219	30.96	1.688	42.88						
.059	1.50	.423	10.74	.906	23.01	1.233	31.32								
.067	1.70	.563	14.30	.938	23.83	1.250	31.75								

NOTES:

1. Dimensions are in inches.
2. In example of part number, style C indicates feed through contacts.
3. This standard takes precedence over procurement documents referenced herein.
4. Referenced documents shall be of the issue in effect on date of invitation for bid.
5. C<sub>1</sub> and C<sub>2</sub> locate the points at which a gage pin, having the same basic diameter as the contact and a square face, touches the socket contact spring.
6. The gage feature for GG shall be .010 smaller than the MMC size at basic location.
7. For main key and keyway positions, see figure 1 of MIL-C-38999.
8. Metric equivalents are given for general information only and are based upon 1.00 inch = 25.4 mm.
9. For insert arrangements see MIL-STD-1560.
10. Operating voltages are listed in table II for guidance.

User activities: Army - MI, AR; Navy - EC, MC, OS; Air Force - 11, 15, 17, 99; DLA - ES  
 Review activities: Army - MI, AR; Navy - EC, MC, OS; Air Force - 11, 15, 17, 99; DLA - ES  
 his military standard is approved for use by all Departments and Agencies of the Department of Defense. Selection for all new engineering and design applications and for repetitive use shall be made from this document when applicable.

P.A AF - 85	International interest	TITLE	MILITARY STANDARD
Other Cust Army - CR Navy - AS		CONNECTOR, ELECTRICAL, RECEPTACLE, THRU-BULKHEAD, BAYONET COUPLING, SERIES II	MS27667
Procurement Specification MIL-C-38999		SUPERSEDES: MS0027667(USAF)	PAGE 2 OF 2