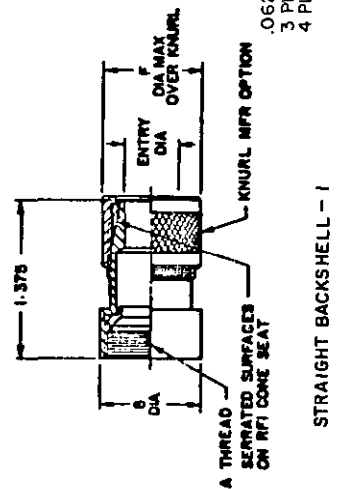
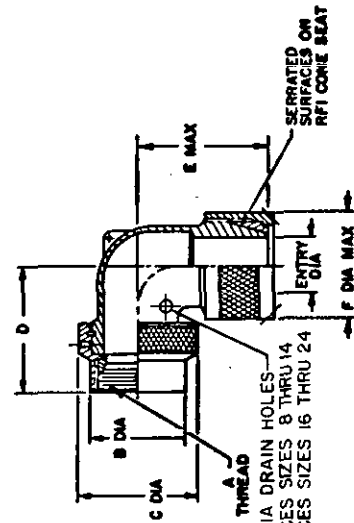
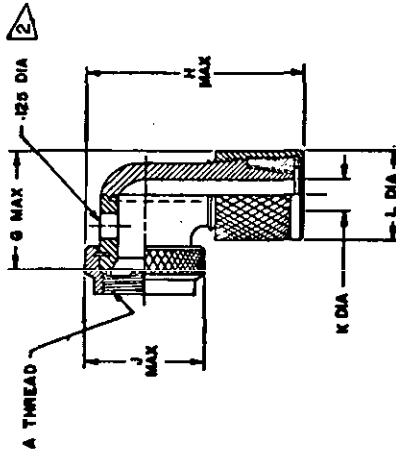


Reviewer activities: Army AR, MI
Navy - EC, MC, OS
Air Force - 11, 15, 80, 17
DSA - ES

User activities: Army
Navy
Air Force

This military standard is approved for use by all Departments and Agencies of the Department of Defense. Selection for all new engineering and design applications and for repetitive use shall be made from this document when applicable.



RIGHT ANGLE LONG BACKSHELL - 2

FINISH B OR F

RIGHT ANGLE SHORT BACKSHELL
3 WITHOUT ENCAPSULATING HOLES
4 WITH ENCAPSULATING HOLES

(B) denotes changes

TABLE I.

Shell size	A Thread UNEF-2B	B dia	C dia	D	E	F dia	G	H	J	K	L	M	N	P	Entry dia
8/9	7/16 - 28	.562	.84	1.14	1.27	.781	.600	1.130	.656	.156	.440	.66	1.50	1.344	.281
10/11	9/16 - 24	.687	1.09	1.20	1.31	.843	.720	1.500	.800	.250	.645	.77	1.75	1.344	.343
12/13	11/16 - 24	.812	1.09	1.27	1.31	.937	.880	1.690	.940	.325	.760	.93	1.88	1.344	.437
14/15	13/16 - 20	.937	1.21	1.33	1.38	1.062	1.015	1.937	1.062	.406	.850	1.07	2.50	1.344	.562
16/17	15/16 - 20	1.062	1.39	1.39	1.44	1.125	1.140	2.125	1.250	.500	.980	1.19	2.63	1.344	.625
18/19	1-1/16 - 18	1.187	1.65	1.45	1.59	1.187	1.265	2.375	1.390	.562	1.047	1.31	2.89	1.344	.687
20/21	1-3/16 - 18	1.312	1.65	1.52	1.59	1.250	1.375	2.562	1.500	.625	1.109	1.42	3.00	1.422	.750
22/23	1-5/16 - 18	1.437	1.94	1.58	1.76	1.375	1.600	2.700	1.650	.812	1.356	1.65	3.25	1.422	.875
24/25	1-7/16 - 18	1.562	1.94	1.56	1.76	1.500	1.718	2.850	1.850	.937	1.481	1.88	3.38	1.422	1.000

(B) CANCELED AFTER 10 MARCH 81,
NO SUPERSEDING DOCUMENT.

APPROVED 14 NOV 1972 REVISED (A) 2 JAN 1976 (B) 10 MAR 1981

P.A. AF-85	International interest	TITLE	MILITARY STANDARD
Other Cust Army CR	Navy - AS	BACKSHELL, CONNECTOR, ELECTRICAL, EMI, SERIES I AND II	MS 27666
Procurement Specification MIL-C-38999	SUPERSEDES:		PAGE 1 OF 1