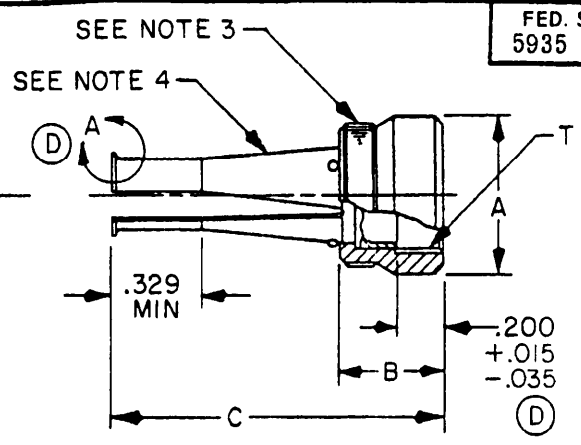
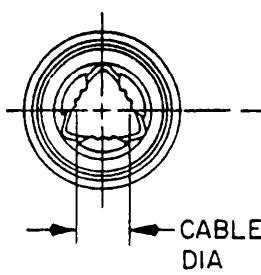
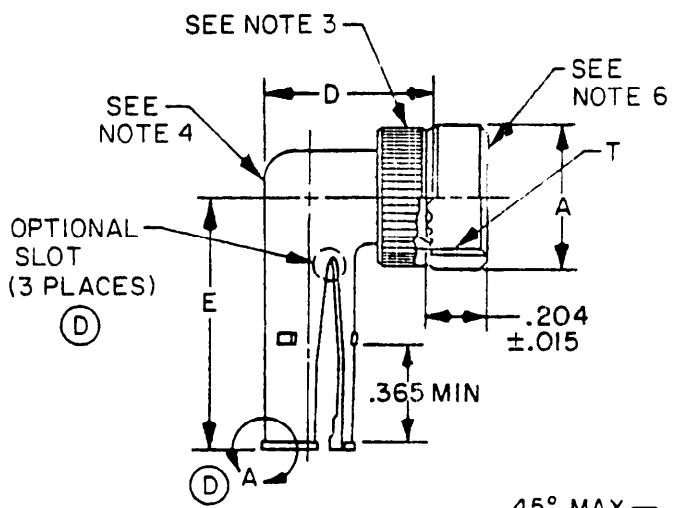
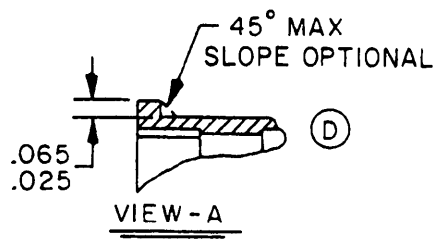


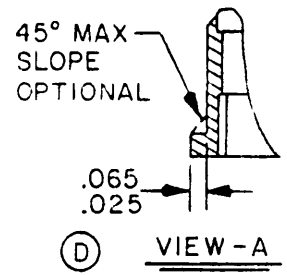
FED. SUP CLASS
5935



-1 STRAIGHT



-2 RIGHT ANGLE



MS27663 B 16 -1
MS FINISH SHELL ADAPTER
NO NO SIZE SIZE GEOMETRY
-1 STRAIGHT
-2 RIGHT ANGLE
EXAMPLE OF PART NUMBER

Ⓧ INACTIVE FOR DESIGN AFTER 5 MARCH 1983. DOCUMENT WILL BE CANCELLED AFTER 1 JULY, 1984, USE MIL-C-85049/45 and /46.

Ⓧ DENOTES CHANGES

This military standard is approved for use by all Departments and Agencies of the Department of Defense. Selection for all new engineering and design applications and for repetitive use shall be made from this document.

Reviewer activities:
Army - MI, AR
Navy - EC, MC, OS
Air Force - II, 15, 17, 99
DLA - ES

P.A. AF-85	International Interest	TITLE ADAPTER, ELECTRICAL CONNECTOR, NONMETALLIC, SERIES I & II	MILITARY STANDARD
Other Cust ARMY - CR NAVY - AS		SUPERSEDES: MS27663 (USAF)	MS27663
Procurement Specification MIL-C-38999			PAGE 1 OF 2

APPROVED 14 DEC 71 REVISED 13 AUG 74 2 JAN 1976 5 MAR 83

FED. SUP CLASS
5935

SHELL SIZE		A MAX	B MAX	C MAX	D MAX	E MAX	CABLE DIAMETER		T (THREAD) CLASS 2B UNEF
Series II	Series I						MIN	MAX	
8	9	.578	.422	1.344	.656	1.015	.094	.203	.4375-28
10	11	.703	.422	1.344	.688	1.062	.141	.250	.5625-24
12	13	.828	.422	1.344	.750	1.125	.172	.323	.6875-24
14	15	.953	.422	1.344	.859	1.328	.203	.422	.8125-20
16	17	1.078	.422	1.344	.937	1.392	.234	.500	.9375-20
18	19	1.203	.422	1.344	1.000	1.453	.265	.562	1.0625-18
20	21	1.328	.422	1.422	1.062	1.609	.297	.625	1.1875-18
22	23	1.453	.422	1.422	1.141	1.656	.328	.703	1.3125-18
24	25	1.578	.344	1.422	1.203	1.719	.359	.765	1.4375-18

INCHES	MM	INCHES	MM	INCHES	MM	INCHES	MM
.015	.38	.265	6.73	.625	15.88	1.078	27.38
.025	.64	.297	7.54	.656	16.66	1.125	28.58
.035	.89	.323	8.20	.688	17.48	1.141	28.98
.065	1.65	.328	8.33	.703	17.86	.203	30.56
.094	2.39	.329	8.36	.750	19.05	1.328	33.73
.141	3.58	.344	8.74	.765	19.43	1.344	34.14
.172	4.37	.359	9.12	.828	21.03	1.392	35.36
.200	5.08	.365	9.27	.859	21.82	1.422	36.12
.203	5.16	.422	10.72	.937	23.80	1.453	36.91
.204	5.18	.500	12.70	.953	24.21	1.578	40.08
.234	5.91	.562	14.27	1.000	25.40	1.609	40.87
.250	6.35	.578	14.68	1.015	25.78	1.656	42.06
				1.062	26.97	1.719	43.66

NOTES:

- Dimensions are in inches.
- Metric equivalents are given for general information only and are based upon 1.00 inch = 25.4 mm.
- Nut: Aluminum alloy in accordance with QQ-A-591 or QQ-A-225.
- Cable Support: Nonmetallic.
- Requirements:
 - Adapter shall meet the performance requirements of MIL-C-38999 and as specified herein.
 - Flammability: Self extinguishing in accordance with ASTM D635.
 - Toxicity: Parts shall be non-toxic.
 - Fungus resistance in accordance with MIL-STD-810, method 508.
 - Temperature rating: -65 F to +250 F continuous, 345 F for 10 minute intervals, and 420 F for 1 minute intervals. Estimate cumulative life, 24 hours at 345 F and 7 hours at 420 F.
 - Finish: B or C in accordance with MIL-C-38999.
- Positions of slots relative to opposite opening is optional.
- This standard takes precedence over documents referenced herein.
- Referenced documents shall be of the issue in effect on date of invitation for bid.
- Parts will be identified with the series II numbers. For series I applications, use the equivalent series II part (e.g. for series I size 9 application, use series II size 8 part).

Reviewer activities: Army - MI, AR
Navy - EC, MC, OS
Air Force - II, 15, 17, 99
DLA - ES

This military standard is approved for use by all Departments and Agencies of the Department of Defense. Selection for all new engineering and design applications and for repetitive use shall be made from this document.

APPROVED 14 DEC 71 REVISED © FOR CHANGES SHEETS 1 & 2 (D) FOR CHANGES SEE PAGES 1 & 2

P.A. AF-85	International interest	TITLE	MILITARY STANDARD
Other Cust ARMY - CR NAVY - AS		ADAPTER, ELECTRICAL CONNECTOR, NONMETALLIC, SERIES I & II	MS27663
Procurement Specification MIL-C-38999		SUPERSEDES:	PAGE 2 OF 2