

FED. SUP CLASS
5935

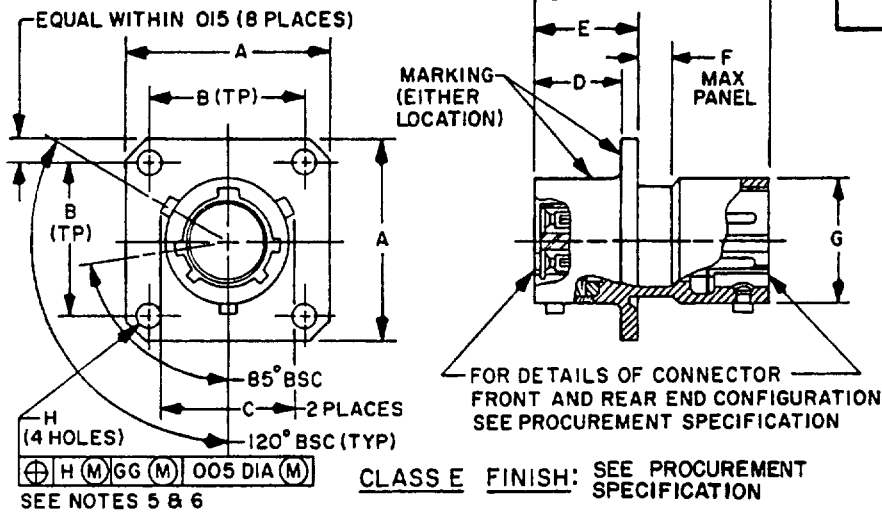


TABLE I.

Shell size	A ± .020	B (TP)	C + .000 - .016	D + .000 - .005	E + .006 - .001	F MAX 1/	G + .001 - .005	H + .010 - .005	L MAX
9	.938	.719	.662	↑	↑	↑	.572	↑	↑
11	1.031	.812	.810				700		
13	1.125	.906	.960				850		
15	1.219	.969	1.085	632	.717	125	975	.128	1.614
17	1.312	1.062	1.210				1.100		
19	1.438	1.156	1.317	602	↓	↓	1.207	↓	↓
21	1.562	1.250	1.442				1.332		
23	1.688	1.375	1.567	602	↓	↓	1.457	147	↓
25	1.812	1.500	1.692	602			1.582	147	

1/ F dimension excludes mounting hardware.

INCHES	MM	INCHES	MM	INCHES	MM	INCHES	MM	INCHES	MM
.001	.03	.602	15.29	.938	23.83	1.207	30.66	1.457	37.01
.005	.13	.632	16.05	.960	24.83	1.210	30.73	1.500	38.10
.006	.15	.662	16.81	.969	24.61	1.219	30.96	1.559	39.60
.010	.25	.700	17.78	.975	24.76	1.250	31.75	1.562	39.67
.011	.28	.717	18.21	1.031	26.19	1.312	33.32	1.567	39.80
.016	.41	.719	18.26	1.062	26.97	1.317	33.45	1.582	40.18
.125	3.18	.810	20.57	1.085	27.56	1.332	33.83	1.614	41.00
.128	3.25	.812	20.62	1.100	27.94	1.375	34.92	1.688	42.88
.147	3.73	.850	21.59	1.125	28.58	1.438	36.53	1.692	42.98
.572	14.53	.906	23.01	1.156	29.36	1.442	36.63	1.812	46.02

For changes see pages 1 & 2

P A AF - 85	International Interest	TITLE	MILITARY STANDARD
Other Cust Army - CR Navy - AS		CONNECTOR, RECEPTACLE, ELECTRICAL, THRU-BULKHEAD MOUNTING, BAYONET COUPLING, SERIES I	MS27662
Procurement Specification MIL-C-38999		SUPERSEDES	PAGE 1 OF 2

This military standard is approved for use by all Departments and Agencies of the Department of Defense. Selection for all new engineering and design applications and for repetitive use shall be made from this document when applicable.

Review activities: Army - AR, MI; Navy - EC, MC, OS; Air Force - 11, 15, 17, 99; DLA-ES

User activities: Army - OS; Navy - OS; Air Force -

APPROVED 14 Nov 1972 REVISED (A) 7 Sep 1973 (B) 2 Jan 1976 (C) 10 NOVEMBER 1978 (D) 6 FEB 85

FED SUP CLASS
5935

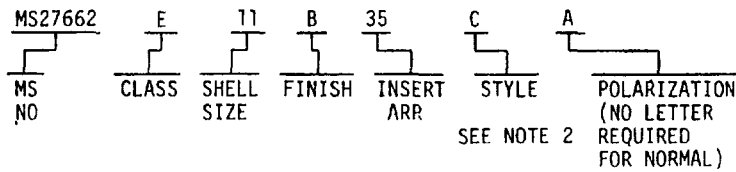
REQUIREMENTS In addition to the requirements of MIL-C-38999, the connector shall meet the following requirements

1. Contact resistance shall be 125 percent of that specified in table V of MIL-C-39029
2. Connectors shall show no leakage in excess of one atmospheric cubic inch of air per hour ($4.55 \times 10^{-3} \text{ cm}^3/\text{s}$) when subjected to a pressure differential of one atmosphere across the connector as specified in MIL-C-27599 for class T

TABLE II Operating voltage

Service ratings	Operating voltage (sea level)	
	AC(rms)	DC
M	400	550
I	600	850
II	900	1250

EXAMPLE OF PART NUMBER



NOTES.

1. Dimensions are in inches.
2. In example of part number, style C indicates feed through contacts.
3. This standard takes precedence over procurement documents referenced herein.
4. Referenced documents shall be of the issue in effect on date of invitation for bid.
5. The gage feature for GG shall be .010 smaller than the MMC size at basic location.
6. For main key and keyway positions, see MIL-C-38999.
7. Metric equivalents are given for general information only.
8. For insert arrangements see MIL-STD-1560.
9. Operating voltages are listed in table II for guidance.

Ⓚ

This military standard is approved for use by all Departments and Agencies of the Department of Defense. Selection for all new engineering and design applications and for repetitive use shall be made from this document when applicable.

User activities

Army - AR, MI
 Navy - EC, MC, OS
 Air Force - TI, 15, 17, 99
 DLA-ES

Review activities

Army - OS
 Navy - OS
 Air Force -

REVISED Ⓚ For changes see pages 1 & 2

APPROVED 14 Nov 1972

P A AF - 85 Other Cust Army - CR Navy - AS	International interest	TITLE CONNECTOR, RECEPTACLE, ELECTRICAL, THRU-BULKHEAD MOUNTING, BAYONET COUPLING, SERIES I	MILITARY STANDARD
			MS27662
Procurement Specification MIL-C-38999	SUPERSEDES		PAGE 2 OF 2