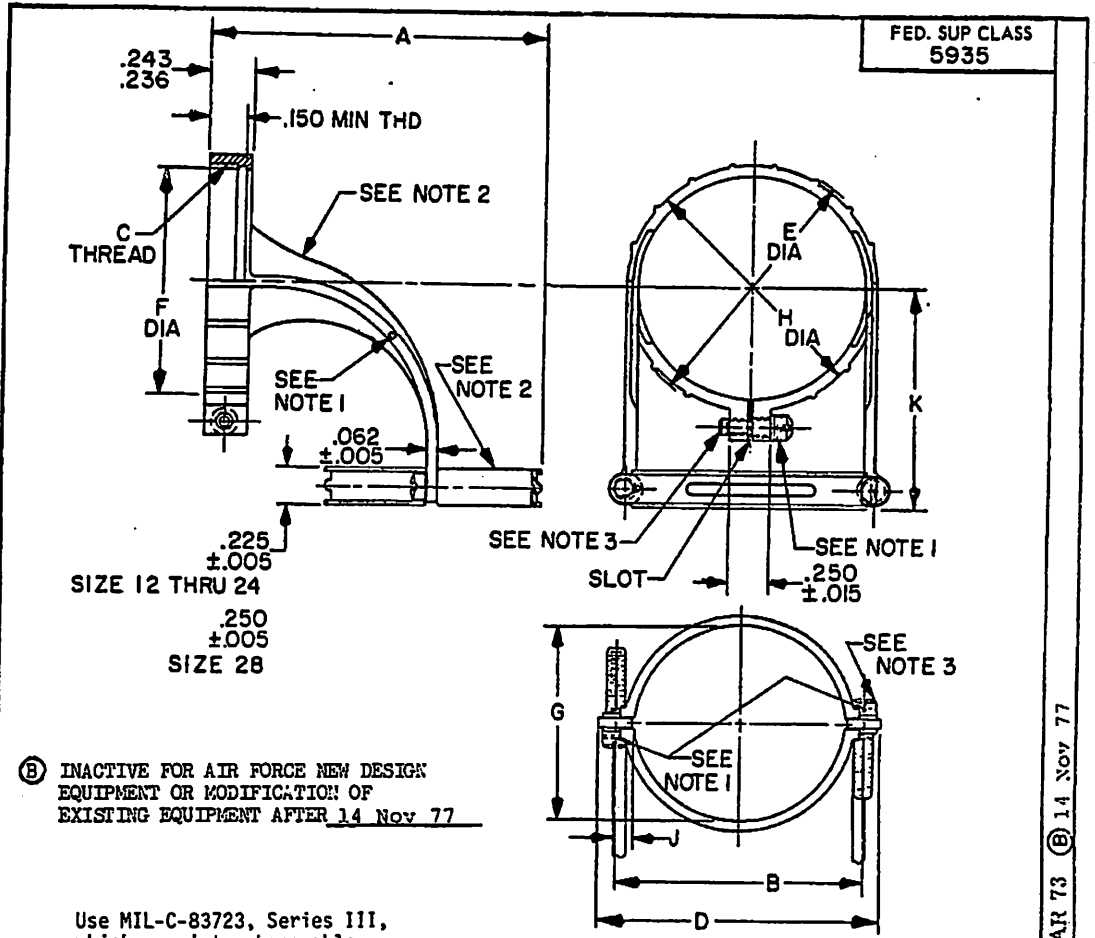


Reviewer activities: AF - 11, 17, 90
DLA - 15

This military standard is approved for use by Engineering and Technical Support Division, AFLC/LOIE, Department of the Air Force and is available for use by all Departments and Agencies of the Department of Defense.



ⓑ INACTIVE FOR AIR FORCE NEW DESIGN EQUIPMENT OR MODIFICATION OF EXISTING EQUIPMENT AFTER 14 Nov 77

Use MIL-C-83723, Series III, which are interchangeable.

Military part number	Shell size	A max.	B ±.010	C nom. -36NS-2B	D ±.015	E ±.010	F ±.010	G ±.015	H ±.015	J ±.010	K max.
MS27659-12	12	1.298	.677	.7334	.863	.788	.643	.435	.768	.094	.950
MS27659-14	14	1.388	.748	.8032	.934	.862	.717	.504	.842	.094	1.010
MS27659-16	16	1.523	.923	.9302	1.109	.989	.844	.686	.969	.115	1.070
MS27659-18	18	1.822	1.039	1.0362	1.225	1.095	.950	.794	1.075	.118	1.130
MS27659-22	22	1.878	1.298	1.2862	1.484	1.345	1.200	1.038	1.325	.126	1.260
MS27659-24	24	2.000	1.427	1.4111	1.613	1.595	1.325	1.162	1.575	.128	1.320
MS27659-28	28	2.250	1.658	1.6611	1.844	1.845	1.575	1.412	1.825	.126	1.440

NOTES:

- .037 ± .005 DIA safety wire hole in body and screws.
- Material: Cable clamp - passivated stainless steel.
Clamp sector - passivated 300 series stainless steel.
- Screw; No. 4-40 fillister head machine, stainless steel.
- All dimensions are in inches and are after plating.
- Referenced documents shall be of the issue in effect on date of invitation for bid.
- For design feature purposes this standard takes precedence over procurement documents referenced herein.

ⓑ DENOTES CHANGE

P.A. AF-85 Other Cust	International interest	TITLE 90° SUPPORT, CABLE, ELECTRICAL CONNECTOR (FOR CLASS E AND K CONNECTORS)	MILITARY STANDARD MS 27659(USAF)
Procurement Specification MIL-C-26500	SUPERSEDES:		PAGE 1 OF 1

DD FORM 1 SEP 63 672 (LIMITED COORDINATION)

5935 - A063-16

APPROVED 15 Nov 71 REVISED (A) 12 MAR 73 (B) 14 Nov 77

FED. SUP CLASS 5935