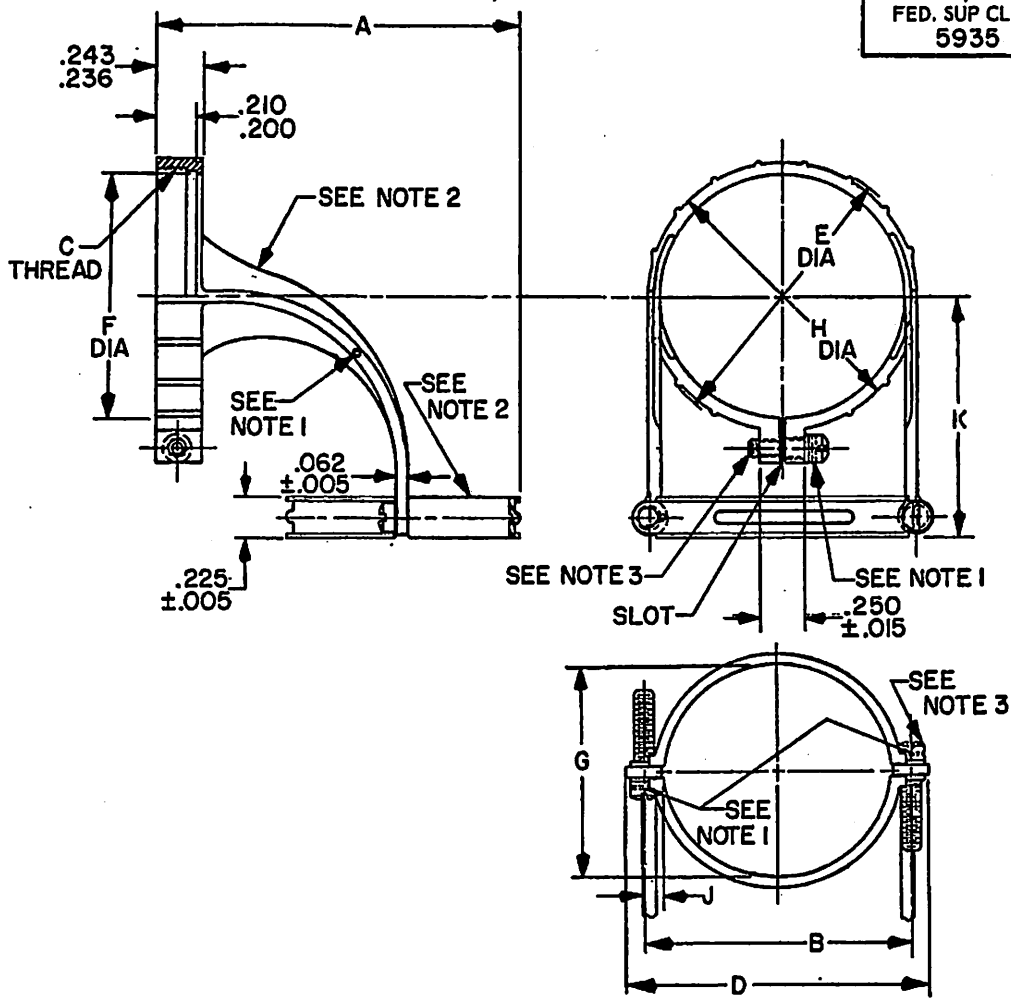


FED. SUP CLASS
5935



Military part number	Shell size	A max.	B ± .010	C nom. -36NS-2B	D ± .015	E ± .010	F ± .010	G ± .015	H ± .015	J ± .010	K max.
MS27659-12	12	1.298	.677	.7334	.863	.788	.643	.435	.768	.094	.950
MS27659-14	14	1.388	.748	.8032	.934	.862	.717	.504	.842	.094	1.010
MS27659-16	16	1.523	.923	.9302	1.109	.989	.844	.686	.969	.115	1.070
MS27659-18	18	1.622	1.039	1.0362	1.225	1.095	.950	.794	1.075	.118	1.130
MS27659-22	22	1.878	1.298	1.2862	1.484	1.345	1.200	1.038	1.325	.126	1.260
MS27659-24	24	2.000	1.427	1.4111	1.613	1.595	1.325	1.182	1.575	.128	1.320
MS27659-28	28	2.250	1.658	1.6611	1.844	1.845	1.575	1.412	1.825	.126	1.380

NOTES:

- .037 ± .005 DIA safety wire hole in body and screws.
- Material: Cable clamp - passivated stainless steel.
Clamp sector - passivated 300 series stainless steel.
- Screw; No. 4-40 fillister head machine, stainless steel.
- All dimensions are in inches and are after plating.
- Referenced documents shall be of the issue in effect on date of invitation for bid.
- For design feature purposes this standard takes precedence over procurement documents referenced herein.

This standard has been approved by Department of the AF and is mandatory for use by that activity. All other military activities are required to employ this standard where suitable.

P.A. AF-17 Other Cust	International Interest	TITLE 90° SUPPORT, CABLE, ELECTRICAL CONNECTOR (FOR CLASS E AND K CONNECTORS)	MILITARY STANDARD MS 27659(USAF)
Procurement Specification MIL-C-26500	SUPERSEDES:	SHEET 1	

DD FORM 672 (LIMITED COORDINATION)
1 SEP 63

5935 - F 747

APPROVED 15 Nov 71 REVISED