

INCH-POUND

MS27656E
 2 February 2012
 SUPERSEDING
 MS27656D
 12 July 2002

DETAIL SPECIFICATION SHEET

CONNECTORS, RECEPTACLE, ELECTRICAL, BACK PANEL, WALL MOUNTING FLANGE, CRIMP TYPE, BAYONET COUPLING, SERIES I

This specification is approved for use by all Departments and Agencies of the Department of Defense.

The requirements for acquiring the product described herein shall consist of this specification sheet and MIL-DTL-38999.

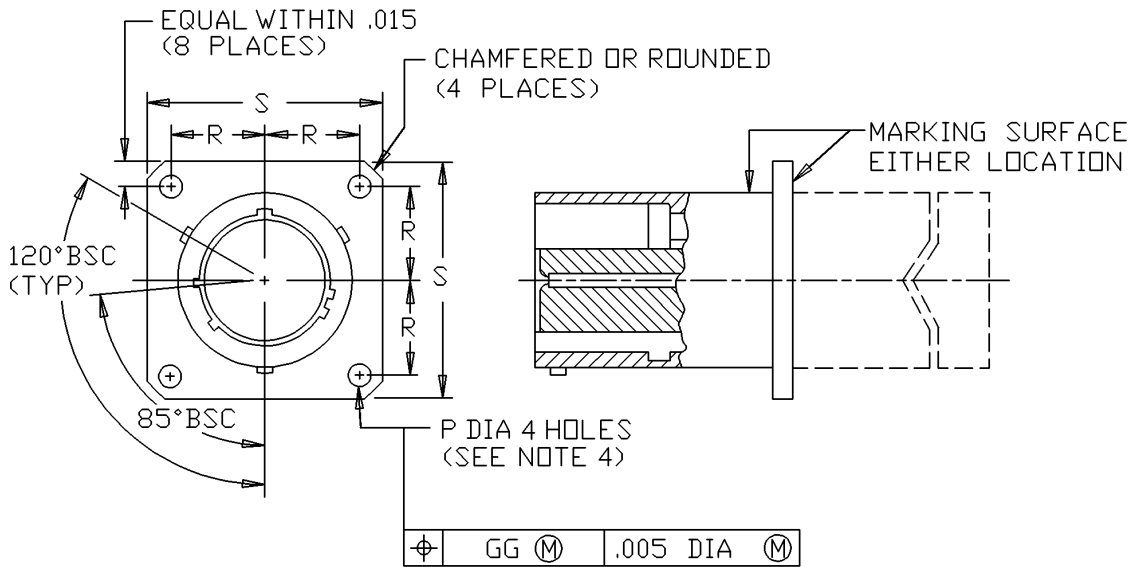
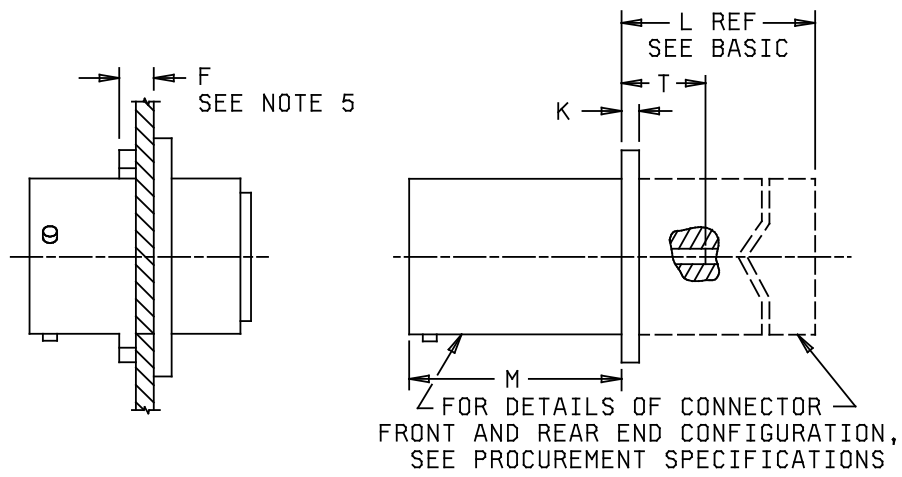


FIGURE 1. Receptacle, classes E, T and P.

MS27656E



Shell size	F max	K +.015 -.000	L (class E) max see basic	L (class P) max see basic	L (class T) max see basic	M +.000 -.005	P dia +.010 -.005	R BSC	S ± .020	T max
9	.234	.085	.469	.719	.469	.820	.128	.3595	.938	.156
11								.406	1.031	
13								.453	1.125	
15								.4845	1.219	
17								.531	1.312	
19								.578	1.438	
21	.204	.115	.500	.750	.500	.790	.147	.625	1.562	.188
23	.6875							1.688		
25	.193							.750	1.812	

FIGURE 1. Receptacle, classes E, T and P - Continued.

MS27656E

Inches	mm	Inches	mm	Inches	mm	Inches	mm
.005	0.13	.193	4.90	.560	14.22	1.125	27.58
.007	0.18	.204	5.18	.578	14.68	1.219	30.96
.010	0.25	.234	5.94	.625	15.88	1.312	33.32
.015	0.38	.3595	9.13	.6875	17.46	1.438	36.53
.020	0.51	.406	10.31	.719	18.26	1.562	39.67
.085	0.79	.453	11.51	.750	19.05	1.688	42.88
.115	2.92	.469	11.91	.790	20.07	1.812	46.02
.128	3.25	.4845	12.31	.820	20.83		
.156	3.96	.500	12.70	.938	23.83		
.188	4.78	.531	13.49	1.031	26.19		

NOTES:

1. Dimensions are in inches.
2. Metric equivalents are given for information only.
3. For main keyway and keyway positions, see MIL-DTL-38999.
4. The gauge features for GG shall be .010 (0.25 mm) smaller than the MMC size at basic location.
5. Maximum panel thickness including mounting hardware.

FIGURE 1. Receptacle, classes E, T and P - Continued.

REQUIREMENTS:

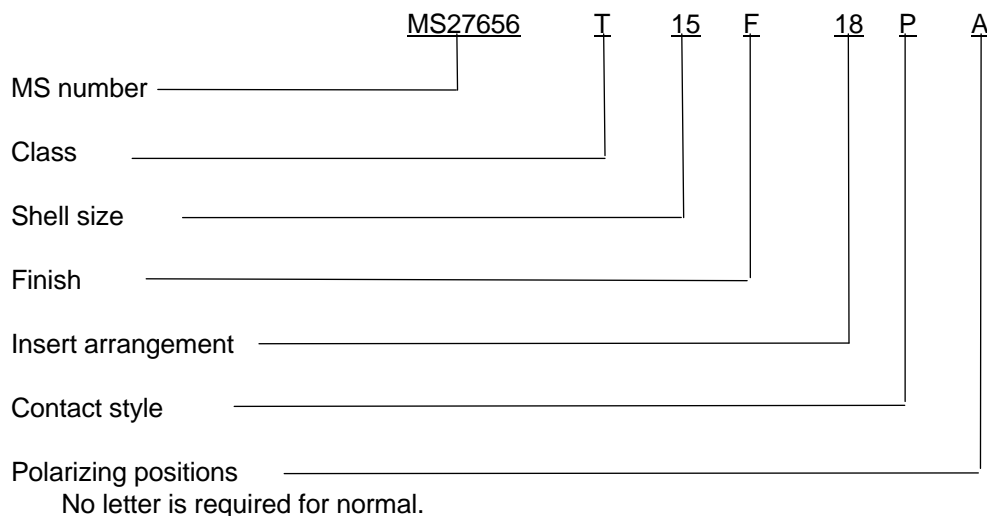
Dimensions and configuration: See figure 1.

Interface dimensions shall be in accordance with MIL-DTL-38999.

Mating connectors: MS27467, MS27653 and MS27661.

Insert arrangements: See MIL-STD-1560.

Part or Identifying Number (PIN) example:



MS27656E

Specification restrictions

Navy	Army	Air Force
Class E is inactive for new design.	For ground equipment only, class E is inactive for new design.	Classes E and P are inactive for new design.

Changes from previous issue. Marginal notations are not used in this revision to identify changes with respect to the previous issue, due to the extent of the changes.

Referenced documents. In addition to MIL-DTL-38999, this document references the following:

MIL-STD-1560
MS27467
MS27661
MS27653

CONCLUDING MATERIAL

Custodians:

Army - CR
Navy - AS
Air Force - 85
DLA - CC

Preparing activity:
DLA - CC

(Project 5935-2012-023)

Review activities:

Army - AR, MI
Navy - EC, MC, OS
Air Force - 19, 99

NOTE: The activities listed above were interested in this document as of the date of this document. Since organizations and responsibilities can change, you should verify the currency of the information above using the ASSIST Online database at <https://assist.daps.dla.mil>.