

FED SUP CLASS
5935

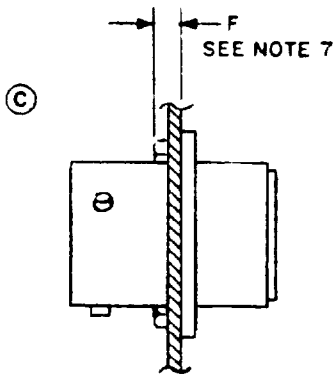
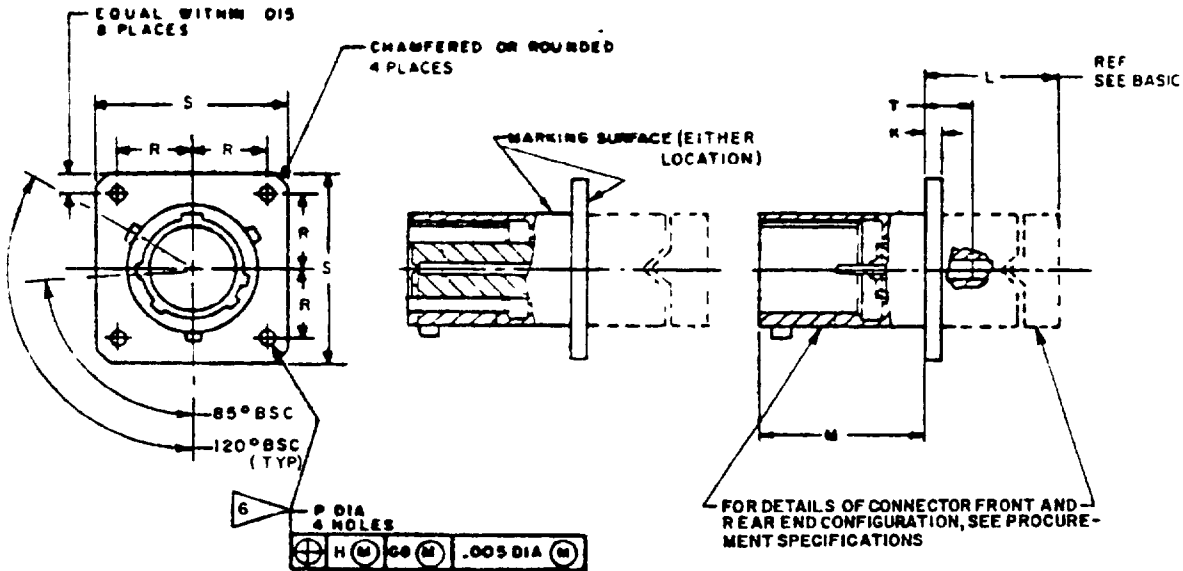
Army -
Navy -
Air Force -

User activities

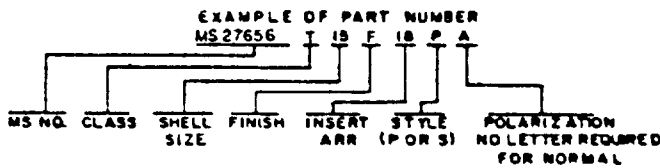
Army - MI, MU
Navy - EC, MC, OS
Air Force - II, 15, 17, 99
DLA-ES

Review activities

Approved for use by Department and Agencies of the
Department of Defense. Selection for all new engineering and design applications
and for parts cure shall be made from this document when applicable.



Class E^{1/}, T and P^{2/}
^{1/} Class E inactive for new design.
^{2/} Class P inactive for new design for Air Force.



(C) DENOTES CHANGE

AF-85 Other Cust ARMY-CR NAVY-AS	International interest	TITLE CONNECTOR, RECEPTACLE, ELECTRICAL, BACK PANEL WALL MOUNTING FLANGE, CRIMP TYPE, BAYONET COUPLING, SERIES I	MILITARY STANDARD MS 27656
MIL-C-38999	SUPERSEDES MS 0027656 (USAF)	PAGE 1 OF 2	

DD FORM 672

(Uncoordinated) PREVIOUS EDITIONS OF THIS FORM ARE OBSOLETE

5935-3234-4

APPROVED 7 JUL 1971 REVISED (A) 13 AUG 74 (B) 2 JAN 76 (C) 15 APR 82

FED SUP CLASS
5935

Ⓢ

SHELL SIZE	K +.015 - .000	LE MAX	LF MAX	LT MAX	M +.000 -.005	P DIA +.010 -.005	R BSC	S +.020	T MAX	F MAX
	SEE BAS C									
9	▲	▲	▲	▲	▲	▲	.3595	938	▲	
11							.406	1.031		
13							.453	1.125		
15	.085	.469	.719	.469	.820	.128	.4845	1.219	.156	.234
17							.531	1.312		
19	▼	▼	▼	▼	▼	▼	.578	1.438	▼	
21	▲	.500	.750	.500	▲	▼	.625	1.562	.188	.204
23	.115	.500	.750	.500	.790	.147	.6875	1.688	.188	
25	▼	.500	.750	.500	▼	.147	.750	1.812	.188	.193

INCHES		MM	INCHES		MM	INCHES		MM
.005	.13	188	4.78	.500	12.70	.820	20.83	
.007	.18	193	4.90	.531	13.49	.938	23.83	
.010	.25	.204	5.18	.560	14.22	1.031	26.19	
.015	.38	.234	5.94	.578	14.69	1.125	28.58	
.020	.51	.3595	9.13	.625	15.88	1.219	30.96	
.085	2.16	.406	10.31	.6875	17.46	1.312	33.32	
.115	2.92	.453	11.51	.719	18.26	1.438	36.53	
.128	3.25	.469	11.91	.750	19.05	1.562	39.67	
.156	3.96	.4845	12.31	.790	20.07	1.688	42.98	
						1.812	46.02	

NOTES

- Dimensions are in inches.
- Metric equivalents are given for general information only and are based upon 1 inch = 25.4 mm.
- For main keyway and keyway positions, see MIL-C-38999.
- For design feature purposes, this standard takes precedence over documents referenced herein.
- Referenced documents shall be of the issue in effect on date of invitation for bid.
- The gage features for GG shall be .010 (.25 mm) smaller than the MMC size at basic location.
- Maximum panel thickness including mounting hardware.

Ⓢ

User activities: Army - MI, MU; Navy - EC, MC, OS; Air Force - 11, 15, 17, 99; DLA - ES
 Review activities: Departments and Agencies of the Department of Defense. Selection for all new engineering and design applications and for repetitive use shall be made from this document when applicable.

REVISED Ⓢ For changes see pages 1&2
 APPROVED 7 JUL 1971

P.A. AF-85 Other Cust ARMY-CR NAVY-AS	International interest	TITLE CONNECTOR, RECEPTACLE, ELECTRICAL, BACK PANEL WALL MOUNTING FLANGE, CRIMP TYPE, BAYONET COUPLING, SERIES I	MILITARY STANDARD
			MS 27656
Present Specification MIL-C-38999		SUPERSEDES MS 0027656 (USAF)	PAGE 2 OF 2