

INCH-POUND

MS27600F  
 18 March 2020  
 SUPERSEDING  
 MS27600E  
 01 May 2019

## DETAIL SPECIFICATION SHEET

FASTENER, SELF-LOCKING CASE MOUNTING  
 ELECTRONIC EQUIPMENT

INACTIVE FOR NEW DESIGN AFTER 26 July 1978

This specification is approved for use by all Departments and Agencies of the Department of Defense.

The requirements for acquiring the product described herein shall consist of this specification sheet and procurement specification MIL-C-172.

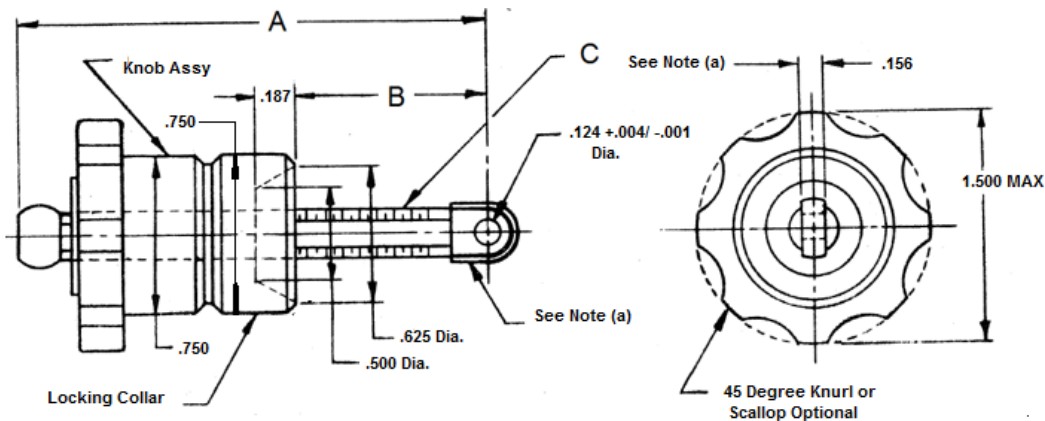


FIGURE 1. Dash Number's -1 through -6.

DASH NUMBER	A	B *	(a) C	(b) LOAD LBS MAX.	(c) ACCESSORIES		
					HINGE	PIN	COTTER PIN
-1	1.875	1.000	.250-28 UNF-3A	75	NAS573-10	NASM20392-1C15	NASM24665-151
-2	2.250	1.375					
-3	2.750	1.875	.312-24 UNF-3A	153	NAS573-9		
-4	1.875	1.000					
-5	2.250	1.375					
-6	2.750	1.875					

\* Clearance on open or extended position.

## MS27600E

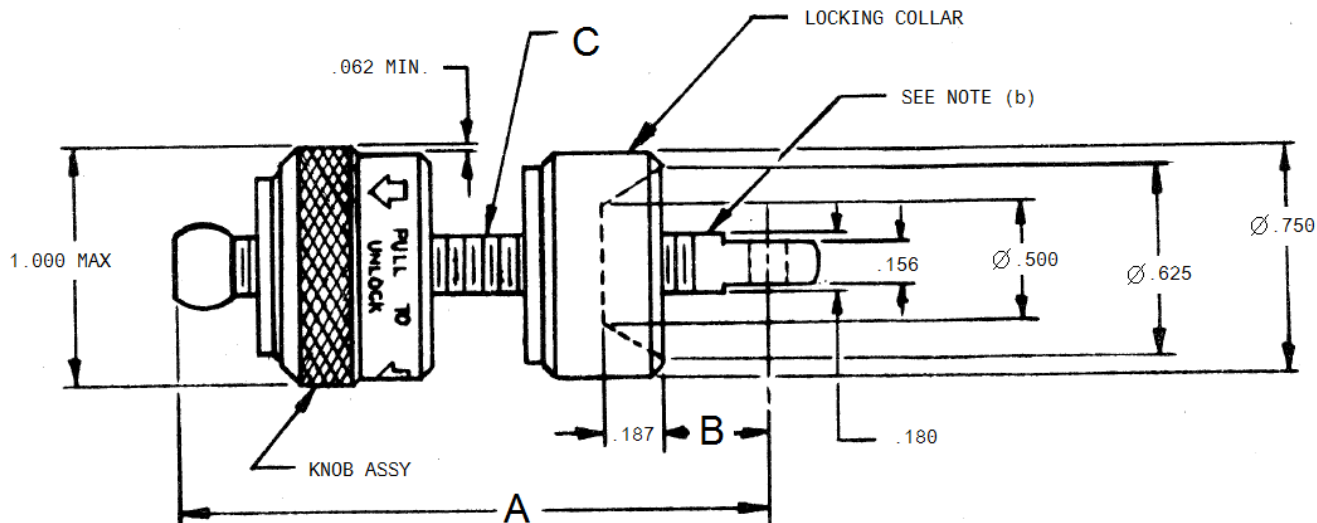


FIGURE 2. Dash Number's -7 through -9.

DASH NUMBER	A	B *	(a) C	(b) LOAD LBS MAX.	(c) ACCESSORIES		
					HINGE	PIN	COTTER PIN
-7	1.875	1.000	.250-28 UNF-3A	30	NAS573-10	NASM20392-1C15	NASM24665-151
-8	2.250	1.375					
-9	2.750	1.875					

\* Clearance on open or extended position.

- (a) The bolt C is flat on two sides to permit the locking collar to slide on the bolt dimension on flat side of bolt C threaded along threaded portion is .180, and end side that fits into hinge NAS573-9 and -10 is .156.
- (b) Load is the portion of the weight of the item being held per fastener.
- (c) Accessories not supplied with part number.

## NOTES

- Material: Corrosion resistant steel per SAE-AMS-QQ-S-763 and Passivated per SAE-AMS-QQ-P-35.
- Finish: See procurement specification.
- The fastener shall withstand 2000 or more cycles of locking and unlocking without degradation of performance.
- The fastener shall lock every 15° or in smaller increments.
- Fastener shall be free of all burrs, slivers and sharp edges.

MS27600E

6. Dimensions: Dimensions are in inches.
7. Tolerances: Unless otherwise specified, decimal  $\pm .010$ .
8. The fastener shall tighten by pulling and turning knob assembly clockwise and shall lock upon release of the knob assembly. Unlocking shall be accomplished by pulling and turning the knob assembly counterclockwise. No tools shall be required to tighten, lock or unlock the fastener.
9. Method of locking and unlocking shall be indicated on the knob assembly.
10. The fastener when installed with maximum load shall not become loose or unlock under vibration or shock when subjected to MIL-STD-810, Method 514, Procedure I, Curve E, and Method 516, Procedure I, using Shock Pulse 516-2.
11. Certain internal design of this fastener may infringe rights asserted under patent 2,728,895 self-locking coupling device.

MILITARY INTEREST

Custodians:  
DLA – IS

Preparing activity:  
DLA - IS

(Project 5325-2020-004)

NOTE: The activities listed above were interested in this document as of the date of this document. Since organizations and responsibilities can change, you should verify the currency of the information above using the ASSIST Online database at <https://assist.dla.mil>.