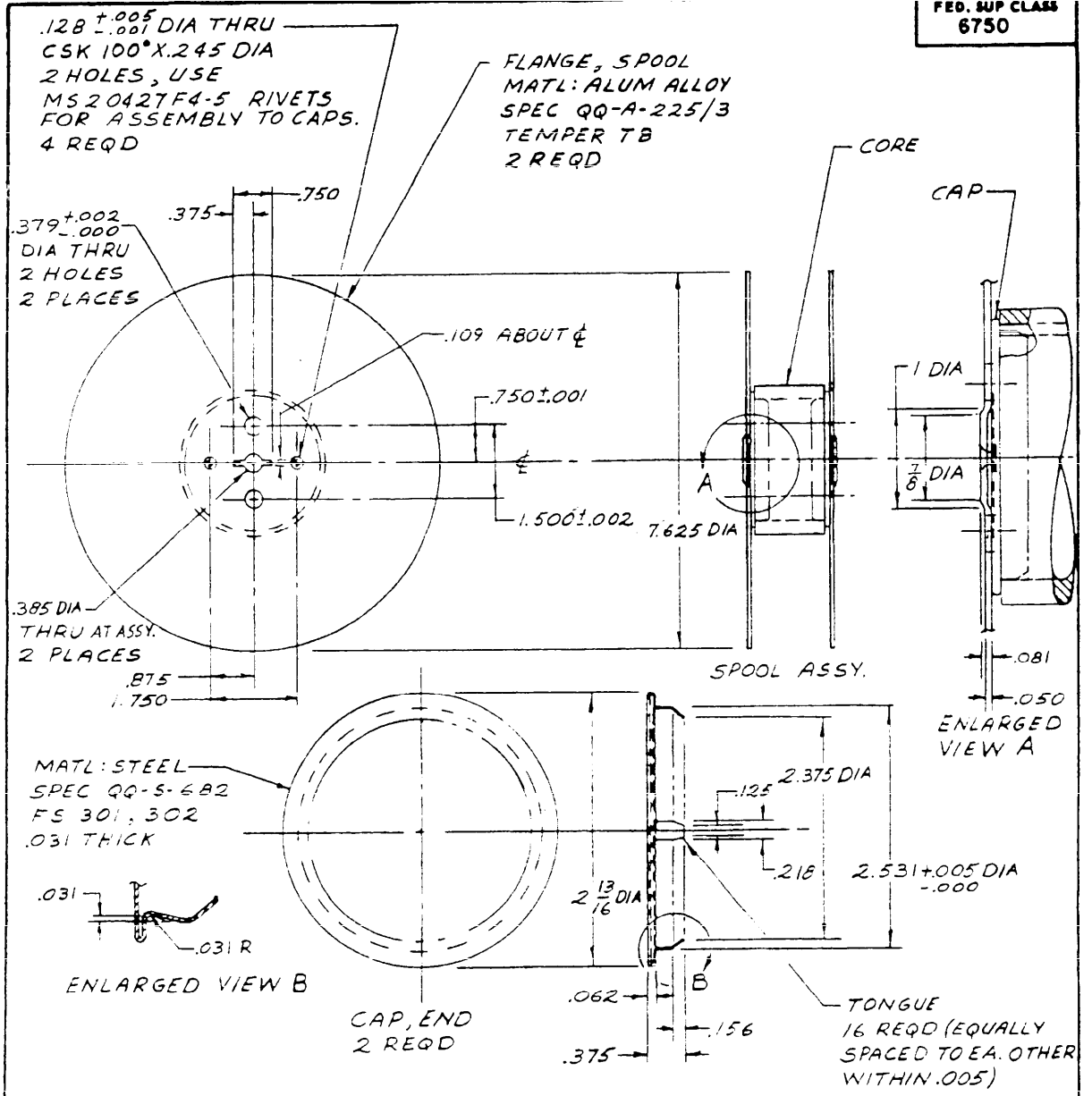


FED. SUP CLASS  
6750



DIMENSIONS IN INCHES. TOLERANCES ON DECIMALS:  $\pm .005$ , FRACTIONS:  $\pm \frac{1}{64}$ , ANGLES  $\pm 2^\circ$   
 REMOVE ALL BURRS AND BREAK SHARP EDGES.  
 MATERIAL: AS INDICATED.

FOR DESIGN FEATURE PURPOSES, THIS STANDARD TAKES PRECEDENCE OVER PROCUREMENT DOCUMENTS REFERENCED HEREIN.  
 REFERENCED DOCUMENTS SHALL BE OF THE ISSUE IN EFFECT ON DATE OF INVITATIONS FOR BID.

Ⓐ Denotes Change

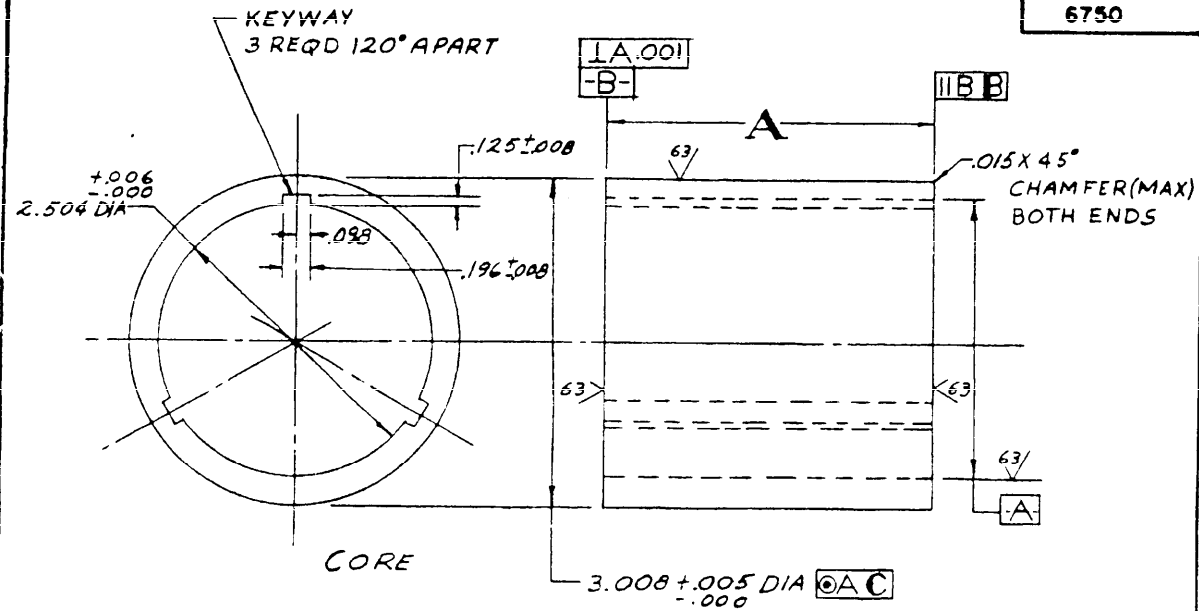
THIS MILITARY STANDARD IS APPROVED FOR USE BY THE DEPARTMENT OF THE AIR FORCE AND IS AVAILABLE FOR USE BY ALL DEPARTMENTS AND AGENCIES OF THE DEPARTMENT OF DEFENSE. NOTE: DD-ALC/MEMDD, HILL AIR FORCE BASE.

APPROVED 23 FEB 1966 REVISED (A) 7 MAR 1966

P.A. USAF-70 Other Cust - 99	TITLE SPOOL, FILM, DIFFUSION TRANSFER, PHOTOGRAPHIC	MILITARY STANDARD
		MS27541 (USAF)
PROCUREMENT SPECIFICATION	SUPERSEDES:	SHEET 1 OF 2

DISTRIBUTION STATEMENT A.  
 Approved for public release; distribution is unlimited.

FED. SUP CLASS  
6750



PART NUMBER	FILM SIZE	A	B.T.I.R.	C.T.I.R.
MS 27541-1	9 1/2 INCH	9.445 ±.003	.005	.005
MS 27541-2	5 INCH	4.947 ±.003	.004	.005
MS 27541-3	70 MM	2.750 ±.002	.004	.004
MS 27541-4	35 MM	1.374 ±.002	.003	.003
MS 27542-5	16 MM	.625 ±.002	.002	.003

MATERIAL: ALUM. ALLOY, EXTRUDED, COMP. 6063, 2024, TEMP. T6, SPEC. QQ-A-200/B CORE; SURFACE ROUGHNESS  $\sqrt{\text{PER ASA B46.1}}$  ALL OVER.

SYMBOLS FOR CONTROLLING THE GEOMETRICAL RELATIONSHIP OF MULTIPLE SURFACES PER ANSI Y14.5-73.

(A)

APPROVED 23 FEB 1966 REVISED (A) For changes see page 2

THIS MILITARY STANDARD IS APPROVED FOR USE BY THE DEPARTMENT OF THE AIR FORCE AND IS AVAILABLE FOR USE BY ALL DEPARTMENTS AND AGENCIES OF THE DEPARTMENT OF DEFENSE. NOTE: 09-ALCANNED, HILL AIR FORCE BASE.

P.A. USAF-70 Other Cont-99	TITLE SPOOL, FILM, DIFFUSION TRANSFER, PHOTOGRAPHIC	MILITARY STANDARD MS27541 (USAF)
PROCUREMENT SPECIFICATION	SUPERSEDES:	SHEET 2 OF 2