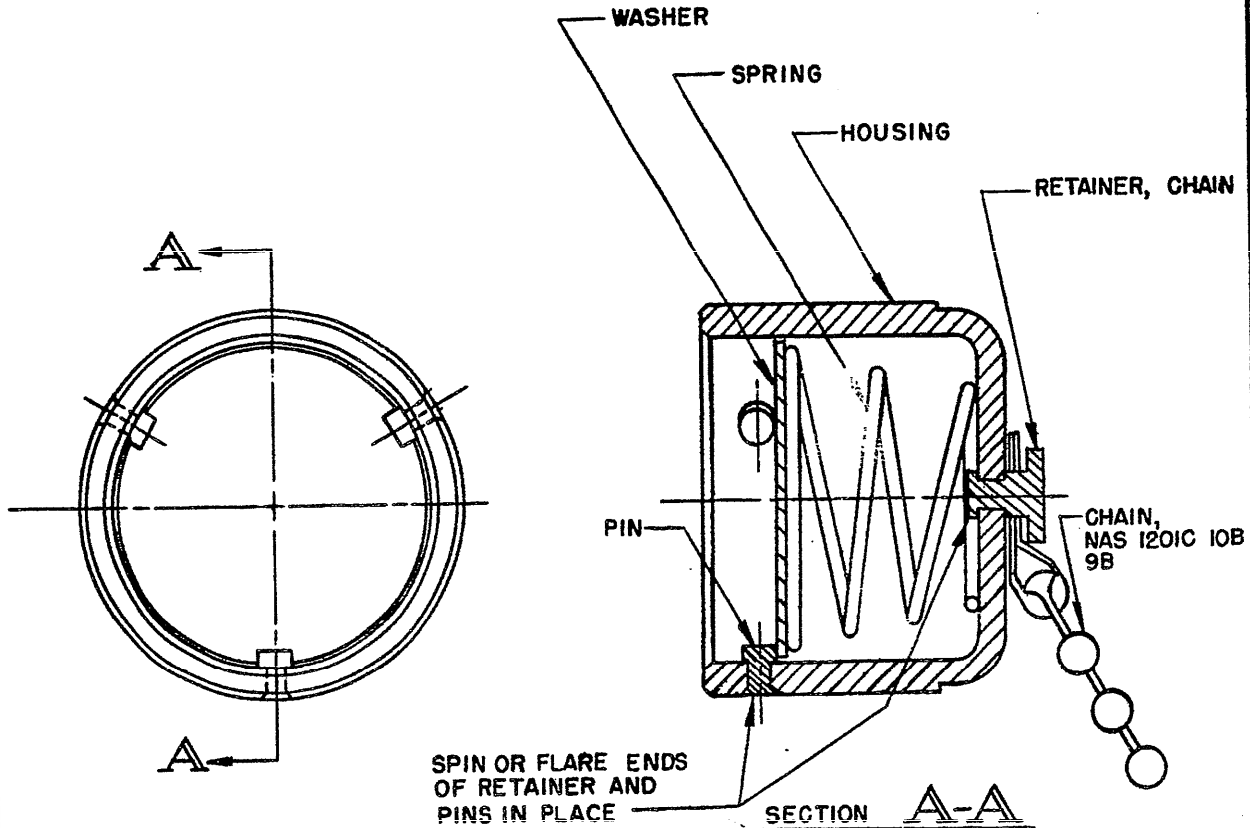


FED. SUP CLASS
1660

Review activities: USAF-11



PART NO.
MS 27566 - 1

MARKING SHALL BE IN ACCORDANCE WITH MIL-STD-130.

REMOVE BURRS AND BREAK SHARP EDGES .005 MAX.

DIMENSIONS ARE IN INCHES. UNLESS OTHERWISE SPECIFIED, TOLERANCE ON DECIMALS $\pm .010$.

FOR DESIGN FEATURE PURPOSES, THIS STANDARD TAKES PRECEDENCE OVER PROCUREMENT DOCUMENTS REFERENCED HEREIN.

REFERENCED DOCUMENTS SHALL BE OF THE ISSUE IN EFFECT ON DATE OF INVITATION FOR BID.

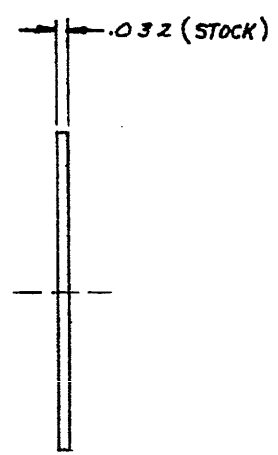
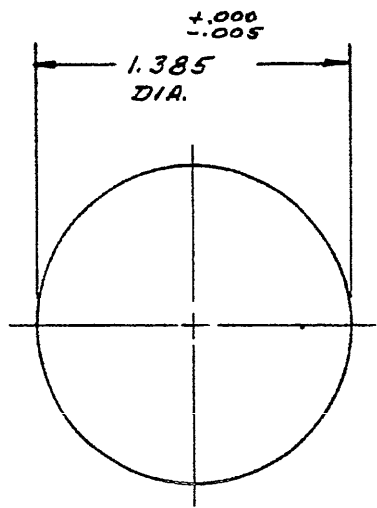
FOR CHANGES SEE SHEETS 1 AND 2.

This standard has been approved by the NAVAL AIR SYSTEMS COMMAND AND THE Department of the ARMY and is intended for use by the Department of the ARMY. All other military activities are required to employ this standard where suitable.

P.A. USAF-99 Other Code Navy - AS	TITLE	MILITARY STANDARD
	CAP ASSEMBLY, LIQUID OXYGEN FILL VALVE	MS 27566
PROCUREMENT SPECIFICATION NONE	SUPERSEDES:	SHEET 1 OF 3

APPROVED 29 Mar 67 REVISED (A) 12 Mar 68 (B) 18 Nov 68 (C) 25 Sept 69 (D) 13 Jan 71 (E) 4 Jun 75 (F) MAR 30 1981

FED. SUP CLASS
1660

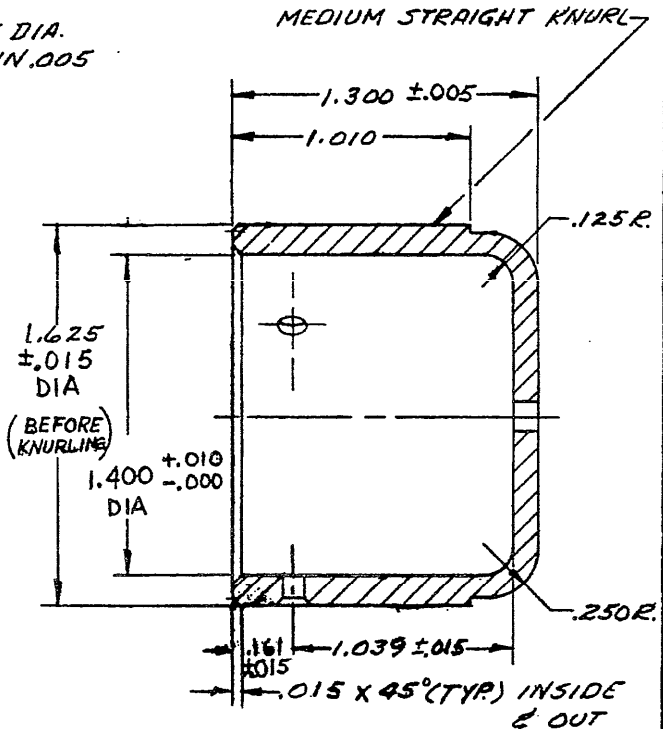
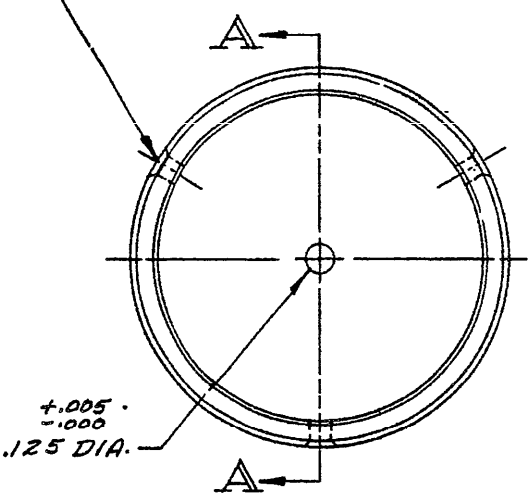


WASHER

MATERIAL: TYPE 302 STEEL, PER MIL-5-5059, COND. A.
PASSIVATE PER MIL-5-5002.

Ⓣ ALTERNATE MATERIAL: TYPE 304 STEEL, PER QQ-S-766, CONDITION "A"

Ⓣ .095 DIA. COUNTER SINK 90° x .125 DIA.
3 HOLES EQUALLY SPACED WITHIN .005



HOUSING

MATERIAL: 6061-0, AL. ALLOY
PER SPEC. QQ-A-250/11; COND. O.
ALTERNATE MATL.: 2024-T-4, AL. ALLOY
PER SPEC. QQ-A-225/6, COND. T-4.
ANODIZE PER MIL-A-8625, TYPE II, CLASS 2, COLOR BLACK
FINISH: ALL SURFACES PER ANSI B46.1

SECTION A-A

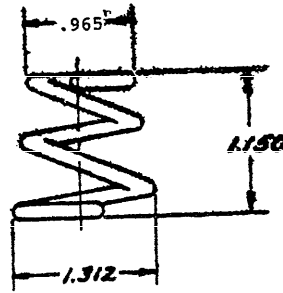
REVIEW ACTIVITIES: USAF-11

This standard has been approved by the NAVAL AIR SYSTEMS COMMAND AND THE
Department of the NAVY. Its use is mandatory for use by
NAVY ACTIVITIES. All other military activities are required
to employ this standard where suitable.

APPROVED 29 MAY 67 REVISED (E) FOR CHANGES SEE SHEETS 1 AND 2. (F) MAR 30 1981

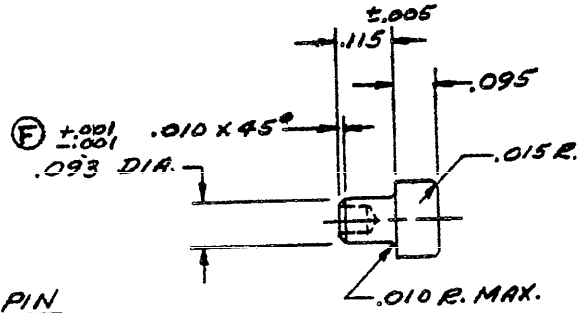
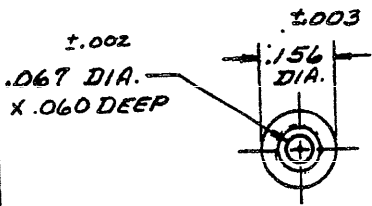
P.A. USAF-99 Other Cost NAVY-AS	TITLE CAP ASSEMBLY, LIQUID OXYGEN FILL VALVE	MILITARY STANDARD MS27566
PROCUREMENT SPECIFICATION NONE	SUPERSEDES:	SHEET 2 OF 3

PRELIM CLASS
1660



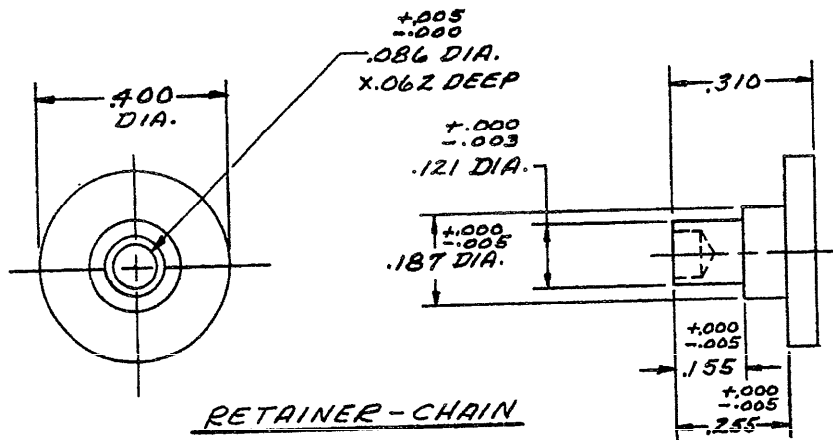
SPRING

MATERIAL: .070 DIA. TYPE 302 WIRE PER SPEC. QQ-W-423, COND. B
 PASSIVATE PER MIL-S-5002
 TOTAL COILS: 3
 TOTAL COMPRESSED HEIGHT: .070
 SPRING RATE: 10.3 LBS/IN. TO SUPPORT 7 LBS. @ .300 HEIGHT.
 ENDS TO BE SQUARED.



PIN

Ⓜ MATERIAL: TYPE 303, PER ASTM A 582
 PASSIVATE PER MIL-S-5002
 FINISH: 125 ALL OVER PER ANSI B46.1
 3 EACH REQUIRED.



RETAINER-CHAIN

MATERIAL: AL. ALLOY 2024-T4,
 PER SPEC. QQ-A-225/6,
 ANODIZE PER MIL-A-8625 TYPE II, CLASS 2, COLOR BLACK
 FINISH: 125 MIN. ALL OVER PER ANSI B46.1

REVIEW ACTIVITIES: USAF-11

This standard has been approved by the NAVAL AIR SYSTEMS COMMAND AND THE Department of the ARMY and is mandatory for use by all other military activities as required by MIL-STD-129. All other military activities are required to employ this standard where suitable.

APPROVED 29 MAY 68 REVISED (E) FOR CHANGES SEE SHEETS 1 AND 2. (E) MAR 30 1961

P.A. USAF-99 Other Cost NAVY-AS	TITLE CAP ASSEMBLY, LIQUID OXYGEN FILL VALVE	MILITARY STANDARD
		MS27566
PROCUREMENT SPECIFICATION NONE	SUPERSEDES:	SHEET 3 OF 3