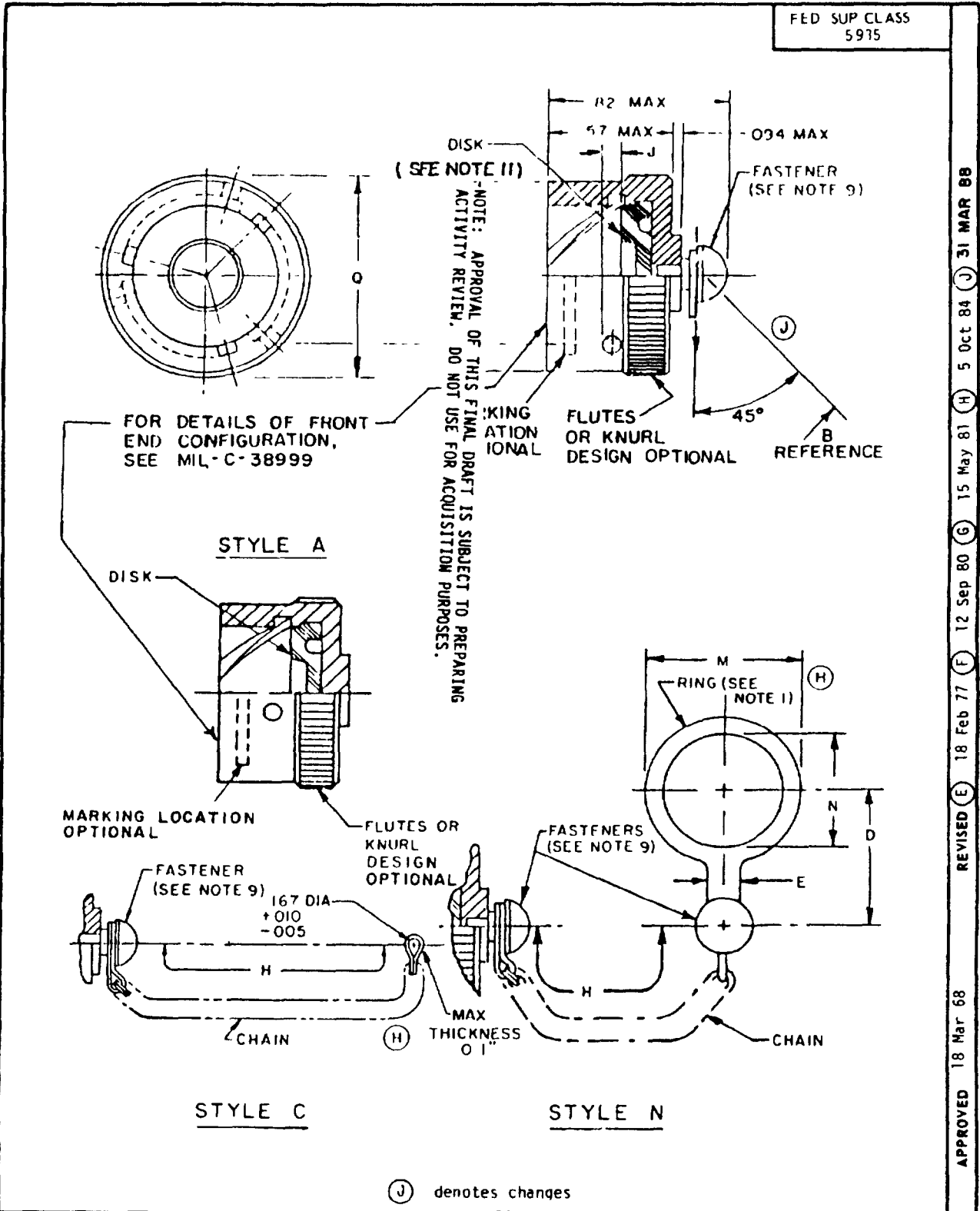


FED SUP CLASS
5975

User activities
Army -
Navy -
Air Force -

Review activities
MI, AR
EC, MC, OS
Air Force - 15, 99
DLA - ES

This military standard is approved for use by all Departments and Agencies of the Department of Defense. Selection for all new engineering and design applications and for repetitive use shall be made from this document when applicable.

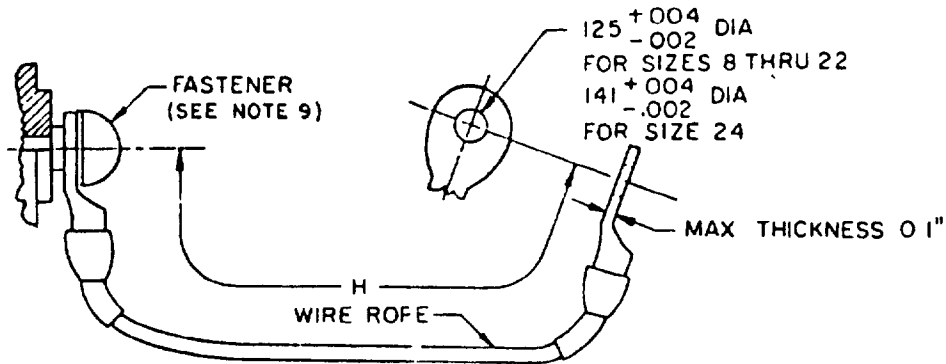


(J) denotes changes

P A AF - 85 Other Cust Army - CR Navy - AS	International Interest	TITLE COVER, ELECTRICAL CONNECTOR, PROTECTIVE, RECEPTACLE, BAYONET COUPLING, SERIES 11	MILITARY STANDARD
			MS27511
Procurement Specification MIL-C-38999	SUPERSEDES		PAGE 1 OF 3

APPROVED 18 Mar 68 REVISED E 18 Feb 77 F 12 Sep 80 G 15 May 81 H 5 Oct 84 J 31 MAR 88

FED SUP CLASS
5935



STYLE R

A Max dia	Q Max dia	Shell size	D		H +.50, -.25 Standard chain or rope length	E Min ring throat	M Max dia	N Max dia	J # 015		
			Max	Min							
630	.750	8	1.13	.80	3.0		1.22	.89			
761	859	10	1.23	.93			1.42	1.01			
.936	1.031	12	1.29	.99			1.55	1.14			
1.074	1.156	14	1.35	1.05	3.5		1.68	1.26			
1.172	1.281	16	1.41	1.11			.23	1.80		1.39	.082
1.304	1.406	18	1.47	1.18			1.92	1.51			
1.435	1.531	20	1.54	1.24	4.0		2.05	1.64			
1.560	1.641	22	1.60	1.30			2.18	1.76			
1.688	1.766	24	1.66	1.36			2.30	1.89		.107	

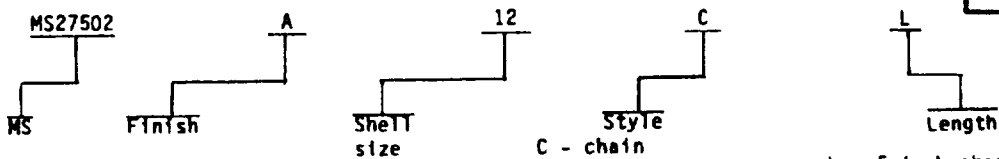
Department of Defense Selection for all new engineering and design applications and for repetitive use shall be made from this document when applicable
 User activities: Army - MI, AR; Navy - EC, MC, OS; Air Force - 15, 99; DLA - ES
 Review activities: the

APPROVED 18 Mar 68
 REVISION (J) For changes see pages 1, 2, and 3

PA AF - 85	International Interest	TITLE	MILITARY STANDARD
Other Cust Army - CR Navy - AS		COVER, ELECTRICAL CONNECTOR, PROTECTIVE, RECEPTACLE, BAYONET COUPLING, SERIES II	MS27511
Procurement Specification MIL-C-38999		SUPERSEDES	PAGE 2 OF 3

FED SUP CLASS
5935

Example of part number



C - chain
N - With chain and ring
R - Rope
A - Without chain or rope

L - 5 inch chain in lieu of standard length. Leave blank for standard length. Applicable to chain only. Not applicable to style R.

Inches		mm		Inches		mm		Inches		mm	
.002	0.05	.57	14.5	1.11	28.2	1.36	34.5	1.66	42.2		
.004	0.10	.630	16.00	1.13	28.7	1.39	35.3	1.68	42.7		
.005	0.13	.750	19.05	1.14	29.0	1.406	35.71	1.688	42.87		
.010	0.25	.761	19.33	1.156	29.36	1.41	35.8	1.76	44.7		
.015	0.38	.80	20.3	1.172	29.77	1.42	36.1	1.766	44.86		
.030	0.76	.82	20.8	1.18	30.0	1.435	36.45	1.80	45.7		
.094	2.39	.859	21.82	1.22	31.0	1.47	37.3	1.89	48.0		
.107	2.72	.89	22.6	1.23	31.2	1.51	38.4	1.92	48.8		
.1	3.	.93	23.6	1.24	31.5	1.531	38.90	2.05	52.1		
.125	3.18	.936	23.77	1.26	32.0	1.54	39.1	2.18	55.4		
.141	3.58	.99	25.1	1.281	32.54	1.55	39.4	2.30	58.4		
.167	4.24	1.01	25.7	1.29	32.8	1.560	39.62	3.00	76.2		
.23	5.8	1.031	26.19	1.30	33.0	1.60	40.6	3.50	88.9		
.25	6.4	1.05	26.7	1.304	33.12	1.64	41.7	4.00	101.6		
.50	12.7	1.074	27.28	1.35	34.3	1.641	41.68				

NOTES:

- Dimensions are in inches.
- Metric equivalents are given for general information only
- Material: Ring Stainless steel passivated, O30 maximum thickness
Cover Silicone elastomer.
Disk Silicone elastomer.
Chain Stainless steel, passivated, conforming to RR-C-271, type II, class 3.
Wire rope Insulated, braided steel wire.
Fastener Stainless steel, passivated
- Finish See MIL-C-38999.
- Applicable connectors: MIL-C-27599 series II and MIL-C-38999 series II.
- Requirements: Eyelets shall be so crimped over wire rope as to ensure a breaking strength equal to or greater than that of the wire rope.
- In the event of conflict between the text of this standard and the references cited herein, the text of this standard shall take precedence
- Referenced Government documents of the issue listed in that issue of the Department Defense Index of Specifications and Standards (DODISS) specified in the solicitation form a part of this standard to the extent specified herein
- The chain or rope assembly shall rotate freely on the cover fastener
- The protective cover and rope assembly shall withstand a static tensile load of 35 pounds applied along the B reference line for 5 minutes.
- Disk shall be bonded or mechanically retained
- Not for space born applications.

This military standard is approved for use by all Departments and Agencies of the Department of Defense. Selection for all new engineering and design applications and for repetitive use shall be made from this document when applicable.

Review activities: MI, AR, Army - EC, MC, OS, Air Force - 15, 99, DLA - ES

User activities: Army - Navy - Air Force -

APPROVED 18 Mar 68 REVISED J For changes see pages 1, 2, and 3

P A AF - 85	International interest	TITLE	MILITARY STANDARD
Other Cust Army - CR Navy - AS		COVER, ELECTRICAL CONNECTOR, PROTECTIVE, RECEPTACLE, BAYONET COUPLING, SERIES II	MS27511
Procurement Specification MIL-C-38999		SUPERSEDES	PAGE 3 OF 3