

INCH-POUND

MS27508H  
 24 November 2008  
 SUPERSEDING  
 MS27508G  
 12 July 2002

DETAIL SPECIFICATION SHEET

CONNECTORS, RECEPTACLE, ELECTRICAL, BACK PANEL,  
 BOX MOUNTING FLANGE, CRIMP TYPE, BAYONET COUPLING, SERIES II

Reactivated after 24 May 2004 and may be used  
 for new and existing designs and acquisitions.

This specification is approved for use by all Departments  
 and Agencies of the Department of Defense.

The requirements for acquiring the product described herein  
 shall consist of this specification sheet and MIL-DTL-38999.

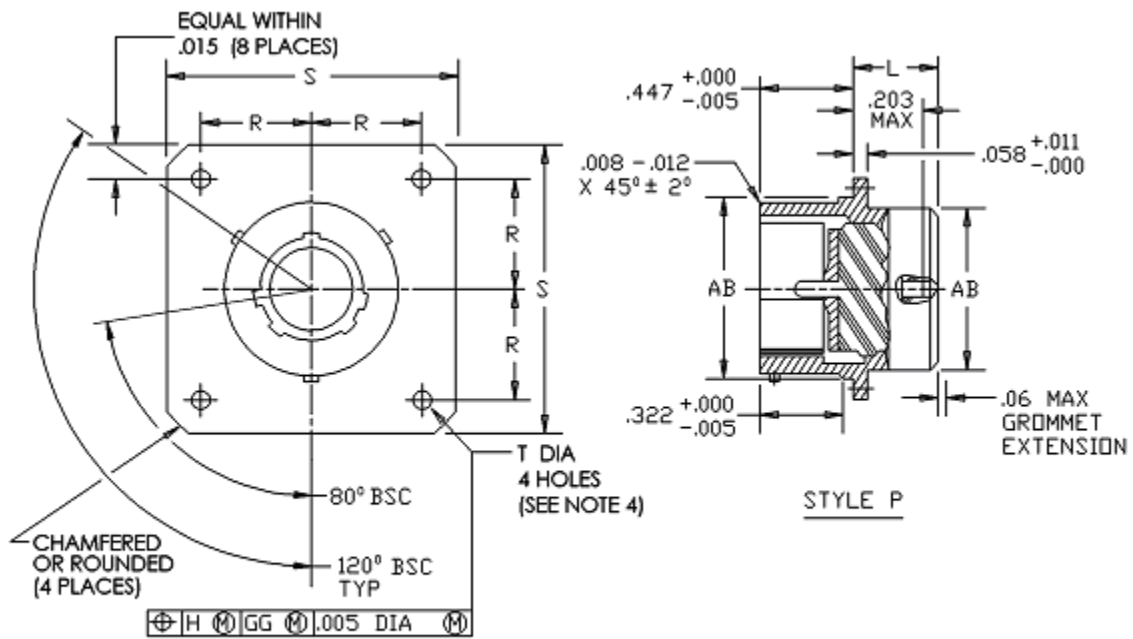
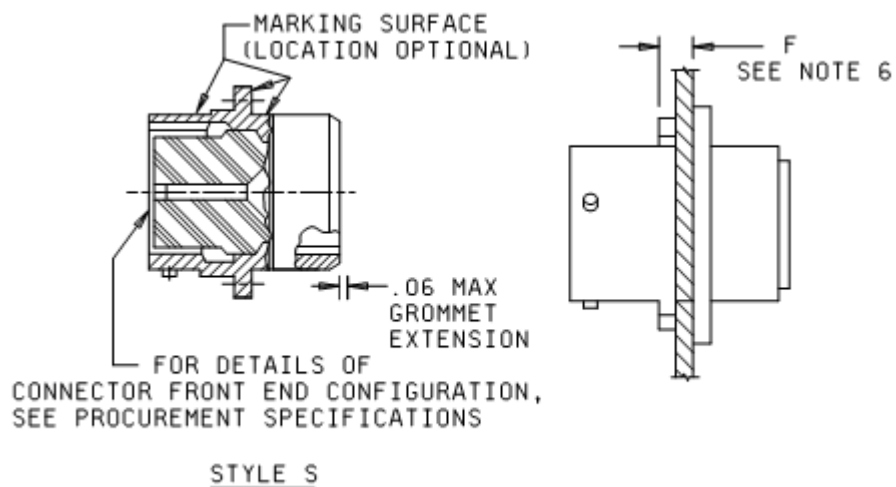


FIGURE 1. Receptacle.

## MS27508H



Shell size	F max	L max	R BSC	S max	T +.010 -.005	AB max	
8	.146	.250	.297	.828	.120	.547	
10			.3595	.954		.672	
12			.406	1.047		.844	
14			.453	1.141		.969	
16			.4845	1.234		1.094	
18			.531	1.328		1.219	
20	.168		.578	1.453		1.344	
22			.625	1.578		1.469	
24			.6875	1.703		.147	1.594

FIGURE 1. Receptacle – Continued.

## MS27508H

Inches	mm	Inches	mm	Inches	mm	Inches	mm
.005	.13	.203	5.16	.672	17.07	1.344	34.14
.007	.18	.223	5.66	.6875	17.45	1.391	35.33
.008	.20	.250	6.35	.828	21.03	1.453	36.91
.010	.25	.297	7.54	.844	21.44	1.469	37.31
.011	.28	.322	8.18	.954	24.23	1.516	38.51
.012	.30	.3595	9.13	.969	24.61	1.578	40.08
.036	.91	.406	10.31	1.047	26.59	1.594	40.49
.058	1.47	.447	11.35	1.078	27.38	1.641	41.68
.06	1.5	.453	11.51	1.094	27.79	1.703	43.26
.120	3.05	.4845	12.31	1.141	28.98	1.766	44.86
.139	3.53	.531	13.49	1.219	30.96	1.891	48.03
.146	3.71	.547	13.89	1.234	31.34	2.016	51.21
.147	3.73	.578	14.68	1.266	32.16	2.204	55.98
.168	4.27	.625	15.88	1.328	33.73		

## NOTES:

1. Dimensions are in inches.
2. Metric equivalents are given for general information only.
3. For main key and key positions, see MIL-DTL-38999.
4. The gauge feature for GG shall be .010 inch (0.25 mm) smaller than the MMC size at basic location.
5. Dimensioning and tolerances are in accordance with ASME-Y14.5M.
6. Maximum panel thickness including mounting hardware.

FIGURE 1. Receptacle – Continued.

## MS27508H

## REQUIREMENTS:

Dimensions and configurations: See figure 1.

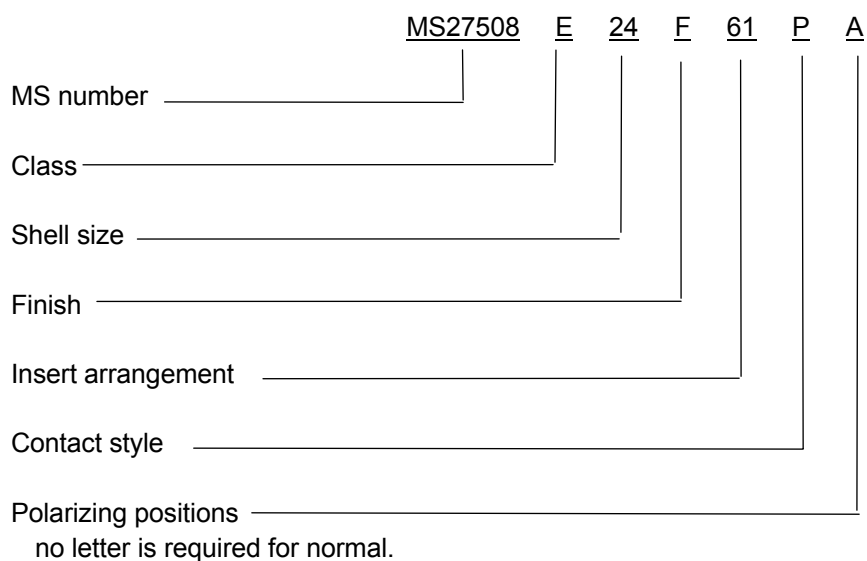
Interface dimensions shall conform to MIL-DTL-38999.

Mating connectors: MS27473, MS27480, MS27484 and MS27500.

Procurement specification: MIL-DTL-38999.

Insert arrangements: See MIL-STD-1560.

Part or Identifying Number (PIN) example:



Changes from previous issue. Marginal notations are not used in this revision to identify changes with respect to the previous issue due to the extent of the changes.

Referenced documents. In addition to MIL-DTL-38999, this document references the following:

MS27473  
 MS27480  
 MS27484  
 MS27500  
 MIL-STD-1560  
 ASME-Y14.5M

MS27508H

CONCLUDING MATERIAL

Custodians:

Army – CR  
Navy – AS  
Air Force – 85  
DLA – CC

Preparing activity:

DLA – CC

(Project 5935-2008-050)

Review activities:

Army – AR, MI  
Navy – EC, MC, OS  
Air Force – 19, 99  
DLA – IS

NOTE: The activities listed above were interested in this document as of the date of this document. Since organizations and responsibilities can change, you should verify the currency of the information above using the ASSIST Online database at <http://assist.daps.dla.mil>.