

INCH-POUND

MS27508G
 12 July 2002
 SUPERSEDING
 MS27508E
 15 June 1984

DETAIL SPECIFICATION SHEET

CONNECTORS, RECEPTACLE, ELECTRICAL, BACK PANEL,
 BOX MOUNTING FLANGE, CRIMP TYPE, BAYONET COUPLING, SERIES II

This specification is approved for use by all Departments
 and Agencies of the Department of Defense.

The requirements for acquiring the product described herein
 shall consist of this specification and MIL-DTL-38999.

Inactive for new design

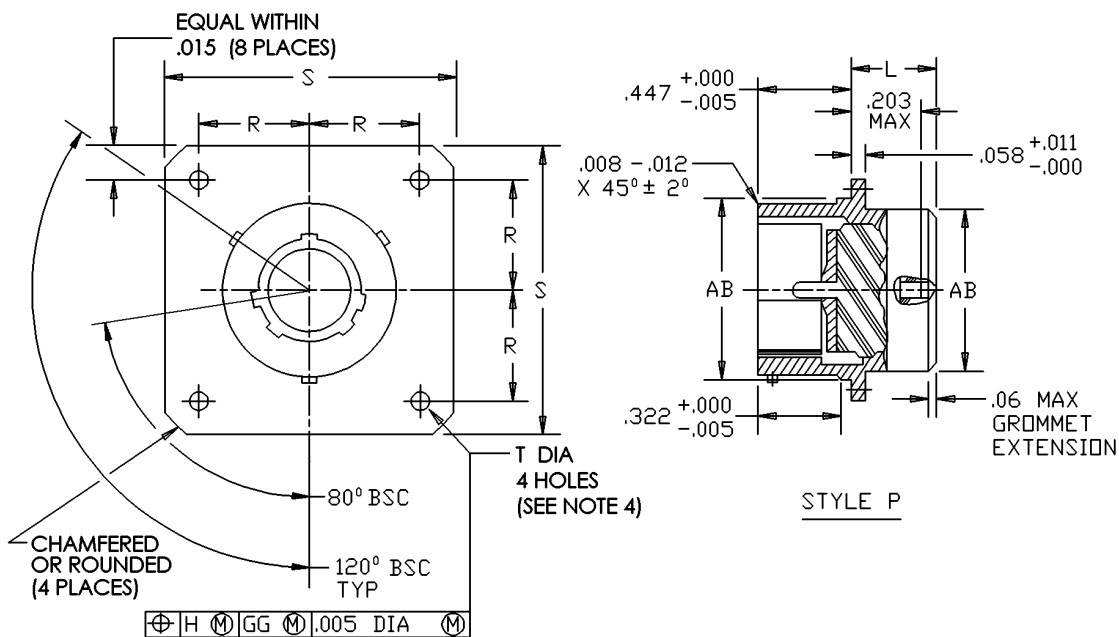
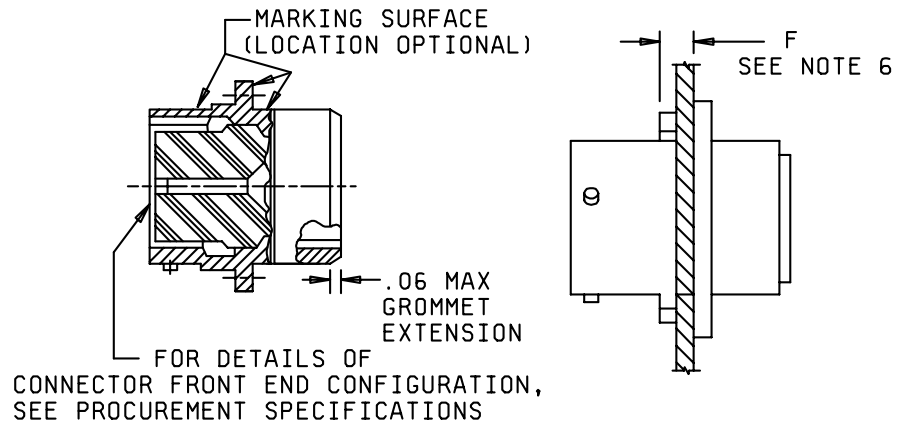


FIGURE 1. Receptacle.

MS27508G

STYLE S

Shell size	F max	L max	R BSC	S max	T +.010 -.005	AB max			
8	.146	.250	.297	.828	.120	.547			
10			.3595	.954		.672			
12			.406	1.047		.844			
14			.453	1.141		.969			
16			.4845	1.234		1.094			
18			.531	1.328		1.219			
20	.168		.578	1.453		1.344			
22			.625	1.578		1.469			
24						.6875	1.703	.147	1.594

FIGURE 1. Receptacle – Continued.

MS27508G

Inches	mm	Inches	mm	Inches	mm	Inches	mm
.005	.13	.203	5.16	.672	17.07	1.344	34.14
.007	.18	.223	5.66	.6875	17.45	1.391	35.33
.008	.20	.250	6.35	.828	21.03	1.453	36.91
.010	.25	.297	7.54	.844	21.44	1.469	37.31
.011	.28	.322	8.15	.954	24.23	1.516	39.80
.012	.30	.3595	9.13	.969	24.61	1.578	40.08
.036	.91	.406	10.31	1.047	25.59	1.594	40.49
.058	1.47	.447	11.35	1.078	27.38	1.641	41.68
.06	1.5	.453	11.51	1.094	27.79	1.703	43.26
.120	3.05	.4845	12.31	1.141	28.98	1.766	44.86
.139	3.53	.531	13.49	1.219	30.96	1.891	48.03
.146	3.71	.547	13.89	1.234	31.34	2.016	51.21
.147	3.73	.578	14.68	1.266	32.16	2.204	55.98
.168	4.23	.625	15.88	1.328	33.73		

NOTES:

1. Dimensions are in inches.
2. Metric equivalents are given for general information only.
3. For main key and key positions, see MIL-DTL-38999.
4. The gauge feature for GG shall be .010 inch (0.25 mm) smaller than the MMC size at basic location.
5. Dimensioning and tolerances are in accordance with ANSI Y 14.5-1973.
6. Maximum panel thickness including mounting hardware.

FIGURE 1. Receptacle – Continued.

REQUIREMENTS:

Dimensions and configuration: See figure 1.

Interface dimensions shall conform to MIL-DTL-38999.

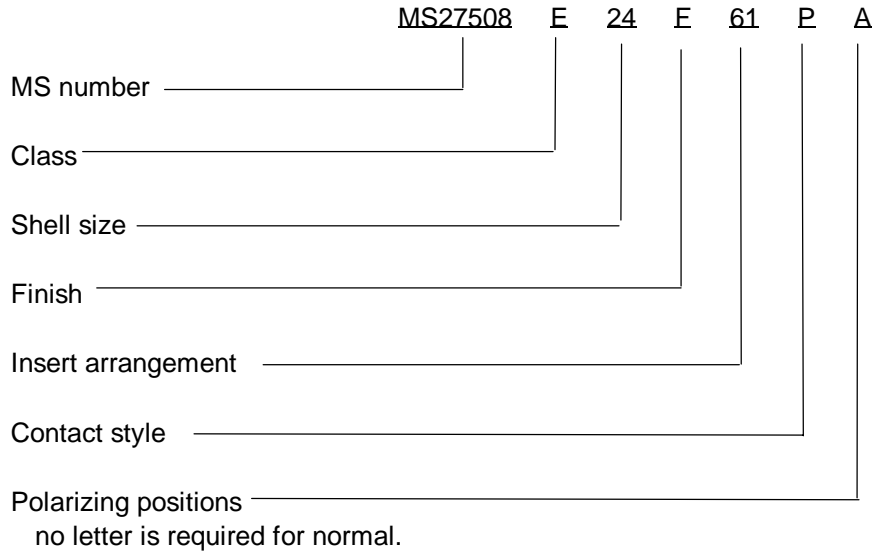
Mating connectors: MS27473, MS27480, MS27484 and MS27500.

Procurement specification: MIL-DTL-38999.

Insert arrangements: See MIL-STD-1560.

MS27508G

Part or Identifying Number (PIN) example:



CONCLUDING MATERIAL

Custodians:

- Army – CR
- Navy – AS
- Air Force – 11
- DLA – CC

Preparing activity:

DLA – CC

(Project 5935–4381)

Review activities:

- Army – AR, MI
- Navy – EC, MC, OS
- Air Force – 19, 99
- DLA – IS