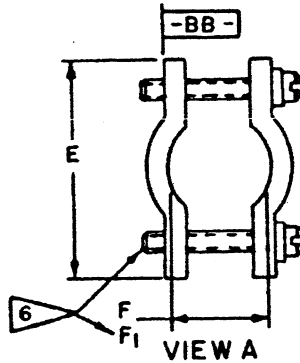
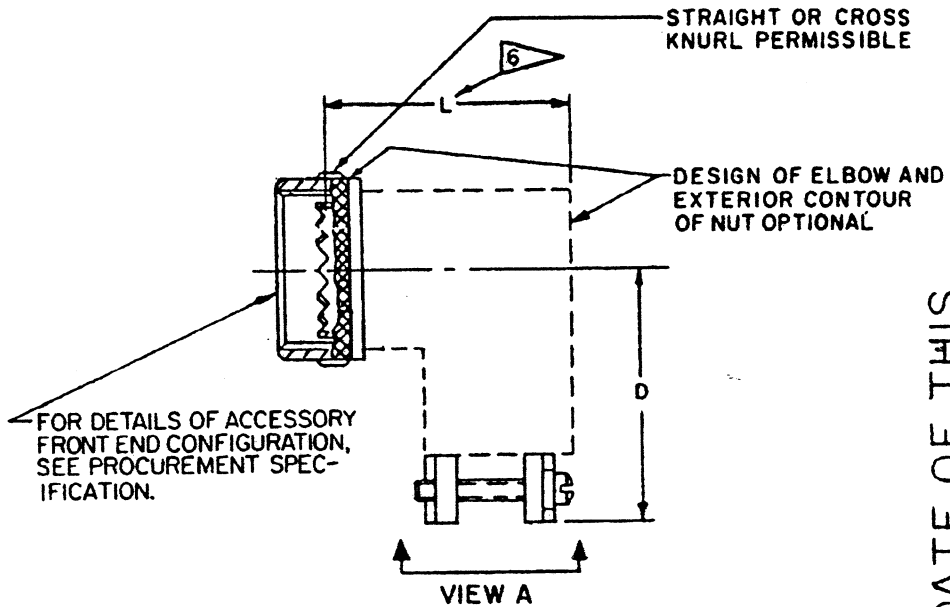
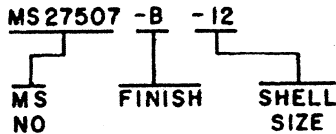


FED. SUP CLASS  
5935



EXAMPLE OF PART NUMBER



ⓔ DENOTES CHANGES

Army - Md. MU  
Navy - EC. MC. OS  
Air Force - 11. 15. 17. 80  
DSA - ES

Reviewer activities:

This military standard is approved for use by all Departments and Agencies of the Department of Defense. Selection for all new engineering and design applications and for repetitive use shall be made from this document.

ⓔ CANCELED 6 MONTHS FROM THE DATE OF THIS DOCUMENT. USE MIL-C-85049/47

APPROVED 8 MAR 68 REVISED ⓔ 13 AUG 74 ⓔ 2 JAN 1976 ⓔ 19 FEB 88

P.A. AF-85	International interest	TITLE ⓔ ADAPTER, CABLE CLAMP TO CONNECTOR, SERIES I AND II	MILITARY STANDARD MS 27507
Other Cust ARMY-EL NAVY-AS		SUPERSEDES: MS0027507 (USAF)	SHEET 1 OF 3
Procurement Specification MIL-C-38999			

DD FORM 672 (Coordinated) PREVIOUS EDITIONS OF THIS FORM ARE OBSOLETE  
1 SEP 63

5935-3565-02

AMSC N/A  
DISTRIBUTION STATEMENT A. Approved for public release; distribution is unlimited.