

INCH-POUND

MS27505G
 12 July 2002
 SUPERSEDING
 MS27502F
 15 April 1982

DETAIL SPECIFICATION SHEET

CONNECTORS, RECEPTACLE, ELECTRICAL, BACK PANEL, BOX
 MOUNTING FLANGE, CRIMP TYPE, BAYONET COUPLING, SERIES I

This specification is approved for use by all Departments
 and Agencies of the Department of Defense.

The requirements for acquiring the product described herein
 shall consist of this specification and MIL-DTL-38999.

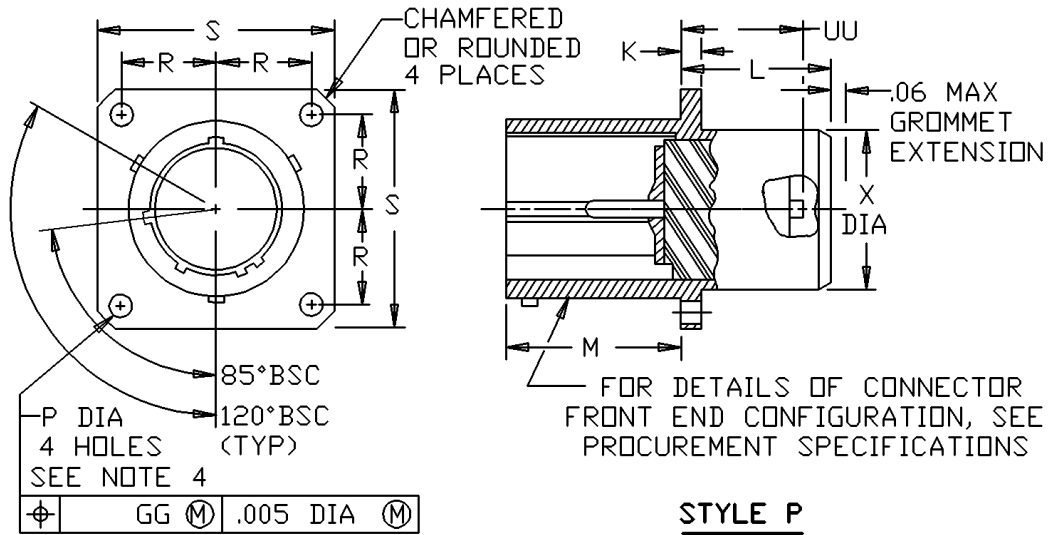


FIGURE 1. Receptacle, class E.

MS27505G

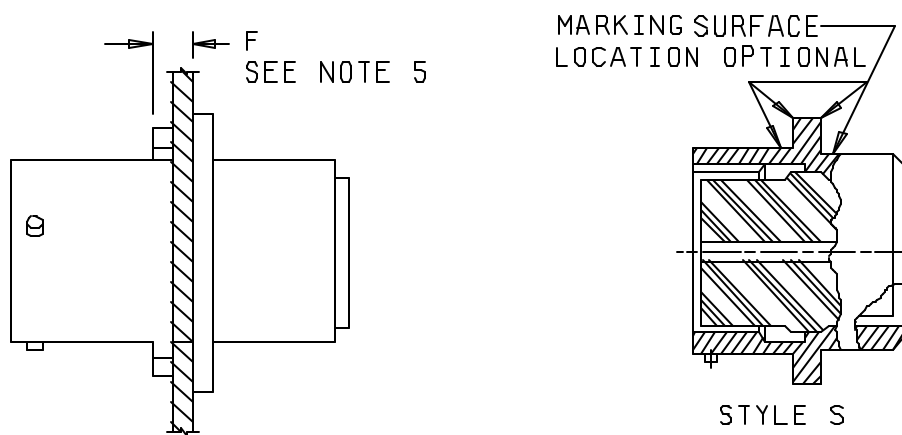


FIGURE 1. Receptacle, class E - Continued.

MS27505G

Shell size	K +.015 -.000	L max	M +.000 -.005	P dia +.010 -.005	R BSC	S ± .020	UU max	X max dia	F max
9	.085	.219	.820	.128	.3595	.938	.156	.547	.234
11					.406	1.031		.656	
13					.453	1.125		.828	
15					.4845	1.219		.953	
17					.531	1.312		1.078	
19					.578	1.438		1.203	
21	.115	.250	.790	.147	.625	1.562	.188	1.328	.204
23					.6875	1.688		1.453	
25					.750	1.812		1.578	.193

Inches	mm	Inches	mm	Inches	mm	Inches	mm	Inches	mm
.005	0.13	.147	3.73	.406	10.31	.750	19.05	1.219	30.96
.007	0.18	.156	3.96	.453	11.51	.790	20.07	1.312	33.32
.010	0.25	.193	4.90	.4845	12.31	.820	20.83	1.328	33.73
.015	0.38	.204	5.18	.531	13.49	.828	21.03	1.438	36.53
.020	0.51	.207	5.26	.547	13.89	.938	23.83	1.453	36.91
.031	0.79	.219	5.56	.560	14.22	.953	24.21	1.562	39.67
.06	1.5	.234	5.94	.578	14.68	1.031	26.19	1.578	40.08
.085	2.16	.250	6.35	.625	15.88	1.078	26.38	1.688	42.88
.115	2.92	.328	8.33	.656	16.66	1.125	27.58	1.812	46.02
.128	3.25	.3595	9.13	.6875	17.46	1.203	30.56		

NOTES:

1. Dimensions are in inches.
2. Metric equivalents are given for general information only.
3. For main keyway and keyway positions, see MIL-DTL-38999.
4. The gauge features for GG shall be .010 (0.25 mm) smaller than the MMC size at basic location.
5. Maximum panel thickness including mounting hardware.

FIGURE 1. Receptacle, classes E - Continued.

MS27505G

REQUIREMENTS:

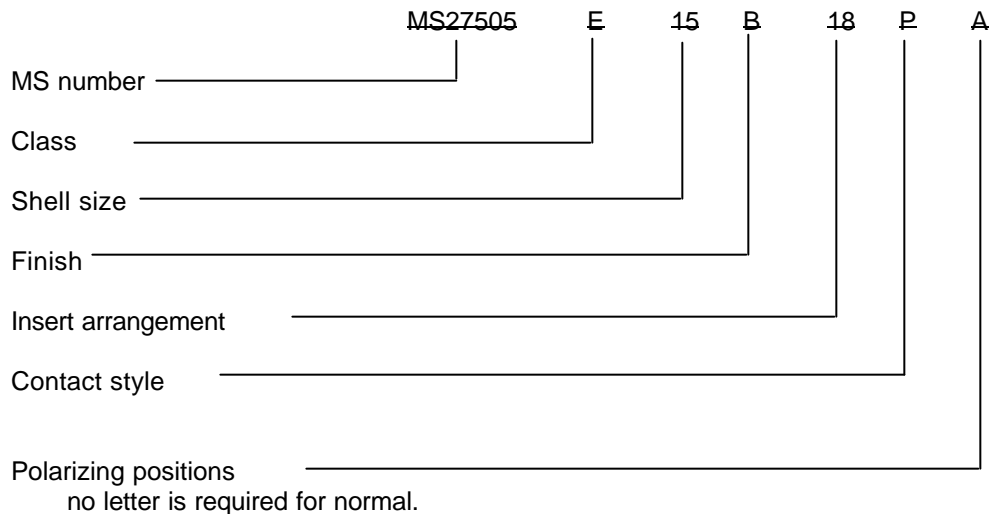
Dimensions and configuration: See figure 1.

Interface dimensions shall conform to MIL-DTL-38999.

Mating connectors: MS27467, MS27653, MIL-C-85049/45, and MIL-C-85049/46.

Insert arrangements: See MIL-STD-1560.

Part or Identifying Number (PIN) example:



CONCLUDING MATERIAL

Custodians:

- Army - CR
- Navy - AS
- Air Force - 11
- DLA - CC

Preparing activity:

DLA - CC

(Project 5935-4402)

Review activities:

- Army - AR, MI
- Navy - EC, MC, OS
- Air Force - 19, 99
- DLA - IS