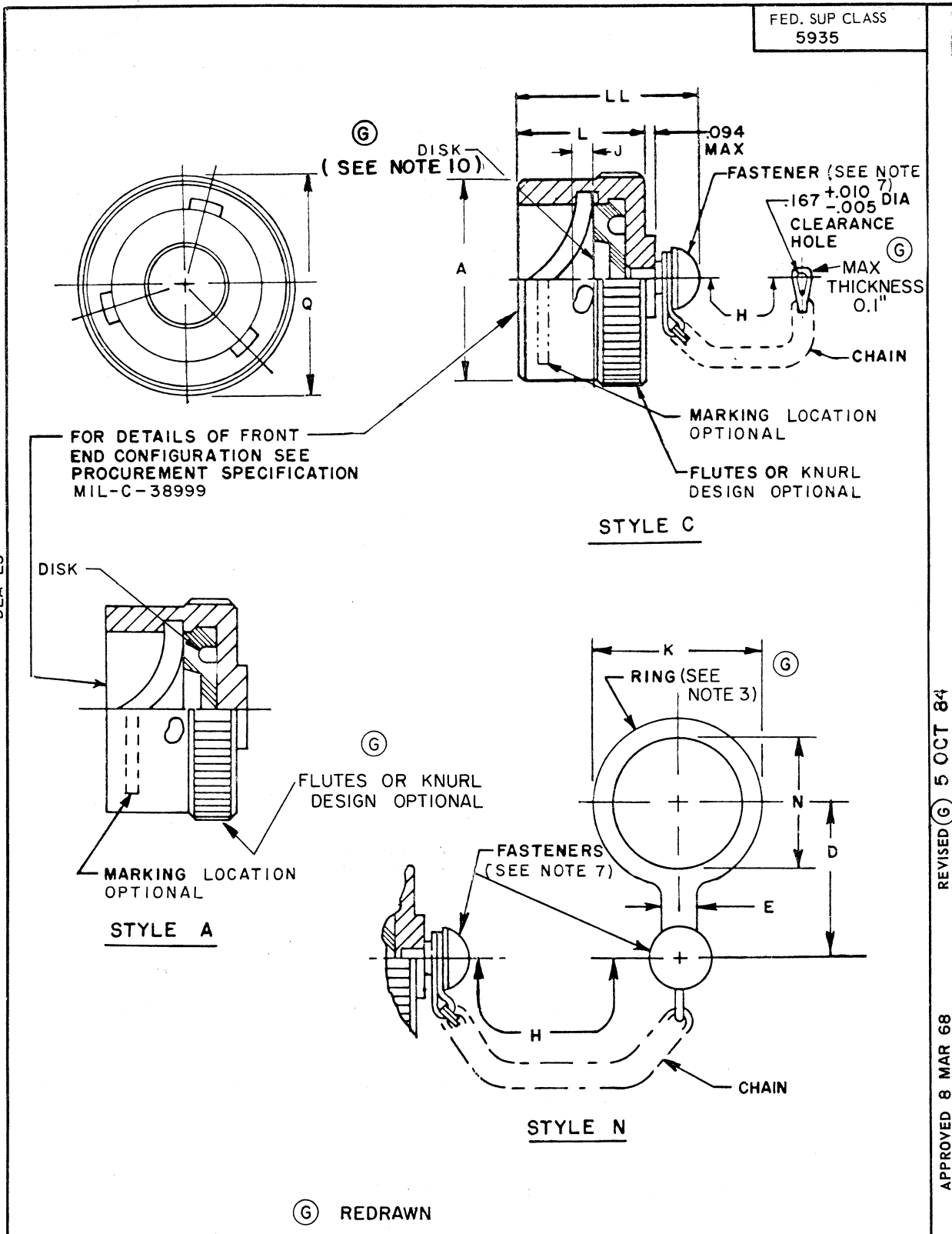


User activities: Army -
Navy -
Air Force -

Review activities: Army - MI, AR
Navy - EC, MC, OS
Air Force - 11, 15, 17, 99
DLA-ES

This military standard is approved for use by all Departments and Agencies of the Department of Defense. Selection for all new engineering and design applications and for repetitive use shall be made from this document when applicable.



REVISED Ⓒ 5 OCT 84

APPROVED 8 MAR 68

P.A AF-85	International interest	TITLE COVER, ELECTRICAL CONNECTOR, PROTECTIVE, RECEPTACLE, BAYONET COUPLING, SERIES I	MILITARY STANDARD
Other Cust ARMY-CR NAVY-AS		Ⓒ	MS27502
Procurement Specification MIL-C-38999		SUPERSEDES: MS27502(USAF)	PAGE 1 OF 2

User activities: Army - Navy - Air Force -

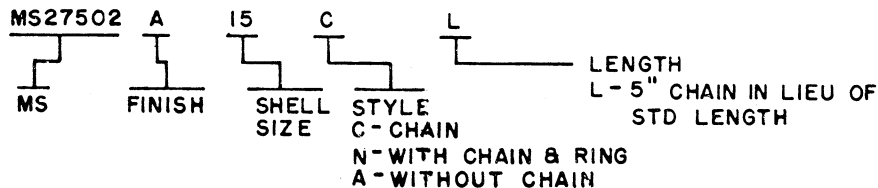
Review activities: Army - MI, AR - Navy - EC, MC, OS - Air Force - 11, 15, 17, 99 - DLA - ES

This military standard is approved for use by all Departments and Agencies of the Department of Defense. Selection for all new engineering and design applications and for repetitive use shall be made from this document when applicable.

A		Q		Shell size		D		H		L		LL		E		K		N		J	
Max Dia		Max Dia						+.50 -.25 Std. chain length		Max		Max		Min Ring throat		Max Dia		Min Dia		±.015	
						MAX MIN															
.82		.86		9		1.03 .71		3.0								1.03		.70			
.94		.98		11		1.13 .74										1.21		.84			
1.10		1.16		13		1.23 .93										1.40		1.01			
1.22		1.28		15		1.29 .99		3.5								1.60		1.14		.105	
1.34		1.41		17		1.35 1.05				.82		1.1		.23		1.70		1.26			
1.46		1.52		19		1.41 1.11										1.80		1.39			
1.58		1.65		21		1.47 1.18										1.92		1.51			
1.70		1.77		23		1.54 1.24		4.0								2.10		1.64			
1.83		1.89		25		1.60 1.30										2.20		1.76		.138	

INCHES	MM	INCHES	MM	INCHES	MM	INCHES	MM	INCHES	MM
.005	0.13	.74	18.8	1.13	28.7	1.39	35.3	1.77	45.0
.010	0.25	.82	20.8	1.14	29.0	1.40	35.6	1.80	45.7
.015	0.38	.84	21.3	1.16	29.5	1.41	35.8	1.83	46.5
.030	0.76	.86	21.8	1.18	30.0	1.46	37.1	1.89	48.0
.094	2.39	.93	23.6	1.21	30.7	1.47	37.3	1.92	48.7
0.1	2.5	.94	23.9	1.22	31.0	1.51	38.4	2.10	53.3
.105	2.67	.98	24.9	1.23	31.2	1.52	38.6	2.20	55.9
.138	3.51	.99	25.1	1.24	31.5	1.54	39.1	3.0	76.2
.167	4.24	1.01	25.7	1.26	32.0	1.58	40.1	3.5	88.9
.23	5.8	1.03	26.2	1.28	32.5	1.60	40.6	4.0	101.6
.25	6.4	1.05	26.7	1.29	32.8	1.64	41.7		
.50	12.7	1.10	27.9	1.30	33.0	1.65	41.9		
.70	17.8	1.1	28.0	1.34	34.0	1.70	43.2		
.71	18.0	1.11	28.2	1.35	34.3	1.76	44.7		

EXAMPLE OF PART NUMBER



NOTES:

- Dimensions are in inches.
- Metric equivalents are given for general information only.
- Material - Cover: Impact extruded or machined aluminum alloy.
Disk: Silicone elastomer.
Ring: Stainless steel, passivated, .030 maximum thickness.
Chain: Stainless steel, passivated, conforming to RR-C-271, type II, class 3.
Fastener: Stainless steel, passivated.
- Finish - See MIL-C-38999.
- For design feature purposes, this standard takes precedence over procurement documents referenced herein.
- Referenced documents shall be of the issue in effect on date of invitation for bid.
- The chain shall rotate freely on the cover fastener.
- Applicable connectors: MIL-C-27599 series I and MIL-C-38999 series I.
- Fastener tensile strength shall be 5 pounds.
- Disk shall be bonded or mechanically retained.

P.A. AF 85	International interest	TITLE COVER, ELECTRICAL CONNECTOR, PROTECTIVE, RECEPTACLE BAYONET COUPLING, SERIES I	MILITARY STANDARD
Other Cust ARMY-CR NAVY-AS			MS27502
Procurement Specification MIL-C-38999	SUPERSEDES: MS27502(USAF)		PAGE 2 OF 2

REVISED APPROVED 8 MAR 68 FOR CHANGES SEE SHEETS 1 & 2