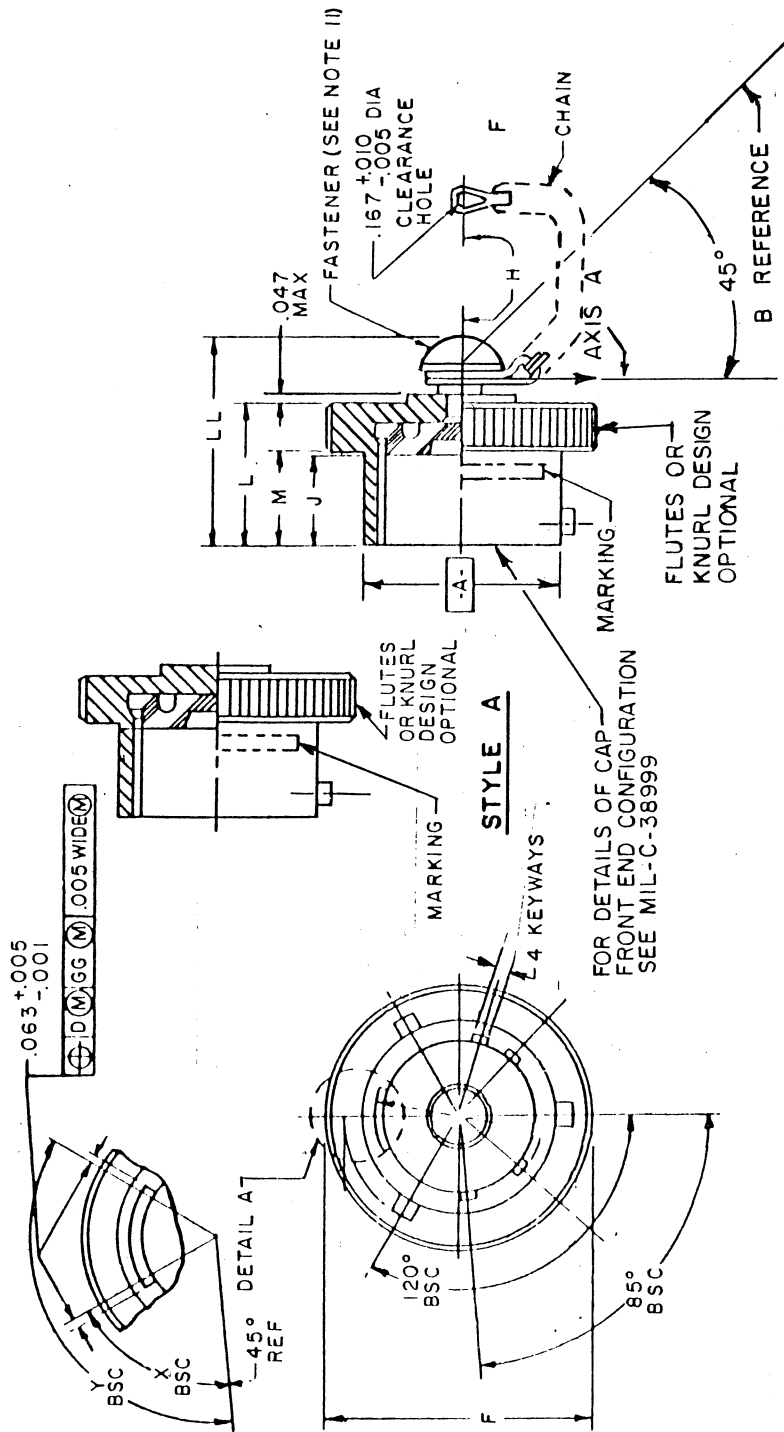


User activities: Army -
Navy -
Air Force -

Review activities: Army - MI, AR
Navy - EC, MC, OS
Air Force - 15, 19, 99
DLA - ES

This military standard is approved for use by all Departments and Agencies of the Department of Defense. Selection for all new engineering and design applications and for repetitive use shall be made from this document when applicable.



STYLE C

STYLE A

(F) Denotes change

P.A AF - 85	International interest	TITLE COVER, PROTECTIVE, ELECTRICAL CONNECTOR PLUG, BAYONET COUPLING, SERIES I	MILITARY STANDARD
Other Cust ARMY - CR Navy - AS			MS2750I
Procurement Specification MIL-C-38999	SUPERSEDES:		PAGE 1 OF 3

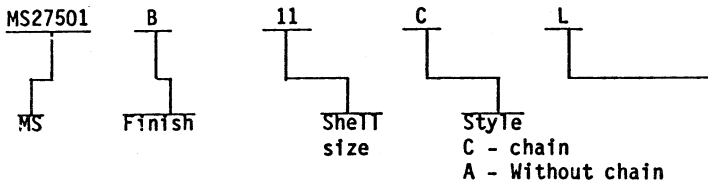
DD FORM 672 (Coordinated) PREVIOUS EDITIONS OF THIS FORM ARE OBSOLETE.
1 MAY 73
AMSC N/A

DISTRIBUTION STATEMENT A. Approved for public release; distribution is unlimited.

5935-3613-01

APPROVED 8 Mar 68 REVISED B 2 Jan 76 C 31 Jan 77 D 27 Dec 77 E 18 Sep 80 F 31 MAR 88

Example of part number



Length (tolerance - $+ .500$
 $- .250$)
L - 5 inch chain in lieu
of standard length
M - 6 inch chain in lieu
of standard length
N - 7 inch chain in lieu
of standard length

User activities: Army -
Navy -
Air Force -

Review activities: MI, AR
Army - EC, MC, OS
Navy -
Air Force - 15, 19, 99
DLA ES

Table I dimensions

Shell size	A $+ .001$ $- .005$ Dia	B Max dia	H $+ .500, - .250$ Standard chain Length	J $+ .010$ $- .015$	L Max	M Min	X	Y	LL Max
9	.572	.82	3.0				77°	113°	
11	.700	.94					67°	123°	
13	.850	1.07	3.5	.567	.9	.58	63°	127°	1.16
15	.975	1.19					61°	129°	
17	1.100	1.32					65°	125°	
19	1.207	1.44					69°	121°	
21	1.332	1.57	4.0						
23	1.457	1.69							
25	1.582	1.82							

APPROVED 8 Mar 68 REVISION (F) For changes see pages 1, 2, and 3

This military standard is approved for use by all Departments and Agencies of the Department of Defense. Selection for all new engineering and design applications and for repetitive use shall be made from this document when applicable.

P.A AF - 85	International interest	TITLE COVER, PROTECTIVE, ELECTRICAL CONNECTOR PLUG, BAYONET COUPLING, SERIES I	MILITARY STANDARD
Other Cust Army - CR Navy - AS			MS27501
Procurement Specification MIL-C-38999		SUPERSEDES:	PAGE 2 OF 3

User activities: Army -
Navy -
Air Force -

Review activities: MI, AR
Army - MI, AR
Navy - EC, MC, OS
Air Force - 15, 19, 99

This military standard is approved for use by all Departments and Agencies of the Department of Defense. Selection for all new engineering and design applications and for repetitive use shall be made from this document when applicable.

Inches	mm	Inches	mm	Inches	mm
.001	0.03	.82	20.8	1.457	37.01
.005	0.13	.850	21.59	1.57	39.9
.010	0.25	.9	22.9	1.582	40.18
.015	0.38	.94	23.9	1.69	42.9
.047	1.19	.975	24.76	1.82	46.2
.063	1.60	1.075	27.2	3.0	76.
.167	4.24	1.100	27.94	3.5	89.
.250	6.35	1.16	29.5	4.0	102.
.500	12.70	1.19	30.2	5.0	127.
.567	14.40	1.207	30.66	6.0	152.
.572	14.53	1.32	33.5	7.0	178.
.58	14.7	1.332	33.83		
.700	17.78	1.44	36.6		

NOTES:

1. Dimensions are in inches.
2. Metric equivalents are given for general information only.
3. Material: Cap: Impact extruded or machined aluminum alloy.
Disk: Silicone elastomer.
Chain: Stainless steel, passivated, conforming to RR-C-271, type II, class 3.
Fastener: Stainless steel, passivated.
4. Finish: See MIL-C-38999.
5. BSC dimensions apply at maximum material condition (MMC).
6. The gauge features for GG shall be .004 (.10 mm) smaller than MMC size at basic location.
7. In the event of conflict between the text of this standard and the referenced cited herein, the text of this standard shall take precedence.
8. Referenced Government documents of the issue listed in that issue of the Department Defense Index of Specifications and Standards (DODISS) specified in the solicitation form a part of this standard to the extent specified herein.
9. Applicable connectors: MIL-C-27599 series I and MIL-C-38999 series I.
10. The protective cover and chain assembly shall withstand a static tensile load of 35 pounds applied along the B reference line for 5 minutes.
11. The chain shall rotate freely on the fastener.
12. Not for space born applications.

P.A. AF - 85	International Interest	TITLE COVER, PROTECTIVE, ELECTRICAL CONNECTOR PLUG, BAYONET COUPLING, SERIES I	MILITARY STANDARD
Other Cust Army - CR Navy - AS			MS 27501
Procurement Specification MIL-C-38999	SUPERSEDES:		PAGE 3 OF 3

DD FORM 1 MAY 73 672 (Coordinated) PREVIOUS EDITIONS OF THIS FORM ARE OBSOLETE.

APPROVED 8 Mar 68 REVISED (F) For changes see pages 1, 2, and 3