

INCH-POUND

MS27499H  
 12 July 2002  
 SUPERSEDING  
 MS27499G  
 15 June 1984

DETAIL SPECIFICATION SHEET

CONNECTORS, RECEPTACLE, ELECTRICAL, BOX MOUNTING  
 FLANGE, CRIMP TYPE, BAYONET COUPLING, SERIES II

This specification is approved for use by all Departments  
 and Agencies of the Department of Defense.

The requirements for acquiring the product described herein  
 shall consist of this specification and MIL-DTL-38999.

Inactive for new design

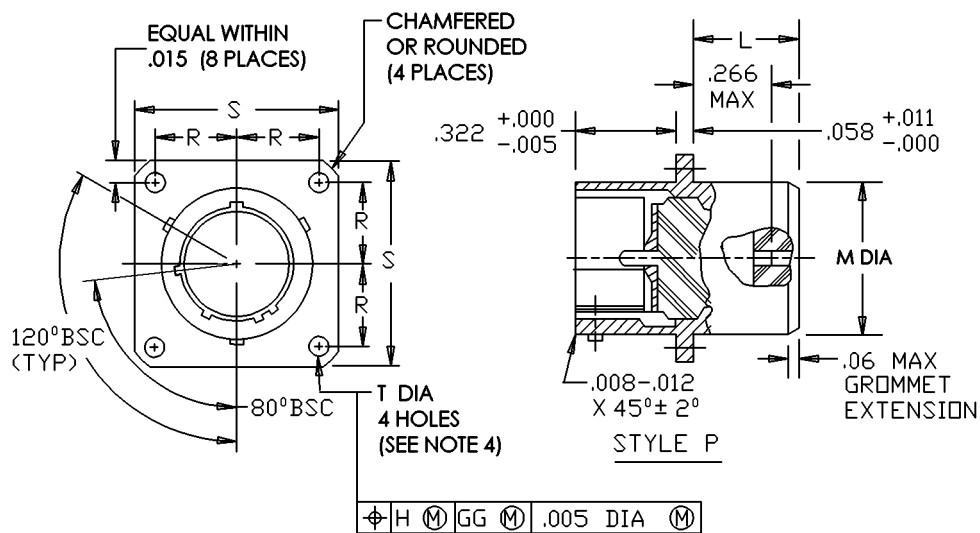
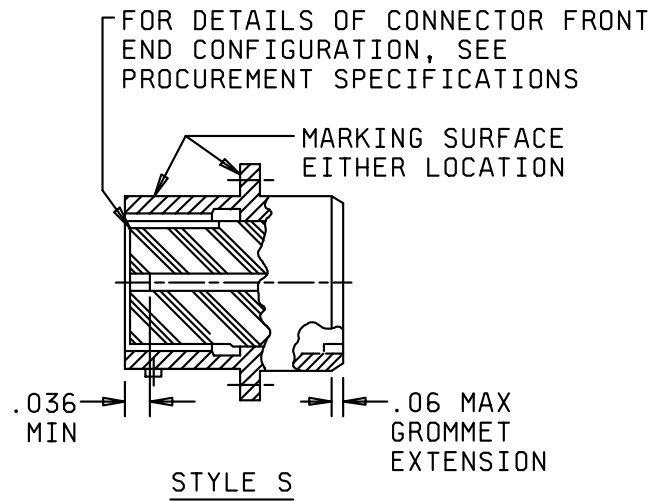


FIGURE 1. Receptacle, class E.

## MS27499H



Shell size	L max	M max	R BSC	S max	T +.010 -.005
8	.312	.453	.297	.828	.120
10		.578	.3595	.954	
12		.703	.406	1.047	
14		.828	.453	1.141	
16		.953	.4845	1.234	
18		1.062	.531	1.328	
20		1.188	.578	1.453	
22		1.312	.625	1.578	
24		1.438	.6875	1.703	

FIGURE 1. Receptacle, class E – Continued.

## MS27499H

Inches	mm	Inches	mm	Inches	mm	Inches	mm
.005	0.13	.147	3.73	.6875	17.45	1.328	33.73
.007	0.18	.223	5.66	.703	17.85	1.391	35.33
.008	0.20	.266	6.76	.828	21.03	1.438	36.53
.010	0.25	.297	7.54	.953	24.21	1.453	36.91
.011	0.28	.312	7.92	.954	24.23	1.516	39.80
.012	0.30	.322	8.15	1.047	25.59	1.578	40.08
.015	0.38	.3595	9.13	1.062	26.97	1.641	41.68
.036	0.91	.406	10.31	1.078	27.38	1.703	43.26
.058	1.47	.453	11.51	1.141	28.98	1.766	44.86
.06	1.5	.4845	12.31	1.188	30.18	1.891	48.03
.120	3.05	.531	13.49	1.234	31.34	2.016	51.21
.123	3.12	.578	14.68	1.266	32.16	2.204	55.98
.139	3.53	.625	15.88	1.312	33.32		

## NOTES:

1. Dimensions are in inches.
2. Metric equivalents are given for general information only.
3. For main key and key positions, see MIL-DTL-38999.
4. The gauge feature for GG shall be .010 inch (0.25 mm) smaller than the MMC size at base location.
5. Dimensioning and tolerances are in accordance with ANSI Y 14.5-1973.

FIGURE 1. Receptacle, class E – Continued.

MS27499H

REQUIREMENTS:

Dimensions and configuration: See figure 1.  
 Interface dimensions shall conform to MIL-DTL-38999.  
 This receptacle mates with MS27473, MS27480, MS27484 and MS27500.  
 Procurement Specification: MIL-DTL-38999.  
 Insert arrangements: See MIL-STD-1560.

Part or Identifying Number (PIN) example:



CONCLUDING MATERIAL

Custodians:  
 Army – CR  
 Navy – AS  
 Air Force – 11  
 DLA – CC

Preparing activity:  
 DLA – CC  
 (Project 5935–4378)

Review activities:  
 Army – AR, MI  
 Navy – EC, MC, OS  
 Air Force – 19, 99