

INCH-POUND

MS27497P  
 2 February 2012  
 SUPERSEDING  
 MS27497N  
 12 July 2002

DETAIL SPECIFICATION SHEET

CONNECTORS, RECEPTACLE, ELECTRICAL, BACK PANEL, WALL  
 MOUNTING FLANGE, CRIMP TYPE, BAYONET COUPLING, SERIES II

Reactivated after 24 May 2004 and may be used  
 for new and existing designs and acquisitions.

This specification is approved for use by all Departments  
 and Agencies of the Department of Defense.

The requirements for acquiring the product described herein  
 shall consist of this specification sheet and MIL-DTL-38999.

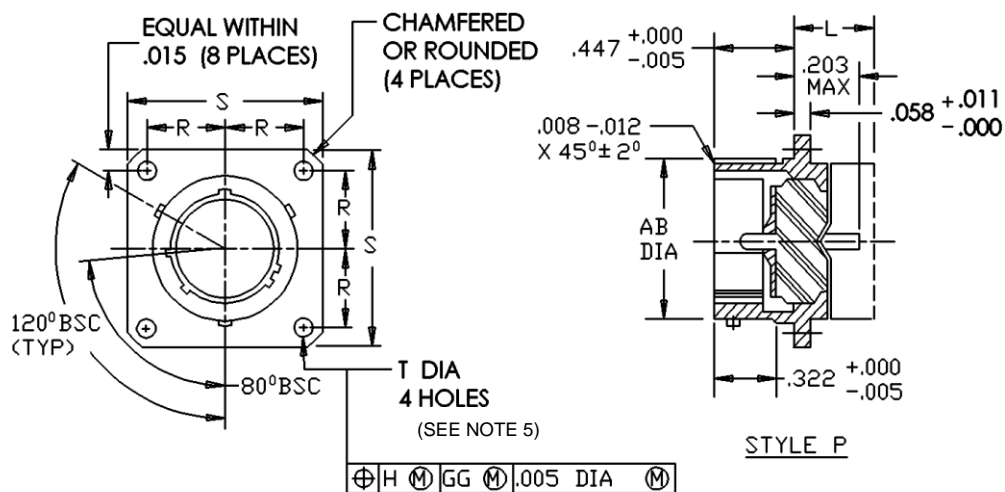


FIGURE 1. Receptacle, classes E, T, and P.

MS27497P

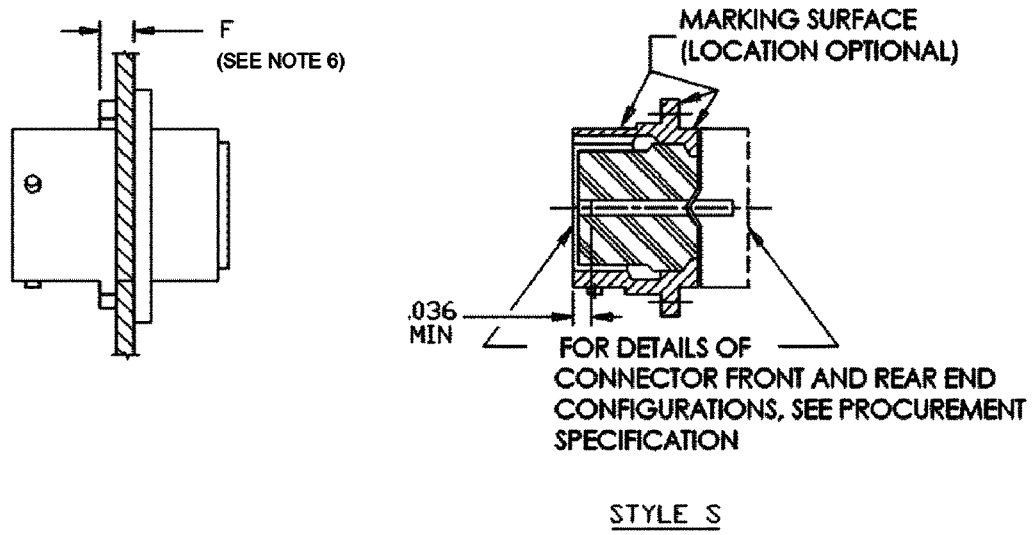


FIGURE 1. Receptacle, classes E, T, and P – Continued.

## MS27497P

Shell size	R BSC	S max	T +.010 -.005	AB max dia	F max
8	.297	.828	.120	.547	.146
10	.3595	.954		.672	
12	.406	1.047		.844	
14	.453	1.141		.969	
16	.4845	1.234		1.094	
18	.531	1.328		1.219	
20	.578	1.453		1.344	
22	.625	1.578		1.469	
24	.6875	1.703	.147	1.594	

Shell size	L (class E) max length	L (class P) max length	L (class T) max length	YY Thread (PLATED) UNEF-2B Size
8	.562	.641	.391	.500-28
10				.625-24
12				.750-20
14				.875-20
16				1.000-20
18				1.125-18
20				1.250-18
22				1.375-18
24	.703	.469	1.500-18	

FIGURE 1. Receptacle, classes E, T, and P – Continued.

## MS27497P

Inches	mm	Inches	mm	Inches	mm	Inches	mm
.003	0.08	.406	10.31	.828	21.03	1.359	34.52
.005	0.13	.447	11.35	.844	21.44	1.375	34.92
.008	0.20	.453	11.51	.859	21.82	1.391	35.33
.011	0.28	.469	11.91	.875	22.22	1.453	36.91
.012	0.30	.4845	12.306	.954	24.23	1.469	37.31
.015	0.38	.500	12.70	.969	24.61	1.484	37.69
.020	0.51	.531	13.49	.984	24.99	1.500	38.10
.036	0.91	.547	13.89	1.047	26.59	1.516	38.51
.058	1.47	.562	14.27	1.078	27.38	1.578	40.08
.120	3.05	.578	14.68	1.094	27.79	1.594	40.49
.146	3.71	.609	15.47	1.125	28.58	1.609	40.87
.147	3.73	.625	15.88	1.141	28.98	1.641	41.68
.168	4.23	.641	16.28	1.219	30.96	1.703	43.26
.203	5.16	.672	17.07	1.234	31.34	1.766	44.86
.297	7.54	.6875	17.462	1.250	31.75	1.891	48.03
.322	8.18	.703	17.86	1.266	32.16	2.016	51.21
.3595	9.131	.734	18.64	1.328	33.73	2.204	55.98
.391	9.93	.750	19.05	1.344	34.14		

## NOTES:

1. Dimensions are in inches
2. Metric equivalents are given for information only.
3. For main keyway and keyway positions, see MIL-DTL-38999.
4. Class E rear accessory thread of shell is external.
5. The gauge feature for GG shall be .010 inch (0.25 mm) smaller than the MMC size at basic location.
6. Maximum panel thickness including mounting hardware.

FIGURE 1. Receptacle, classes E, T, and P – Continued.

## MS27497P

## REQUIREMENTS:

Dimensions and configuration: See figure 1.

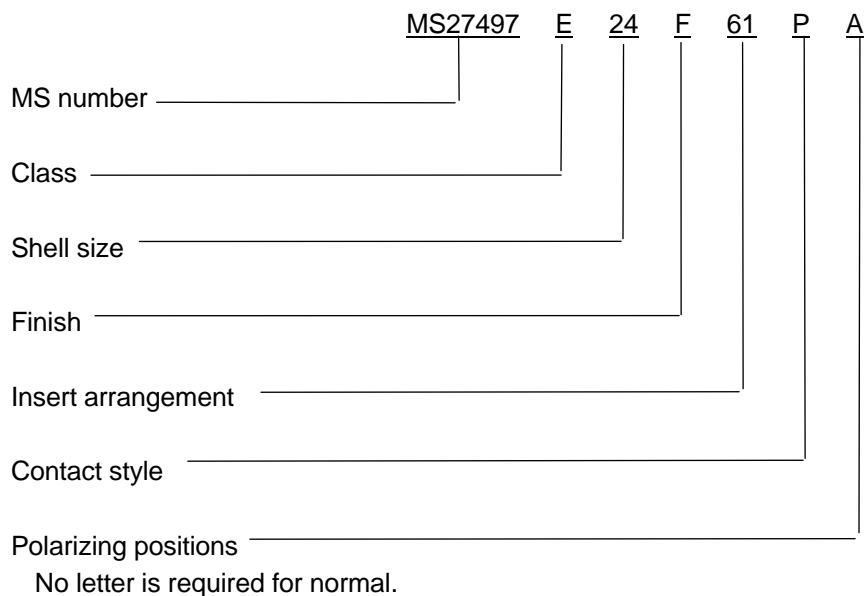
Interface dimensions shall be in accordance with MIL-DTL-38999.

This receptacle mates with MS27473, MS27480, MS27484 and MS27500.

Procurement specification: MIL-DTL-38999.

Insert arrangements: See MIL-STD-1560.

Part or Identifying Number (PIN) example:



Changes from previous issue. Marginal notations are not used in this revision to identify changes with respect to the previous issue, due to the extent of the changes.

Referenced documents. In addition to MIL-DTL-38999, this document references the following:

MIL-STD-1560  
 MS27473  
 MS27480  
 MS27484  
 MS27500

MS27497P

CONCLUDING MATERIAL

Custodians:

Army – CR  
Navy – AS  
Air Force – 85  
DLA – CC

Preparing activity:

DLA – CC

(Project 5935–2012-053)

Review activities:

Army – AR, MI  
Navy – EC, MC, OS  
Air Force – 19, 99  
DLA – IS

NOTE: The activities listed above were interested in this document as of the date of this document. Since organizations and responsibilities can change, you should verify the currency of the information above using the ASSIST Online database at <https://assist.daps.dla.mil>.