

INCH-POUND

MS27496H  
 2 February 2012  
 SUPERSEDING  
 MS27496G  
 12 July 2002

DETAIL SPECIFICATION SHEET

CONNECTORS, RECEPTACLE, ELECTRICAL, BOX MOUNTING,  
 CRIMP TYPE, BAYONET COUPLING, SERIES I

This specification is approved for use by all Departments  
 and Agencies of the Department of Defense.

The requirements for acquiring the product described herein  
 shall consist of this specification sheet and MIL-DTL-38999.

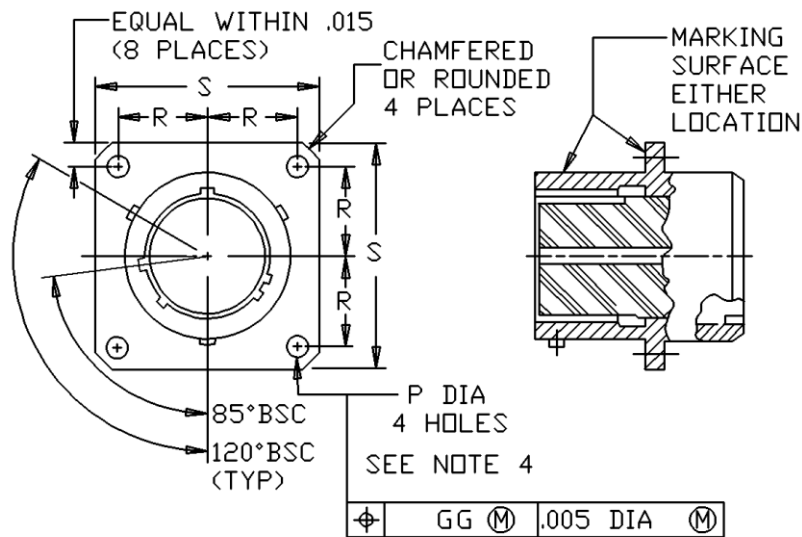


FIGURE 1. Receptacle, class E.

MS27496H

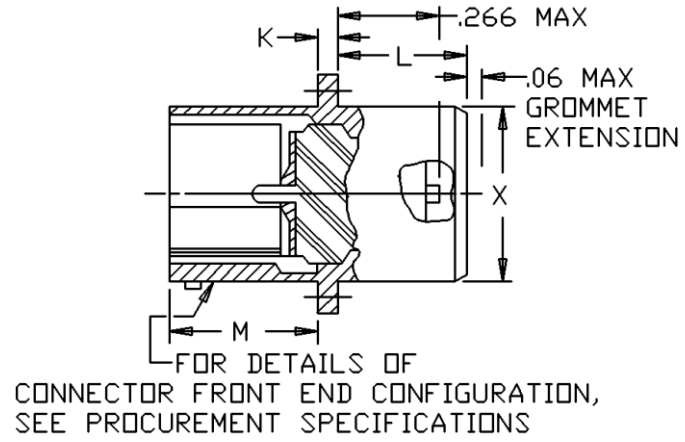


FIGURE 1. Receptacle, class E - Continued.

## MS27496H

Shell size	K +.015 -.000	L max	M +.000 -.005	P dia +.010 -.005	R BSC	S ±.020	X max dia
9	.085	.312	.632	.128	.3595	.938	.469
11					.406	1.031	.594
13					.453	1.125	.719
15					.4845	1.219	.844
17					.531	1.312	.969
19					.578	1.438	1.078
21	.115		.602	.147	.625	1.562	1.203
23					.6875	1.688	1.328
25					.750	1.812	1.453

Inches	mm	Inches	mm	Inches	mm	Inches	mm
.005	0.13	.3595	9.13	.625	15.88	1.125	27.58
.007	0.18	.406	10.31	.632	16.05	1.203	30.56
.010	0.25	.453	11.51	.6875	17.46	1.219	30.96
.015	0.38	.469	11.91	.719	18.26	1.312	33.32
.020	0.51	.4845	12.31	.750	19.05	1.328	33.73
.085	2.16	.531	13.49	.844	21.44	1.438	36.53
.115	2.29	.560	14.22	.938	23.83	1.453	36.91
.128	3.25	.578	14.68	.969	24.61	1.562	39.67
.147	3.73	.594	15.09	1.031	26.19	1.688	42.88
.266	6.76	.602	15.29	1.078	26.38	1.812	46.02
.312	7.92						

## NOTES:

1. Dimensions are in inches.
2. Metric equivalents are given for information only.
3. For main keyway and keyway positions, see MIL-DTL-38999.
4. The gauge features for GG shall be .010 (0.25 mm) smaller than the MMC size at basic location.

FIGURE 1. Receptacle, class E - Continued.

## MS27496H

## REQUIREMENTS:

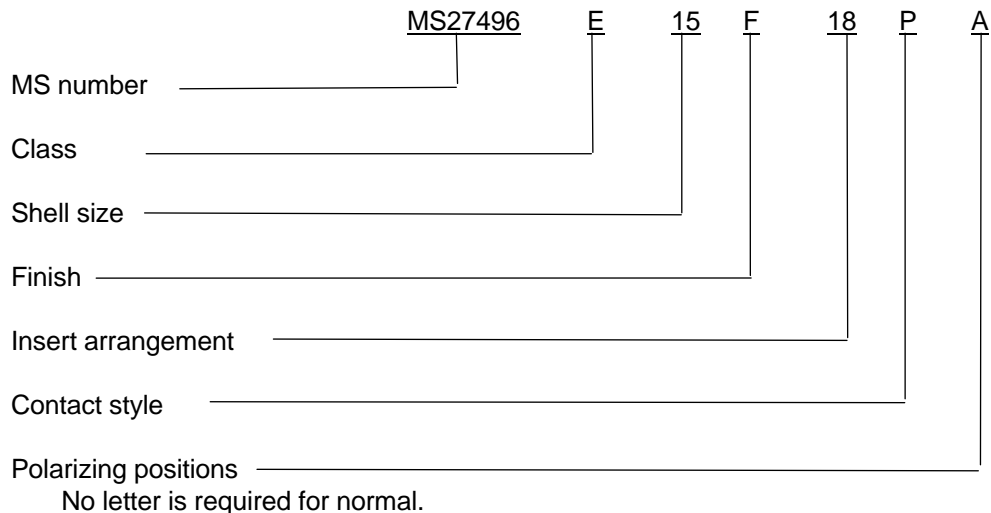
Dimensions and configuration: See figure 1.

Interface dimensions shall be in accordance with MIL-DTL-38999.

Mating connectors: MS27467, MS27661 and MS27653.

Insert arrangements: See MIL-STD-1560.

Part or Identifying Number (PIN) example:



Changes from previous issue. Marginal notations are not used in this revision to identify changes with respect to the previous issue, due to the extent of the changes.

Referenced documents. In addition to MIL-DTL-38999, this document references the following:

MIL-STD-1560  
MS27467  
MS27661  
MS27653

## CONCLUDING MATERIAL

Custodians:  
Army - CR  
Navy - AS  
Air Force - 85  
DLA - CC

Preparing activity:  
DLA - CC  
  
(Project 5935-2012-022)

Review activities:  
Army - AR, MI  
Navy - EC, MC, OS  
Air Force - 19, 99

NOTE: The activities listed above were interested in this document as of the date of this document. Since organizations and responsibilities can change, you should verify the currency of the information above using the ASSIST Online database at <https://assist.daps.dla.mil>.