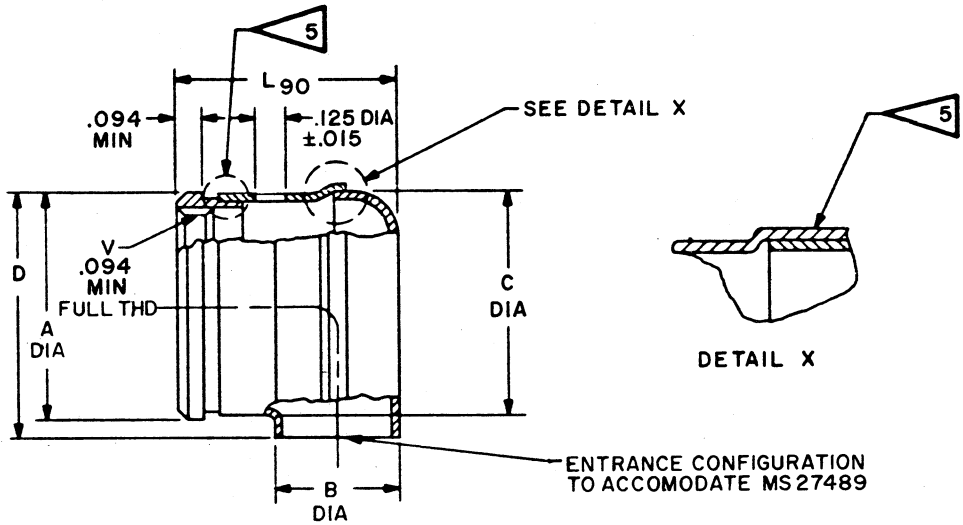
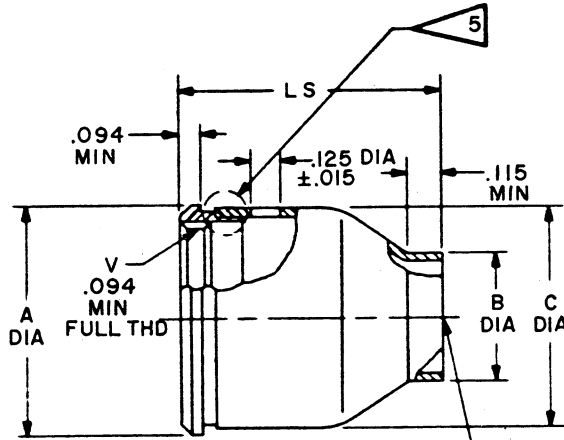


FED. SUP CLASS
5935



90° ELBOW ADAPTER

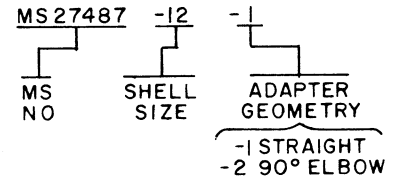
-2



STRAIGHT ADAPTER

-1

EXAMPLE OF PART NUMBER



Ⓧ FOR CHANGES SEE SHEETS 1 & 2

Reviewer activities:
Army - MT, MU
Navy - EC, MC, OS
Air Force - 11, 15, 17, 80
DSA - ES

This military standard is approved for use by all Departments and Agencies of the Department of Defense. Selection for all new engineering and design applications and for repetitive use shall be made from this document.

P.A. AF-85	International interest	TITLE KIT, STRAIGHT & 90° THREADED ADAPTER, EMR HARDWARE FOR MIL-C-38999 CONNECTORS	MILITARY STANDARD
Other Cust ARMY-EL NAVY-AS			MS27487
Procurement Specification MIL-C-38999		SUPERSEDES: MS27487(USAF)	SHEET 1 OF 2

DD FORM 1 SEP 63 672 (Coordinated) PREVIOUS EDITIONS OF THIS FORM ARE OBSOLETE.

5935-2005-28

APPROVED 8 SEP 66 REVISED 13 AUG 74 2 JAN 1976

FED. SUP CLASS
5935

WILL FIT SHELL SIZE		A	B	C	D	LS	L ₉₀	V
SERIES I	SERIES II	MAX DIA	MAX DIA	MAX DIA	MAX DIA	MAX	MAX	THREAD UNEF CLASS 2B
8	9	.594	.359	.516	.656	.844	.719	.4375-28
10	11	.719	.406	.641	.781	.969	.766	.5625-24
12	13	.844	.500	.766	.938	1.094	.859	.6875-24
14	15	.969	.578	.891	1.062	1.156	.938	.8125-20
16	17	1.094	.641	1.016	1.219	1.219	1.000	.9375-20
18	19	1.219	.688	1.141	1.344	1.344	1.047	1.0625-18
20	21	1.344	.734	1.265	1.469	1.469	1.094	1.1875-18
22	23	1.469	.796	1.391	1.594	1.594	1.156	1.3125-18
24	25	1.594	.859	1.516	1.719	1.719	1.219	1.4375-18

INCHES	MM	INCHES	MM	INCHES	MM
.015	.38	.719	18.26	1.062	26.97
.094	2.39	.734	18.64	1.094	27.79
.115	2.92	.766	19.46	1.141	28.98
.125	3.18	.781	19.84	1.156	29.36
.359	9.12	.796	20.22	1.219	30.96
.406	10.31	.844	21.44	1.265	32.13
.500	12.70	.859	21.82	1.344	34.14
.516	13.11	.891	22.63	1.391	35.33
.578	14.68	.938	23.83	1.469	37.31
.594	15.09	.969	24.61	1.516	38.51
.641	16.28	1.000	25.40	1.594	40.49
.656	16.66	1.016	25.81	1.719	43.66
.688	17.48	1.047	26.59		

NOTES:

- Dimensions are in inches.
- Metric equivalents (to the nearest .01 mm) are given for general information only and are based upon 1 inch = 25.4 mm.
- Material: Copper alloy.
Finish: Tin-lead, solder plated.
- Type I may be of a 2 (two) piece construction. Type II may be of a 3 (three) piece construction. Individual pieces shall be shipped unassembled.
- Method of joining components is optional.
- For design feature purposes, this standard takes precedence over procurement documents referenced herein.
- Referenced documents shall be of the issue in effect on date of invitation for bid.

Army - MI, MU
Navy - EC, MC, OS
Air Force - 11, 15, 17, 80
DSA - ES

Reviewer activities:

This military standard is approved for use by all Departments and Agencies of the Department of Defense. Selection for all new engineering and design applications and for repetitive use shall be made from this document.

P.A. AF-85	International interest	TITLE KIT, STRAIGHT & 90° THREADED ADAPTER, EMR HARDWARE FOR MIL-C-38999 CONNECTORS.	MILITARY STANDARD
Other Cust ARMY-EL NAVY-AS			MS27487
Procurement Specification MIL-C-38999	SUPERSEDES:		SHEET 2 OF 2

DD FORM 672 (Coordinated) PREVIOUS EDITIONS OF THIS FORM ARE OBSOLETE.
1 SEP 63

REVISED 8 SEPT 66 APPROVED FOR CHANGES SEE SHEETS 1 & 2