

INCH-POUND

MS27478F
 12 July 2002
 SUPERSEDING
 MS27478E
 2 January 1976

DETAIL SPECIFICATION SHEET

CONNECTORS, RECEPTACLE, ELECTRICAL, SOLDER MOUNTING, SOLDER TYPE, HERMETIC SEAL, SERIES II

This specification is approved for use by all Departments and Agencies of the Department of Defense.

The requirements for acquiring the product described herein shall consist of this specification and MIL-DTL-38999.

Inactive for new design

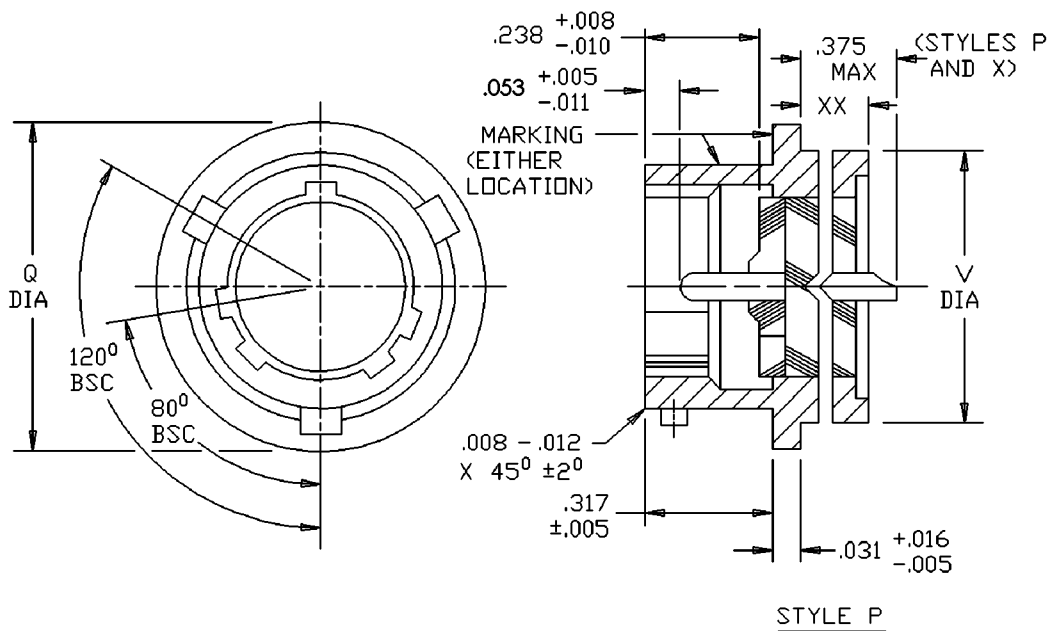
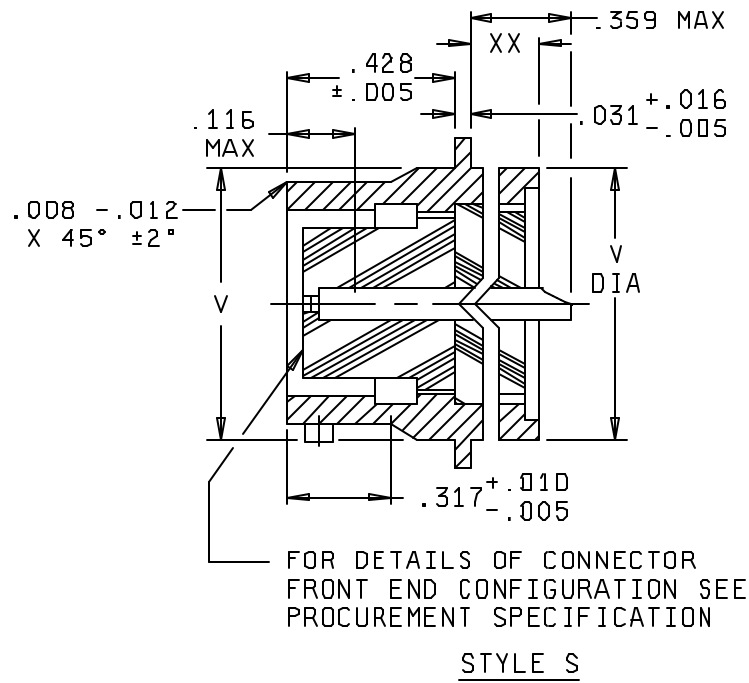


FIGURE 1. Receptacle, class Y.

MS27478F



Shell size	Q +.011 -.010 dia	V +.001 -.005 dia	XX max
8	.687	.562	.125
10	.797	.672	
12	.906	.781	
14	1.031	.906	
16	1.156	1.031	
18	1.281	1.156	
20	1.375	1.250	.156
22	1.500	1.375	
24	1.625	1.500	

FIGURE 1. Receptacle, class Y – Continued.

MS27478F

Inches	mm	Inches	mm	Inches	mm	Inches	mm
.001	.03	.016	.41	.359	9.12	.906	23.01
.003	.08	.031	.79	.375	9.53	1.031	26.19
.005	.13	.053	1.35	.428	10.87	1.156	29.36
.007	.18	.116	2.95	.562	14.27	1.250	31.75
.008	.20	.125	3.18	.672	17.07	1.281	32.54
.010	.25	.156	3.96	.687	17.45	1.375	34.93
.011	.28	.238	6.05	.781	19.84	1.500	38.10
.012	.30	.317	8.05	.797	20.24	1.625	41.28

NOTES:

1. Dimensions are in inches.
2. Metric equivalents are given for general information only.
3. For main key polarization and key positions, see MIL-DTL-38999.

FIGURE 1. Receptacle, class Y – Continued.

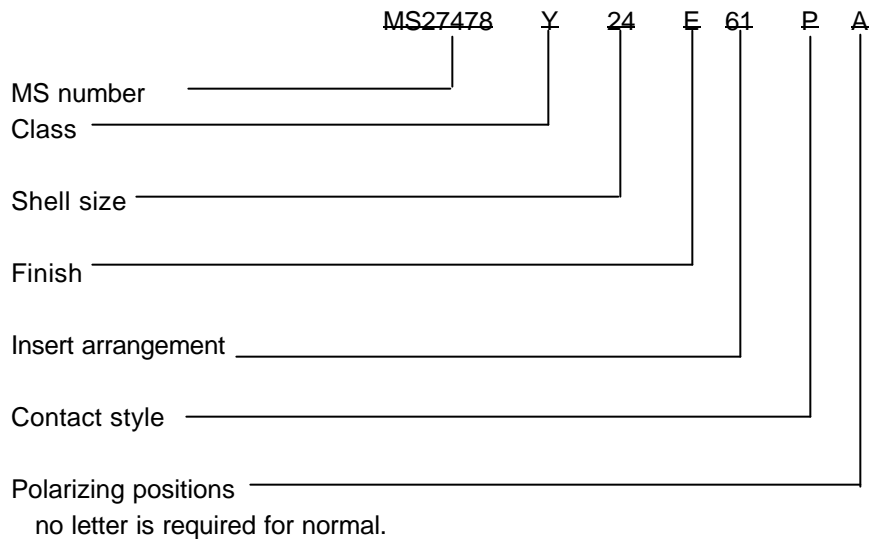
MS27478F

REQUIREMENTS:

Dimensions and configuration: See figure 1. Interface dimensions shall conform to MIL-DTL-38999. This receptacle mates with MS27473, MS27480, MS27484 and MS27500.

Insert arrangements: See MIL-STD-1560.

Part or Identifying Number (PIN) example:



CONCLUDING MATERIAL

Custodians:

Army – CR
 Navy – AS
 Air Force – 11
 DLA – CC

Preparing activity:

DLA – CC

(Project 5935-4371)

Review activities:

Army – AR, MI
 Navy – EC, MC, OS
 Air Force – 19, 99
 DLA – IS