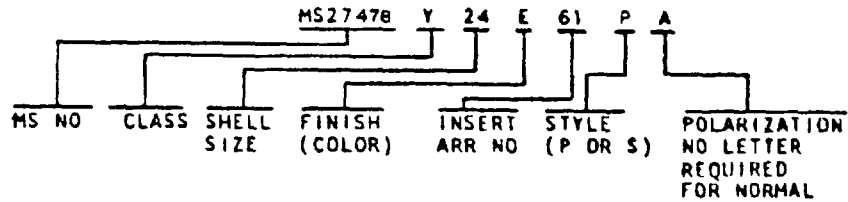
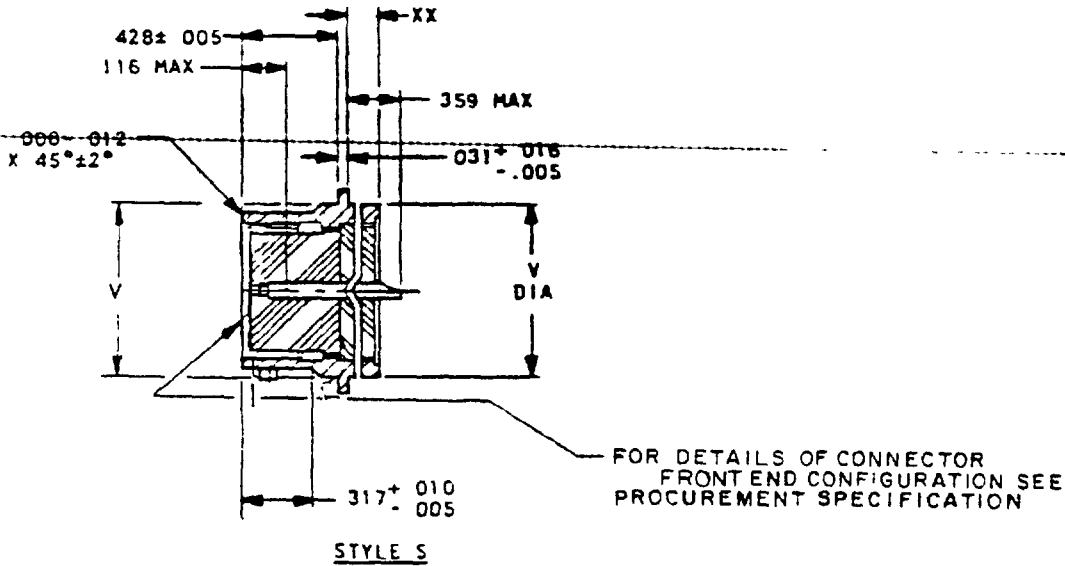
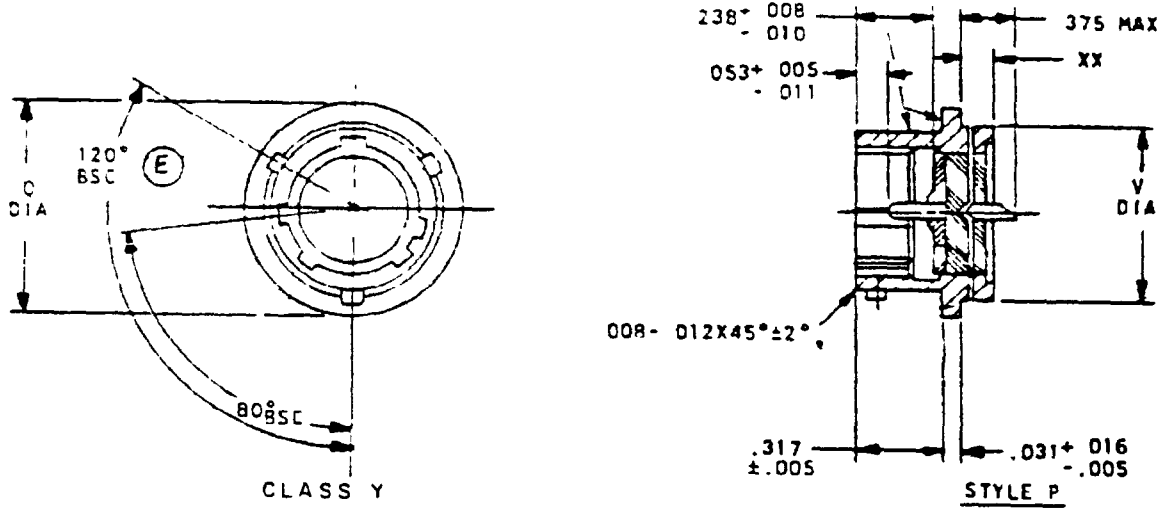


FED SUP CLASS  
5935

(E) MARKING  
(EITHER LOCATION)



EXAMPLE OF PART NUMBER

(E) FOR CHANGES SEE SHEETS 1 & 2

P A AF-35	International Interest	TITLE CONNECTOR, RECEPTACLE, ELECTRICAL SOLDER MOUNTING, SOLDER TYPE, HERMETIC SEAL, SERIES II	MILITARY STANDARD
Other Cust ARMY-EL NAVY-AS		SUPERSEDES MS27478 (USAF,	MS 27478
Procurement Specification MIL-C-56399			SHEET 1 OF 2

DD FORM 672  
1 SEP 63

(Coordinated with) OBSOLETE EDITIONS OF THIS FORM ARE OBSOLETE

5935-2005 9

Army - AF, ME  
Navy - EL, MC, OS  
Air Force - 11, 15, 17, 80  
DOD - FS

Review with activities

The military standard is to be approved for use by all DoD contractors and Agencies of the Department of Defense. It is not to be used for procurement of new engineering work or for applications and for repetitive use without approval from this command.

APPROVED 8 SEP 66 REVISED (D) 13 AUG 74 (E) 2 JAN 1976

FED SUP CLASS  
5935

SHELL SIZE	Q	V	XX MAX
	- 011 - 010 DIA	- 001 - 003 DIA	
8	687	562	125
10	797	672	
12	906	781	
14	1 031	906	
16	1 156	1 031	
18	1 281	1 156	
20	1 375	1 250	156
22	1 500	1 375	
24	1 625	1 500	

INCHES		MM		INCHES		MM		INCHES		MM	
001	.03	.016	.41	.359	9.12	.906	23.01				
003	.08	.031	.79	.375	9.53	1.031	26.19				
005	.13	.053	1.35	.428	10.87	1.156	29.36				
007	.18	.116	2.95	.562	14.27	1.250	31.75				
008	.20	.125	3.18	.672	17.07	1.281	32.54				
010	.25	.156	3.96	.687	17.45	1.375	34.93				
011	.28	.238	6.05	.781	19.84	1.500	38.10				
012	.30	.317	8.05	.797	20.24	1.625	41.28				

NOTES

- 1 Dimensions are in inches
- 2 Metric equivalents (to the nearest .01 mm) are given for general information only and are based upon 1 inch = 25.4 mm
- (E) 3 For main keyway and keyway positions, see MIL-C-28099
- 4 For design feature purposes this standard takes precedence over documents referenced herein
- 5 Referenced documents shall be of the issue in effect on date of invitation for bid

APPROVED 8 SEP 66 REVISED (D) 13 AUG 74 (E) FOR CHANGES SEE SHEETS 1 & 2

PA AF-85	International Interest	TITLE CONNECTOR, RECEPTACLE ELECTRICAL SOLDER MOUNTING SOLDER TYPE HERMETIC SEAL SERIES II.	MILITARY STANDARD
Other Cust ARMY - EL NAVY - AS			MS 27478
Procurement Specification MIL-C-38099		SUPERSEDES	SHEET 2 OF 2

Approved for use by all Departments and Agencies of the Department of Defense  
Approved for use by all Departments and Agencies of the Department of Defense  
Approved for use by all Departments and Agencies of the Department of Defense  
Approved for use by all Departments and Agencies of the Department of Defense

Approved for use by all Departments and Agencies of the Department of Defense

Approved for use by all Departments and Agencies of the Department of Defense

Approved for use by all Departments and Agencies of the Department of Defense

Approved for use by all Departments and Agencies of the Department of Defense

Approved for use by all Departments and Agencies of the Department of Defense