

INCH-POUND

MS27476F

12 July 2002

SUPERSEDING

MS27476E

2 January 1976

DETAIL SPECIFICATION SHEET

CONNECTOR, RECEPTACLE, ELECTRICAL, BOX MOUNTING,
SOLDER TYPE, HERMETIC SEAL, SERIES II

This specification is approved for use by all Departments
and Agencies of the Department of Defense.

The requirements for acquiring the product described herein
shall consist of this specification and MIL-DTL-38999.

Inactive for new design

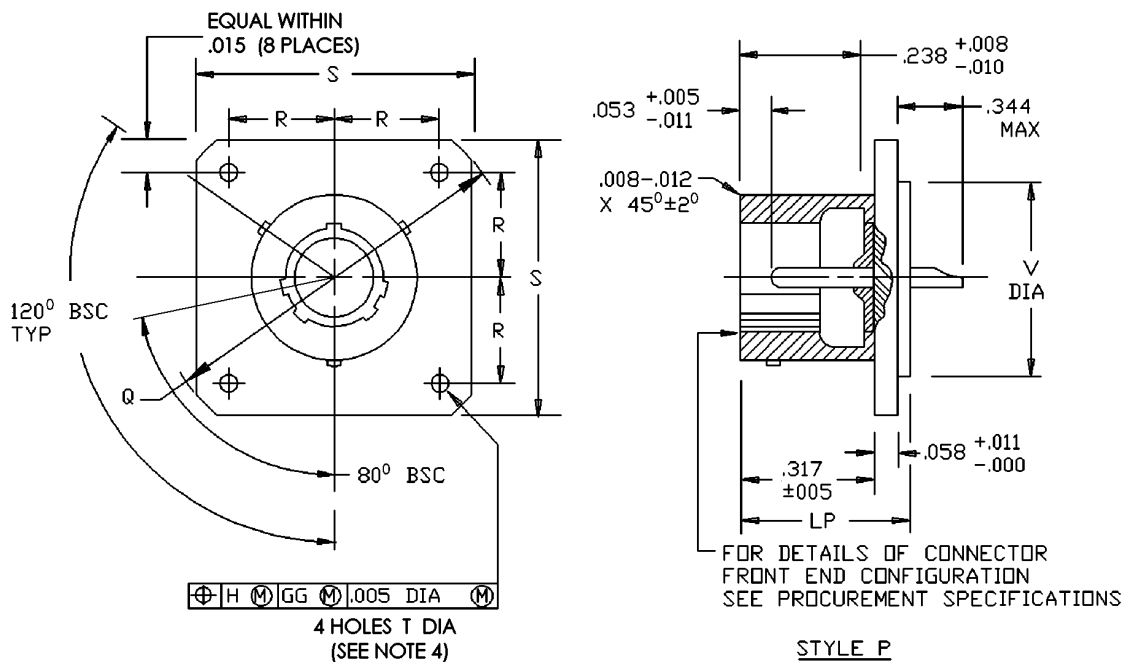
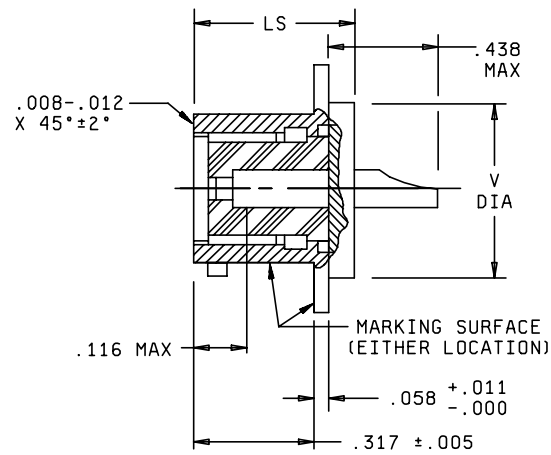


FIGURE 1. Receptacle, class Y.

MS27476F



STYLE S

Shell Size	LP max	LS max	Q max dia	R BSC	S max	T +.010 -.005	V dia +.001 -.005
8	.453	.562	1.078	.297	.828	.120	.562
10			1.266	.3595	.954		.672
12			1.391	.406	1.047		.781
14			1.516	.453	1.141		.906
16			1.641	.4845	1.234		1.031
18			1.766	.531	1.328		1.156
20			1.891	.578	1.453		1.250
22			2.016	.625	1.578	1.375	
24	.484	.594	2.204	.6875	1.703	.147	1.500

FIGURE 1. Receptacle, class Y – Continued.

MS27476F

Inches	mm	Inches	mm	Inches	mm	Inches	mm
.005	0.13	.317	8.05	.754	19.15	1.328	33.73
.007	0.18	.344	8.74	.781	19.84	1.355	34.42
.008	0.20	.3595	9.13	.828	21.03	1.375	34.93
.010	0.25	.403	10.24	.879	22.33	1.391	35.33
.011	0.28	.406	10.31	.906	23.01	1.453	36.91
.012	0.30	.438	11.13	.954	24.23	1.500	38.10
.015	0.38	.453	11.51	.980	24.89	1.516	38.51
.028	0.71	.484	12.29	1.031	26.19	1.578	40.08
.053	1.34	.4845	12.31	1.047	26.59	1.641	41.68
.058	1.47	.515	13.08	1.078	27.38	1.703	43.26
.078	1.98	.531	13.49	1.105	28.07	1.766	44.86
.116	2.95	.562	14.27	1.141	28.98	1.891	48.03
.120	3.05	.578	14.68	1.156	29.36	2.016	51.21
.139	3.53	.594	15.09	1.230	31.24	2.204	55.98
.147	3.73	.625	15.88	1.234	31.34		
.223	5.66	.629	15.98	1.250	31.75		
.238	6.05	.672	17.07	1.266	32.16		
.297	1.54	.6875	17.46				

NOTES:

1. Dimensions are in inches.
2. Metric equivalents are given for general information only.
3. For main keyway and keyway positions, see MIL-DTL-38999.
4. The gauge features for GG shall be .004 (0.10 mm) smaller than MMC size at basic location.

FIGURE 1. Receptacle, class Y – Continued.

MS27476F

REQUIREMENTS:

Dimensions and configuration: See figure 1. Interface dimensions shall conform to MIL-DTL-38999. This receptacle mates with MS27473, MS27480, MS27484 and MS27500.

Part or Identifying Number (PIN) example:



CONCLUDING MATERIAL

Custodians:

Army – CR
Navy – AS
Air Force – 11
DLA – CC

Preparing activity:

DLA – CC

(Project 5935-4369)

Review activities:

Army – MI
Navy – EC, MC, OS
Air Force – 19, 99