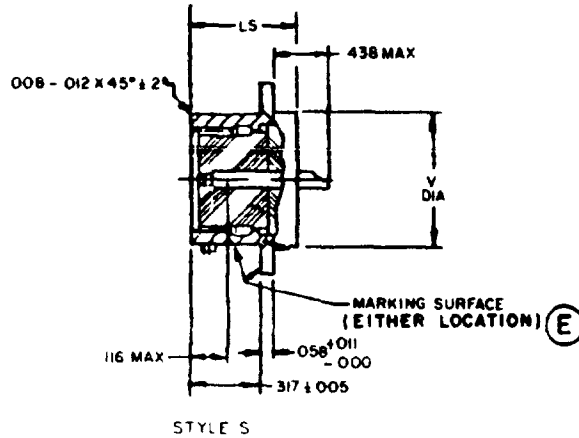
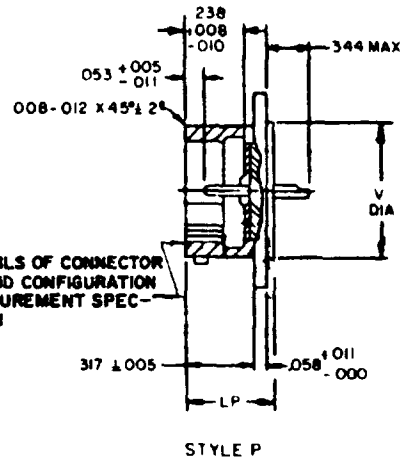
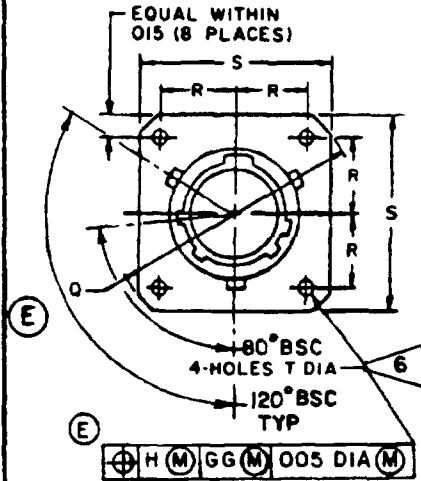


User activities  
Army - All VU  
Navy - EC NC OS  
Air Force - 11 15 17 80  
DSA - ES

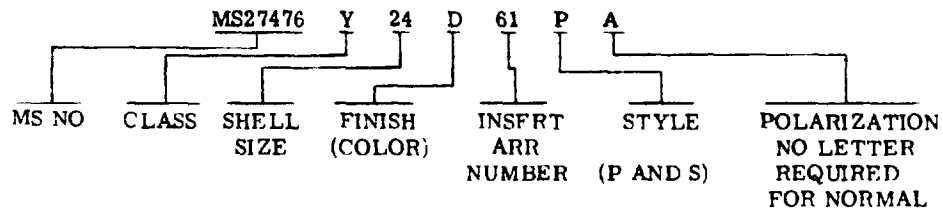
Reviewer activities

This military standard is approved for use by all Departments and Agencies of the Department of Defense. Selection for all new engineering and design applications and for repetitive use shall be made from this document.



CLASS Y

EXAMPLE OF PART NUMBER



(E) FOR CHANGES SEE SHEETS 1 & 2

PA AF-85	International interest	TITLE CONNECTOR, RECEPTACLE, ELECTRICAL BOX MOUNTING, SOLDER TYPE, HERMETIC SEAL, SERIES II.	MILITARY STANDARD
Other Cust ARMY-EL NAVY-AS			MS27476
Procurement Specification MIL-C-38999	SUPERSEDES	MS27476 (USAF)	SHEET 1 OF 2

APPROVED 8 SEP 66 REVISED 13 AUG 74 (E) 2 JAN 1976

FED SUP CLASS  
5935

SHELL SIZE	LP MAX	LS MAX	Q MAX DIA	R LSC	S MAX	T + .010 - .005	V + .001 - .005 DIA
8	453	.562	1 078	297	.828	120	562
10			1 266	3595	954		672
12			1 391	406	1 047		781
14			1 516	453	1 141		.906
16			1.641	4845	1 234		1 031
18			1 766	531	1 328		1 156
20			1 891	578	1 453		1 250
22			2 016	625	1 578		1 375
24	484	594	2 204	6875	1 703	147	1 500

INCHES	MM	INCHES	MM	INCHES	MM	INCHES	MM
.005	13	.297	7 54	.672	17 07	1 250	31 75
.007	18	.317	8 05	.6875	17 46	1 266	32 16
.008	.20	.344	8 74	.754	19 15	1 328	33 73
.010	25	.3595	9 13	.781	19.84	1 355	34 42
.011	28	.403	10 24	.828	21 03	1 375	34 93
.012	30	.406	10 31	.879	22 33	1 391	35 33
.015	38	.438	11 13	.906	23 01	1 453	36 91
.028	71	.453	11 51	.954	24 23	1 500	38 10
.053	1 34	.484	12 29	.980	24 89	1 516	38 51
.058	1 47	.4845	12 31	1 031	26 19	1 578	40 08
.078	1 98	.515	13 08	1 047	26 59	1 641	41 68
.116	2 95	.531	13 49	1 078	27 38	1 703	43 26
.120	3 05	.562	14 27	1 105	28 07	1 766	44 86
.139	3 53	.578	14 68	1 141	28 98	1 891	48 03
.147	3 73	.594	15 09	1 156	29 36	2 016	51 21
.223	5 66	.625	15 88	1 230	31 24	2 204	55 98
.238	6 05	.629	15 98	1 234	31 34		

NOTES

- 1 Dimensions are in inches.
- 2 Metric equivalents (to the nearest .01 mm) are given for general information only and are based upon 1 inch = 25.4 mm.
- ③ 3 For main keyway and keyway positions, see MIL-C-38999.
- 4 For design feature purposes this standard takes precedence over documents referenced herein
- 5 Referenced documents shall be of the issue in effect on date of invitation for bid
- 6 The gage feature for GG shall be .010 ( .25 mm) smaller than the MMC size at basic location

This military standard is approved for use by all Departments and Agencies of the Department of Defense. Selection for all new engineering and design applications and for repetitive use shall be made from this document.

User activities: Army MI MU Navy - EC MC OS Air Force - 11, 15, 17 80 DSA - ES

Reviewer activities:

APPROVED 8 SEP 66 REVISED ① 13 AUG 74 ② FOR CHANGES SEE SHEETS 1 & 2

PA AF-85	International Interest	TITLE CONNECTOR, RECEPTACLE, ELECTRICAL BOX MOUNTING, SOLDER TYPE, HERMETIC SEAL, SERIES II.	MILITARY STANDARD
Other Cust ARMY-EL NAVY-AS			MS27476
Procurement Specification MIL-C-38999		SUPERSEDES	SHEET 2 OF 2