

INCH-POUND

MS27475F

12 July 2002

SUPERSEDING

MS27475E

2 January 1976

DETAIL SPECIFICATION SHEET

CONNECTORS, RECEPTACLE, ELECTRICAL, WALL MOUNTING
FLANGE, SOLDER TYPE, HERMETIC SEAL, SERIES II

This specification is approved for use by all Departments
and Agencies of the Department of Defense.

The requirements for acquiring the product described herein
shall consist of this specification and MIL-DTL-38999.

Inactive for new design

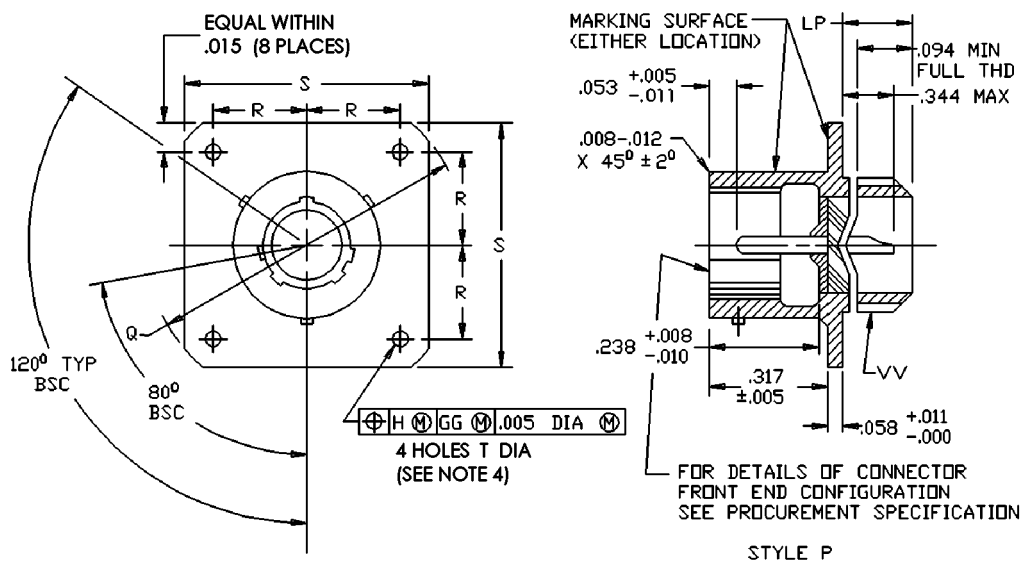
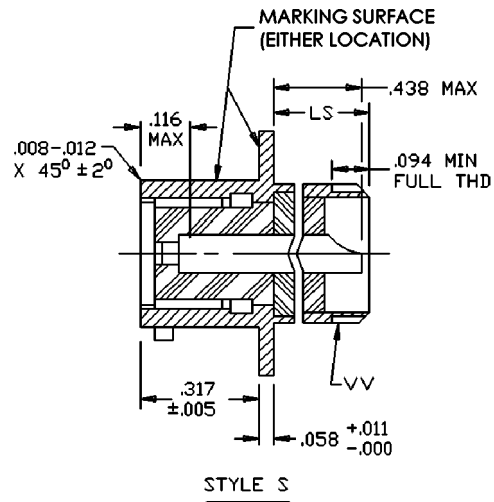


FIGURE 1. Receptacle, class Y.

MS27475F



Shell size	LP max	LS max	Q max dia	R BSC	S max	T +.010 -.005	V V Thread Class 2A UNEF
8	.250	.375	1.078	.297	.828	.120	.5625 - 24
10			1.256	.3595	.954		.6875 - 24
12			1.391	.406	1.047		.8125 - 20
14			1.516	.453	1.141		.9375 - 20
16			1.641	.4845	1.234		1.0625 - 18
18			1.766	.531	1.328		1.1875 - 18
20			1.891	.578	1.453		1.3125 - 18
22	.375	.406	2.016	.625	1.578	.147	1.4375 - 18
24			2.204	.6875	1.703		1.5625 - 18

FIGURE 1. Receptacle, class Y - Continued.

MS27475F

Inches	mm	Inches	mm	Inches	mm	Inches	mm
.005	.13	.317	8.05	.754	19.15	1.312	33.32
.007	.18	.344	8.74	.812	20.62	1.328	33.73
.008	.20	.3595	9.13	.828	21.03	1.355	34.42
.010	.25	.375	9.53	.879	22.33	1.391	35.33
.011	.28	.405	10.24	.938	23.83	1.438	36.53
.012	.30	.406	10.31	.954	24.23	1.453	36.91
.015	.38	.438	11.13	.980	24.89	1.516	38.51
.028	.71	.453	11.51	1.047	26.59	1.562	39.67
.058	1.47	.4845	12.31	1.062	26.97	1.578	40.08
.094	2.39	.515	13.08	1.078	27.38	1.641	41.68
.116	2.95	.531	13.49	1.105	28.07	1.703	43.26
.120	3.05	.562	14.27	1.141	28.98	1.766	44.86
.139	3.53	.578	14.68	1.188	30.18	1.891	48.03
.147	3.73	.625	15.88	1.230	31.24	2.016	51.21
.223	5.66	.629	15.98	1.234	31.34	2.204	55.98
.250	6.35	.6875	17.46	1.266	32.16		
.297	1.54	.688	17.48				

NOTES:

1. Dimensions are in inches.
2. Metric equivalents are given for general information only.
3. For main keyway and keyway positions, see MIL-DTL-38999.
4. The gauge features for GG shall be .010 inch (0.25 mm) smaller than the MMC size at basic location.

FIGURE 1. Receptacle, class Y – Continued.

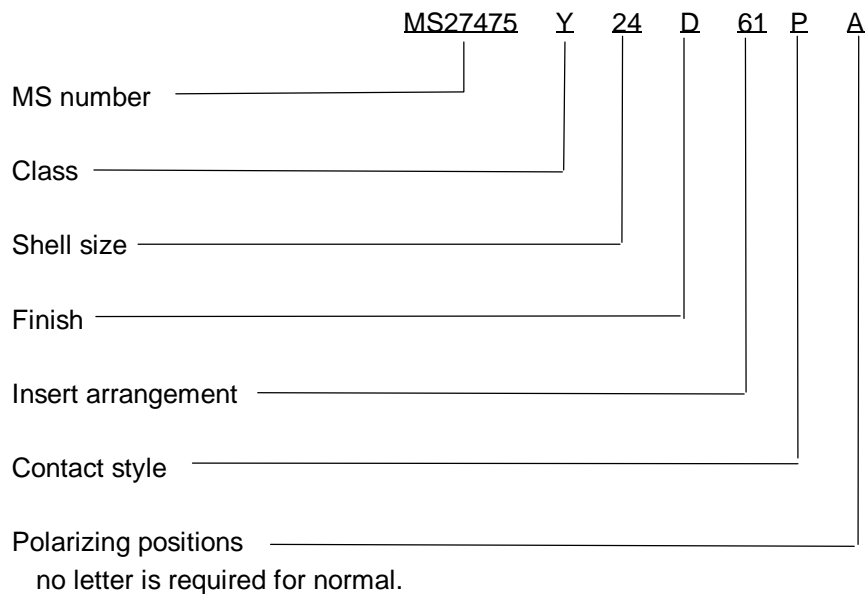
MS27475F

REQUIREMENTS:

Dimensions and configuration: See figure 1. Interface dimensions shall conform to MIL-DTL-38999.
This receptacle mates with MS27473, MS27480, MS27484 and MS27500.

Insert arrangements: See MIL-STD-1560.

Part or Identifying Number (PIN) example:



CONCLUDING MATERIAL

Custodians:

Army - CR
Navy - AS
Air Force - 11
DLA - CC

Preparing activity:

DLA - CC

(Project 5935-4368)

Review activities:

Army - MI
Navy - EC, MC, OS
Air Force - 19, 80
DLA - IS