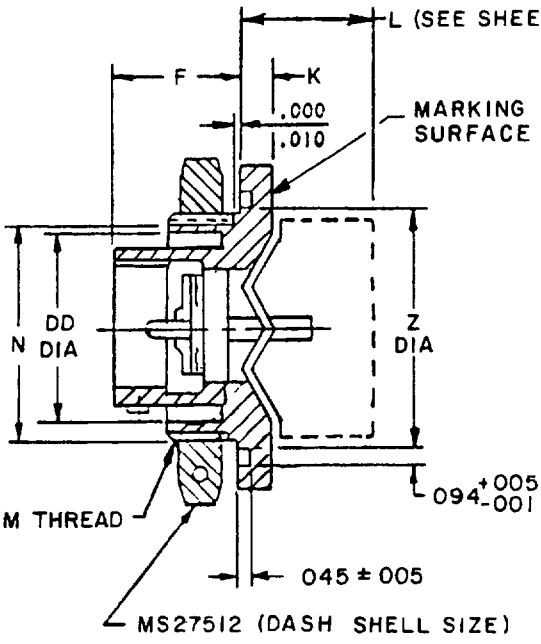
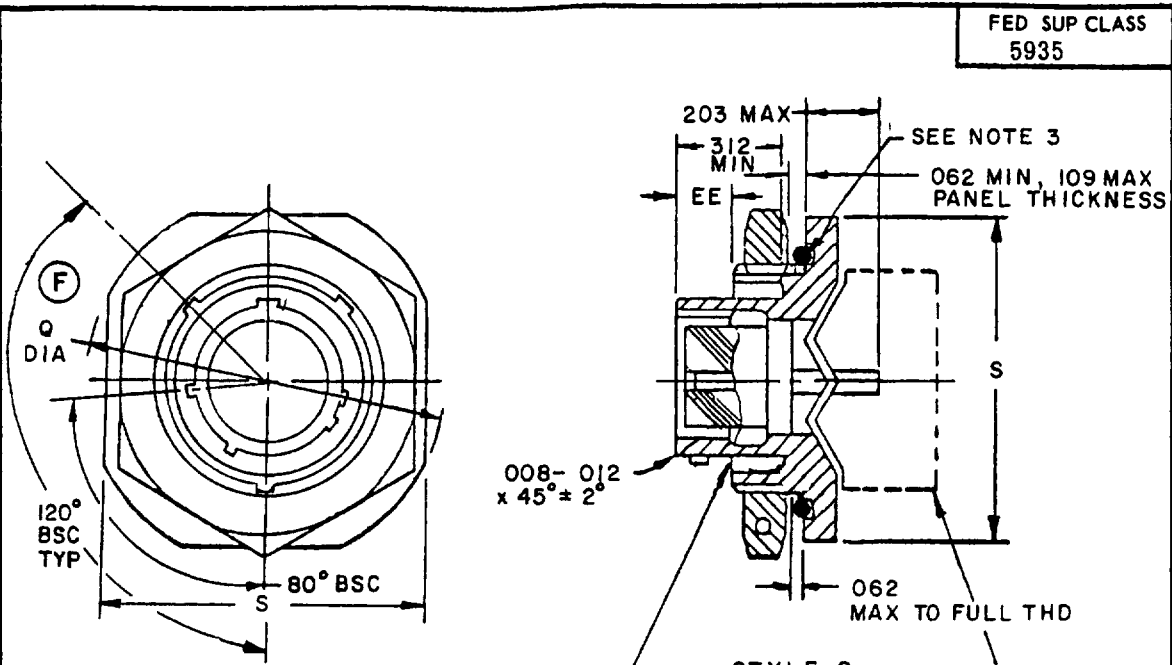
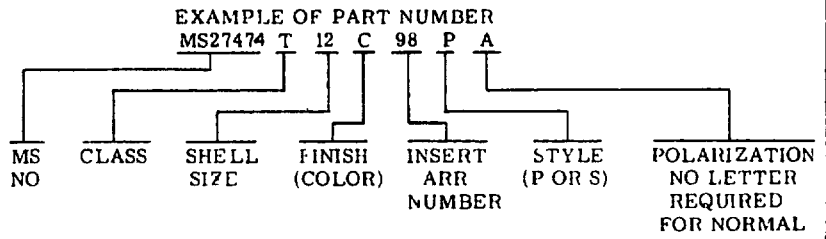


FED SUP CLASS
5935



FOR DETAILS OF CONNECTOR FRONT AND REAR END CONFIGURATION SEE PROCUREMENT SPECIFICATION

CLASS E AND T & P^{1/2}



(F) FOR CHANGES SEE SHEETS 1 & 2

PA AF-85	International Interest	TITLE CONNECTOR, RECEPTACLE, ELECTRICAL, JAM NUT MOUNTING, CRIMP TYPE, BAYONET COUPLING, SERIES II	MILITARY STANDARD
Other Cust ARMY-EL NAVY-AS			MS27474
Procurement Specification MIL-C-38999	SUPERSEDES:	MS27474 (USAF)	SHEET 1 OF 2

This military standard is approved for use by all Departments and Agencies of the Department of Defense. Selection for all new engineering and design applications and for repetitive use shall be made from this document.

Reviewer activities
 Army - MI, MU
 Navy - EC, MC, OS
 Air Force - 11, 15, 17, 80
 DSA - ES

APPROVED 8 SEP 66 REVISED (E) 13 AUG 74 (F) 2 JAN 1976

Army - MI MU
Navy - EC, MC, OS
Air Force - 11, 15, 17, 80
DSA - ES

Reviewer activities

This military standard is approved for use by all Departments and Agencies of the Department of Defense. Selection for all new engineering and design applications and for repetitive use shall be made from this document

1/ Class E inactive for new design										FED SUP CLASS 5935
ⓕ 2/ Class P inactive for new design for Air Force.										ⓕ
SHELL SIZE	F ± 005	K + 011 - 010	M THREAD (PLATED) CLASS 2A	N + 001 - 006 FLAT	Q ± 016 DIA	S ± 016	Z + 006 - 005 DIA	DD +010 -000 DIA	EE + 005 - 000	RECOMMENDED PACKING ("O" RING) 7
8	438	094	875-20 UNEF	817	1 375	1 250	965	678	140	MS9021-022
10			1.000-20 UNEF	941	1 500	1 375	1 090	780		-024
12			1 125-18 UNEF	1 065	1 625	1 500	1 215	963		-026
14			1 250-18 UNEF	1 190	1 750	1 625	1 340	1 088		-028
16			1 375-18 UNEF	1 320	1 938	1 781	1 477	1 222		-029
18			1 500-18 UNEF	1 440	2 016	1 890	1 602	1 333		-030
20	464		1 625-18 UNEF	1 565	2 141	2 016	1 727	1 458	166	-031
22			1 750-18 UNS	1 690	2 265	2 140	1 852	1 583		-032
24			1 875-16 UN	1 815	2 390	2 265	1 977	1 708		-034

NUT MS27512 DASH NO	SHELL SIZE	LE MAX LENGTH	LT MAX LENGTH	LP MAX LENGTH	INCHES		MM		INCHES		MM	
-8	8	516	344	.578	001	03	464	11 79	1 458	37 03		
-10	10				005	13	484	12 29	1 477	37 52		
-12	12				006	15	516	13 11	1 500	38 10		
-14	14				007	18	547	13 89	1 565	39 75		
-16	16				008	20	578	14 68	1 583	40 21		
-18	18				010	25	678	17 22	1 602	40 69		
-20	20	484	312	.547	011	28	780	19 81	1 625	41 28		
-22	22				012	30	817	20 75	1 690	42 93		
-24	24				016	41	875	22 23	1 708	43 38		
					045	1 14	941	23 90	1 727	43 87		
					062	1 57	963	24 46	1 750	44 45		
					094	2 39	965	24 51	1 781	45 24		
					109	2 77	1 000	25 40	1 815	46 10		
					139	3 53	1 065	27 05	1 852	47 04		
					140	3 56	1 008	27 64	1 875	47 63		
					166	4 22	1 090	27 69	1 890	48 00		
					203	5 16	1 125	28 58	1 977	50 22		
					223	5 66	1 190	30 23	2 016	51 21		
		312	7 92	1 215	30 86	2 140	54 36					
		344	8 74	1 222	31 04	2 265	57 53					
		375	9 53	1 250	31 75	2 390	60 71					
		438	11 13	1 320	33 53							
				1 333	33 86							
				1 340	34 04							
				1 375	34 95							
				1 440	36 58							

NOTES

- Dimensions are in inches
- Metric equivalents (to the nearest .01 mm) are given for general information only and are based upon 1 inch = 25.4 mm
- Jam nut mounting receptacles shall be provided with an "O" ring
- Sides of groove may have 5° max taper
- For main keyway and keyway positions, see MIL-C-38999.
- Diameters M, Q and Z shall be concentric within .015 T I R
- Recommended packing is for dimensions only, material is optional
- For design feature purposes this standard takes precedence over documents referenced herein
- Referenced documents shall be of the issue in effect on date of invitation for bid

P.A AF-85	International Interest	TITLE CONNECTOR, RECEPTACLE, ELECTRICAL, JAM NUT MOUNTING, CRIMP TYPE, BAYONET COUPLING, SERIES II	MILITARY STANDARD
Other Cust ARMY-EL NAVY-AS			MS27474
Procurement Specification MIL-C-38999	SUPERSEDES:		SHEET 2 OF 2

APPROVED 8 SEP 66 REVISED 13 AUG 74 FOR CHANGES SEE SHEETS 1 & 2