

INCH-POUND

MS27472H
 12 July 2002
 SUPERSEDING
 MS27472G
 27 June 1997

DETAIL SPECIFICATION SHEET

CONNECTORS, RECEPTACLE, ELECTRICAL, WALL MOUNTING
 FLANGE, CRIMP TYPE, BAYONET COUPLING, SERIES II

This specification is approved for use by all Departments
 and Agencies of the Department of Defense.

The requirements for acquiring the product described herein
 shall consist of this specification and MIL-DTL-38999.

Inactive for new design.

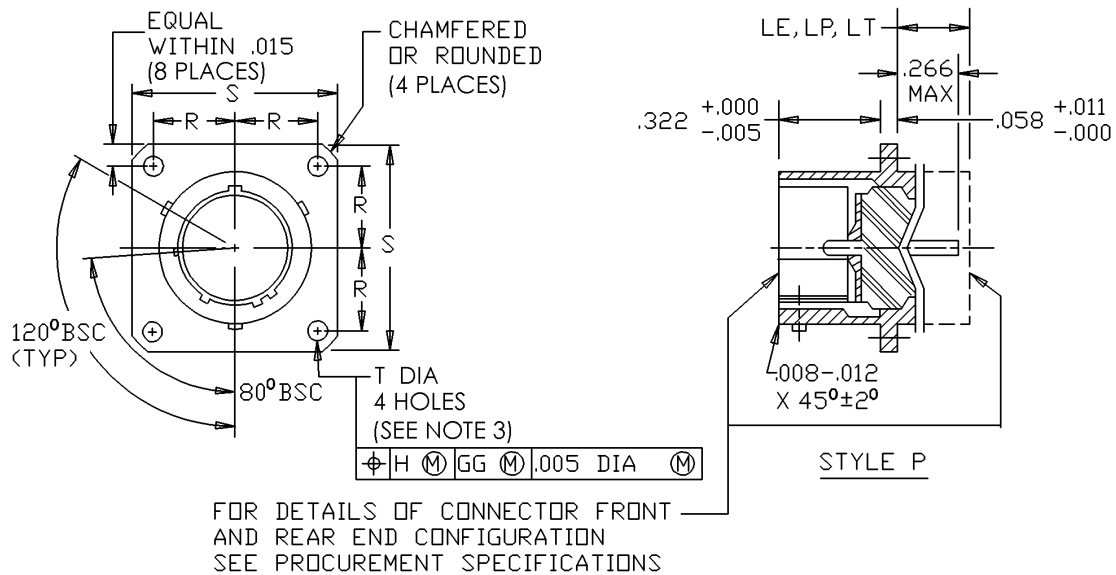
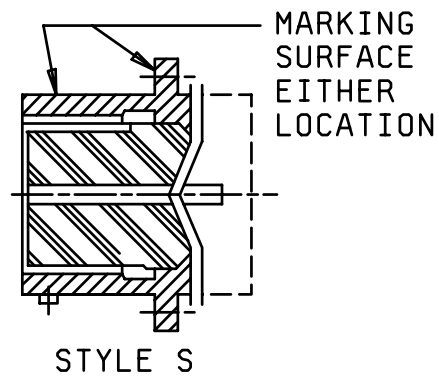


FIGURE 1. Receptacle, classes E, P and T.

MS27472H



Shell size	LE max length	LP max length	LT max length	R BSC	S max	T +.010 -.005
8	.562	.641	.391	.297	.828	.120
10				.3595	.954	
12				.406	1.047	
14				.453	1.141	
16				.4845	1.234	
18				.531	1.328	
20				.578	1.453	
22				.625	1.578	
24	.703	.469	.6875	1.703	.147	

FIGURE 1. Receptacle, classes E, P and T - Continued.

MS27472H

Inches	mm	Inches	mm	Inches	mm	Inches	mm
.005	.13	.266	6.70	.625	15.88	1.391	35.33
.007	.18	.207	7.54	.641	16.28	1.453	36.91
.008	.20	.322	8.18	.6875	17.46	1.516	38.51
.010	.25	.3595	9.13	.703	17.86	1.578	40.08
.011	.28	.301	9.93	.828	21.03	1.041	41.08
.012	.30	.400	10.31	.954	24.23	1.703	43.26
.015	.38	.453	11.51	1.047	26.59	1.786	44.86
.058	1.47	.469	11.91	1.078	27.38	1.891	48.03
.120	3.05	.4845	12.31	1.141	28.98	2.016	51.21
.139	3.53	.531	13.40	1.234	31.34	2.204	55.98
.147	3.73	.562	14.27	1.266	32.10		
.223	5.66	.578	14.68	1.328	33.73		

NOTES:

1. Dimensions are in inches.
2. Metric equivalents are given for general information only.
3. The gauge features for GG shall be .010 inch (0.25 mm) smaller than the MMC size at basic location.
4. For main keyway and keyway positions. See MIL-DTL-38999.

FIGURE 1. Receptacle, classes E, P and T - Continued.

MS27472H

REQUIREMENTS:

Dimensions and configuration: See figure 1.
 Interface dimensions shall conform to MIL-DTL-38999.
 This receptacles mates with MS27473, MS27480, MS27484 and MS27500.

Insert arrangements: See MIL-STD-1560.

Part or Identifying Number (PIN) example:



CONCLUDING MATERIAL

Custodians:
 Army - CR
 Navy - AS
 Air Force - 11
 DLA - CC

Preparing activity:
 DLA - CC
 (Project 5935-4365)

Review activities:
 Army - AR, MI
 Navy - EC, MC, OS
 Air Force - 19, 99
 DLA - IS