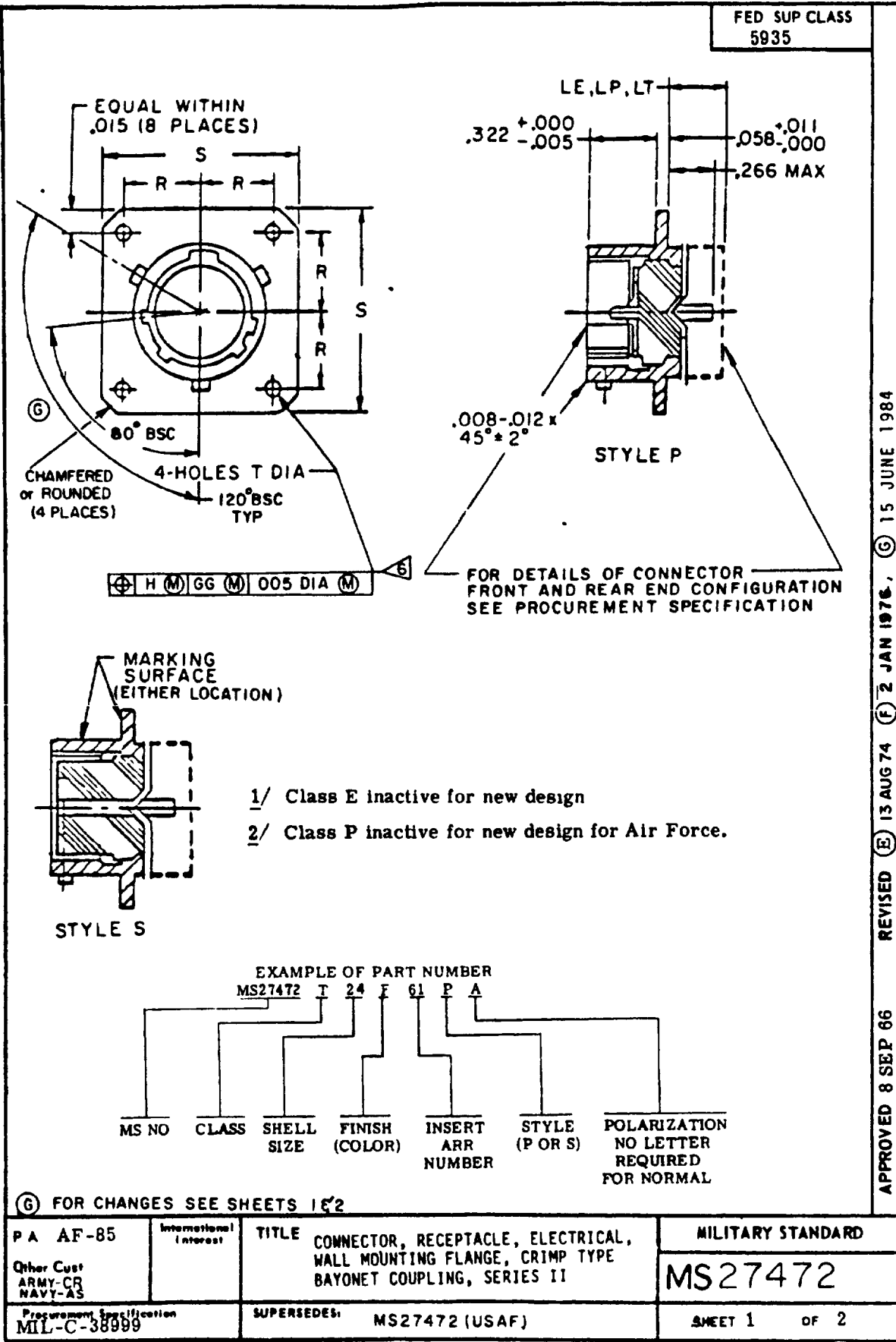


Reviewer activities: Army - MI, AR
 Navy - EC, MC, OS
 Air Force - 11, 15, 17, 99
 DLA - ES
 User activities: Army - MI, AR
 Navy - EC, MC, OS
 Air Force - 11, 15, 17, 99
 DLA - ES

This military standard is approved for use by all Departments and Agencies of the Department of Defense. Solicitation for all new engineering and design applications and for repetitive use shall be made from this document.



APPROVED 8 SEP 66 REVISED (E) 13 AUG 74 (F) 2 JAN 1976, (G) 15 JUNE 1984

This military standard is approved for use by all Departments and Agencies of the Department of Defense. Selection for all new engineering and design applications and for repetitive use shall be made from this document.

Reviewer activities: Army - MI, AR Navy - EC, MC, OS Air Force - 11, 15, 17, 99 DLA - ES

User activities: Army - Navy - Air Force -

FED SUP CLASS
5935

Class E, T and P^{1/2}

ⓐ

SHELL SIZE	LE MAX LENGTH	LP MAX LENGTH	LT MAX LENGTH		
8	.582	641	391		
10					
12					
14					
16					
18					
20					
22					
24				703	469

SHELL SIZE	R BSC	S MAX	T + .010 - .005	
8	.297	.828	120	
10	.3595	.954		
12	.406	1.047		
14	.453	1.141		
16	.4845	1.234		
18	.531	1.328		
20	.578	1.453		
22	.625	1.578		
24	.6875	1.703		147

INCHES	MM	INCHES	MM	INCHES	MM	INCHES	MM
.005	13	.266	6.76	.625	15.88	1.391	35.33
.007	18	.297	7.54	.641	16.28	1.453	36.91
.008	20	.322	8.18	.6875	17.46	1.516	38.51
.010	25	.3595	9.13	.703	17.86	1.578	40.08
.011	28	.391	9.93	.728	18.49	1.641	41.68
.012	30	.406	10.31	.754	19.15	1.703	43.26
.015	38	.453	11.51	1.047	26.59	1.766	44.86
.058	1.47	.469	11.91	1.078	27.38	1.891	48.03
.120	3.05	.4845	12.31	1.141	28.98	2.016	51.21
.139	3.53	.531	13.49	1.234	31.34	2.204	55.98
.147	3.73	.562	14.27	1.260	32.16		
.223	5.66	.578	14.68	1.328	33.73		

- NOTES:**
- Dimensions are in inches.
 - Metric equivalents are given for general information only.
 - For main keyway and keyway positions, see MIL-C-38999.
 - For design feature purposes this standard takes precedence over documents referenced herein.
 - Referenced documents shall be of the issue in effect on date of invitations for bid.
 - The gage feature for GG shall be .010 (.25 mm) smaller than the MMC size at basic location.

P A. AF-85	International Interest	TITLE CONNECTOR, RECEPTACLE, ELECTRICAL, WALL MOUNTING FLANGE, CRIMP TYPE BAYONET COUPLING, SERIES II	MILITARY STANDARD MS27472
Other Cust ARMY-CR NAVY-AS		SUPERSEDES:	SHEET 2 OF 2
Procurement Specification MIL-C-38999			

DD FORM 672 (Coordinated) PREVIOUS EDITIONS OF THIS FORM ARE OBSOLETE
1 SEP 63

APPROVED 8 SEP 68 REVISED 15 JUNE 1984 ⓐ FOR CHANGES SEE SHEETS 1 & 2