

INCH-POUND

MS27471G  
 13 April 2012  
 SUPERSEDING  
 MS27471F  
 12 July 2002

## DETAIL SPECIFICATION SHEET

CONNECTORS, RECEPTACLE, ELECTRICAL, SOLDER  
 MOUNTING, SOLDER TYPE, HERMETIC SEAL, SERIES I

This specification is approved for use by all Departments  
 and Agencies of the Department of Defense.

The requirements for acquiring the product described herein  
 shall consist of this specification sheet and MIL-DTL-38999.

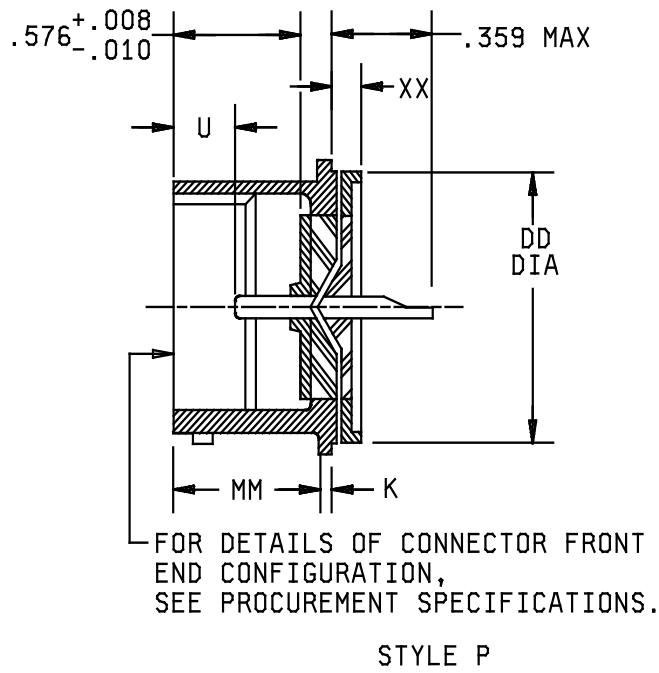


FIGURE 1. Receptacle, class Y.

MS27471G

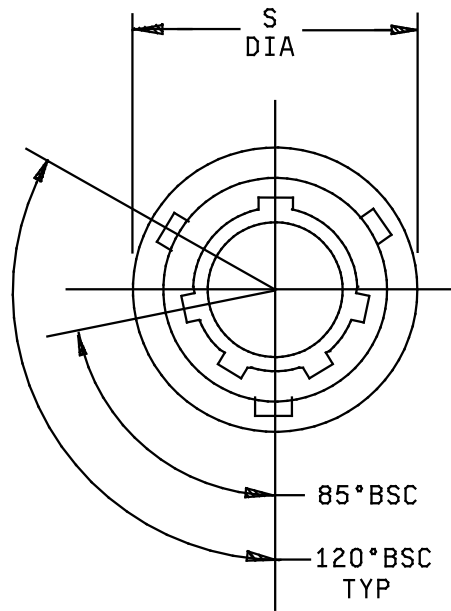
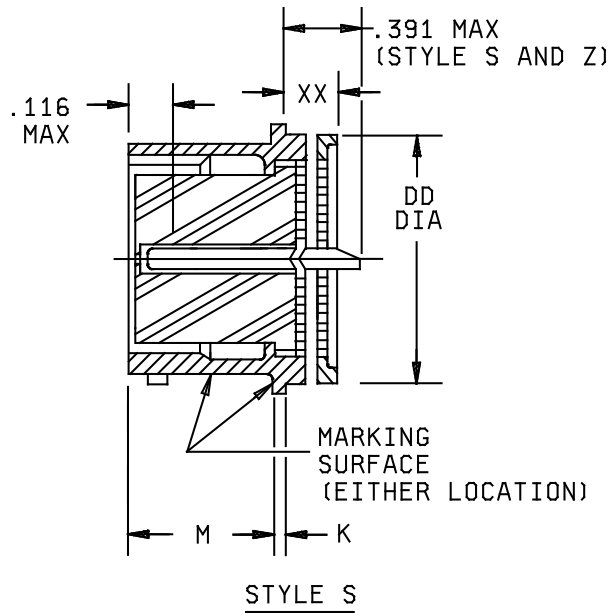


FIGURE 1. Receptacle, class Y - Continued.

## MS27471G

Shell size	K + .016 - .005	M + .031 - .000	MM + .031 - .000	DD dia + .001 - .005	S dia ± .016 O.D.	U + .005 - .011	XX max	
9	.031	.747	.659	.672	.750	.390	.187	
11				.781	.844			
13				.906	.969			
15				1.031	1.094			
17				1.156	1.218			
19				1.250	1.312			
21				1.375	1.438			
23				1.500	1.563			.218
25				1.625	1.688			

Inches	mm	Inches	mm	Inches	mm	Inches	mm
.001	0.03	.116	2.95	.672	17.07	1.156	29.36
.004	0.10	.126	3.18	.747	18.97	1.218	30.94
.005	0.13	.187	4.75	.750	19.05	1.250	31.75
.008	0.20	.218	5.54	.781	19.84	1.312	33.32
.010	0.25	.359	9.12	.844	21.44	1.375	34.93
.011	0.29	.390	9.91	.906	23.01	1.438	36.53
.016	0.41	.391	9.93	.969	24.61	1.500	38.10
.031	0.79	.576	14.63	1.031	26.19	1.563	39.70
.063	1.60	.659	16.74	1.094	27.79	1.625	41.28
						1.688	42.88

## NOTES:

1. Dimensions are in inches.
2. Metric equivalents are given for information only.
3. For main keyway and keyway positions, see MIL-DTL-38999.
4. Diameters DD and S shall be concentric with .015 inches (0.381 mm) TIR.

FIGURE 1. Receptacle, class Y - Continued.

## MS27471G

## REQUIREMENTS:

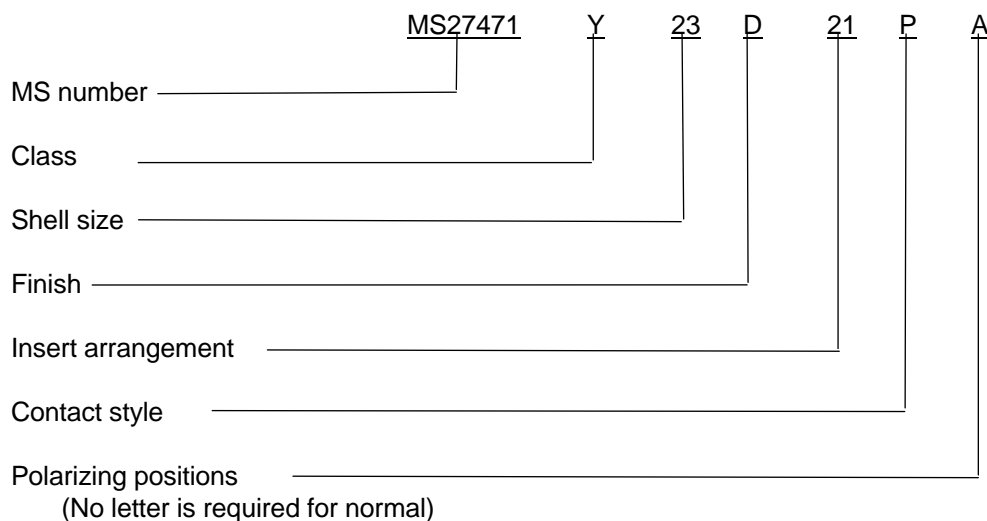
Dimensions and configuration: See figure 1.

Interface dimensions shall conform to MIL-DTL-38999.

Mating connectors: MS27467, MS27661 and MS27653.

Insert arrangements: See MIL-STD-1560.

Part or Identifying Number (PIN) example:



Changes from previous issue. Marginal notations are not used in this revision to identify changes with respect to the previous issue, due to the extent of the changes.

Referenced documents. In addition to MIL-DTL-38999, this document references the following:

MIL-STD-1560  
MS27467  
MS27653  
MS27661

## CONCLUDING MATERIAL

## Custodians:

Army - CR  
Navy - AS  
Air Force - 85  
DLA - CC

## Preparing activity:

DLA - CC

(Project: 5935-2012-025)

## Review activities:

Army - AR, MI  
Navy - EC, MC, OS  
Air Force - 19, 99

NOTE: The activities listed above were interested in this document as of the date of this document. Since organizations and responsibilities can change, you should verify the currency of the information above using the ASSIST Online database at <https://assist.daps.dla.mil>.