

INCH-POUND

MS27470G
 12 July 2002
 SUPERSEDING
 MS27470F
 2 January 1976

DETAIL SPECIFICATION SHEET

CONNECTORS, RECEPTACLE, ELECTRICAL, JAM NUT MOUNTING, SOLDER TYPE, HERMETIC SEAL, SERIES I

This specification is approved for use by all Departments and Agencies of the Department of Defense.

The requirements for acquiring the product described herein shall consist of this specification and MIL-DTL-38999.

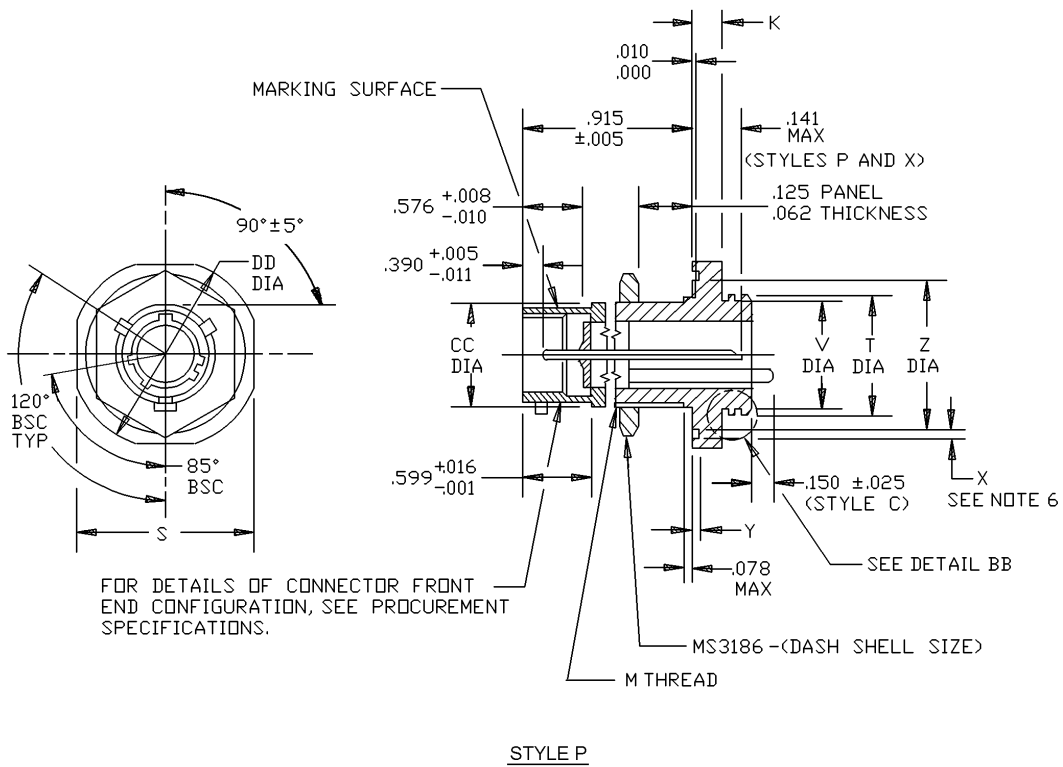
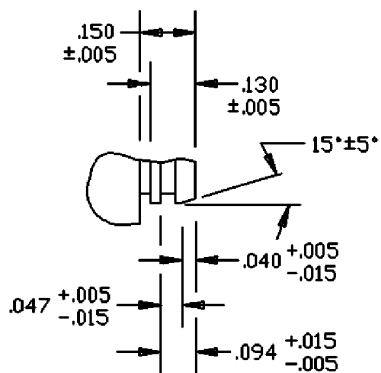
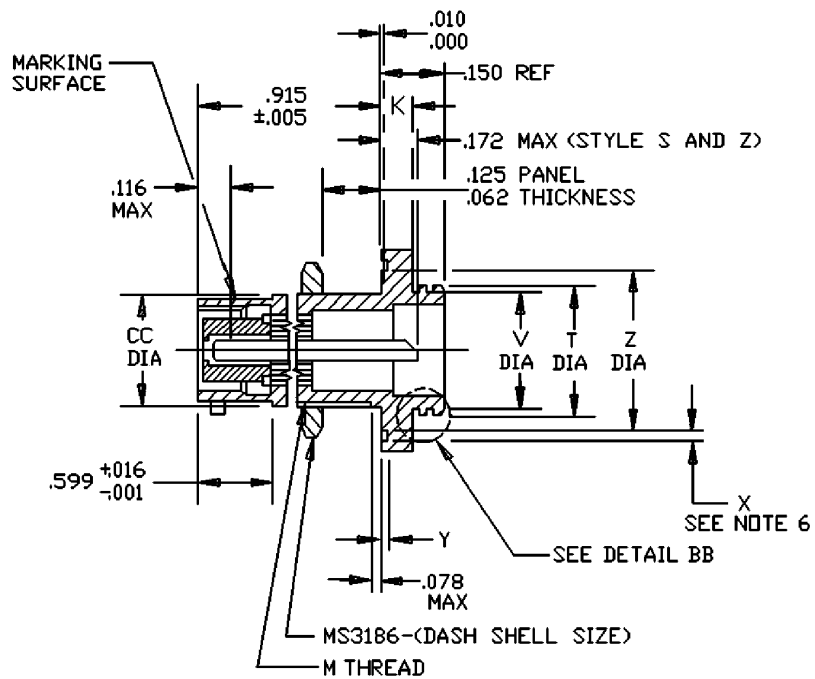


FIGURE 1. Plug, class Y.

MS27470G



DETAIL BB

STYLE S

FIGURE 1. Plug, class Y - Continued.

MS27470G

Shell size	Recommended packing ("O" Ring) AS3578- see note 7	Recommended potting mold M85049/74-
9	019	10-1
11	022	12-1
13	024	14-1
15	026	16-1
17	028	18-1
19	128	20-1
21	130	22-1
23	132	24-1
25	134	28-1

Shell size	CC dia +0.000 -0.010	DD dia ±.016	K ±.016	M THD Class 2 A UNEF (Plated)	S ±.016	T dia +0.011 -0.000	V dia ±.011	X +0.005 -0.001	Y ±.005	Z dia +0.006 -0.005
9	.655	1.188	.109	.6875-24	1.062	.642	.602	.094	.045	.777
11	.755	1.375		.8125-20	1.250	.766	.726			.965
13	.942	1.500		1.000-20	1.375	.892	.852			1.090
15	1.066	1.625		1.125-18	1.500	1.018	.978			1.215
17	1.191	1.750		1.250-18	1.625	1.142	1.102			1.340
19	1.316	1.938	.140	1.375-18	1.812	1.268	1.228	.141	.075	1.449
21	1.441	2.062		1.500-18	1.938	1.392	1.352			1.574
23	1.566	2.188		1.625-18	2.062	1.518	1.478			1.699
25	1.691	2.312		1.750-18 UNS	2.188	1.642	1.602			1.824

STYLES P and S

FIGURE 1. Plug, class Y - Continued.

MS27470G

Inches	mm	Inches	mm	Inches	mm	Inches	mm
.001	0.03	.156	3.96	.965	24.51	1.375	34.93
.003	0.08	.172	4.37	.978	24.84	1.392	35.36
.005	0.13	.390	9.91	.980	24.89	1.441	36.60
.008	0.20	.403	10.24	1.018	25.86	1.449	36.80
.010	0.25	.515	13.08	1.062	26.97	1.478	37.54
.011	0.29	.576	13.49	1.066	27.08	1.500	38.10
.015	0.38	.599	15.21	1.090	27.69	1.518	38.56
.016	0.41	.602	15.29	1.102	27.99	1.566	39.78
.020	0.51	.629	15.98	1.105	28.47	1.574	39.98
.040	1.02	.642	16.31	1.142	29.01	1.602	40.69
.045	1.14	.655	16.64	1.188	30.18	1.625	41.28
.047	1.19	.726	18.44	1.191	30.25	1.642	41.71
.062	1.57	.754	19.15	1.215	30.86	1.691	42.95
.075	1.91	.755	19.18	1.228	31.19	1.699	43.15
.078	1.98	.766	19.46	1.230	31.24	1.750	44.45
.094	2.39	.777	19.74	1.250	31.75	1.812	46.02
.116	2.95	.852	21.64	1.268	32.21	1.824	46.33
.125	3.18	.879	22.33	1.316	33.43	1.938	49.23
.130	3.30	.892	22.66	1.340	34.04	2.062	52.37
.141	3.58	.915	23.24	1.352	34.34	2.188	55.58
.150	3.81	.942	23.93	1.355	34.42	2.312	58.72

NOTES:

1. Dimensions are in inches.
2. Metric equivalents are given for general information only.
3. For main keyway and keyway positions, see MIL-DTL-38999.
4. Jam nut mounting receptacles shall be provided with an "O" ring.
5. Diameters M, DD and Z shall be concentric within .015 TIR.
6. Sides of groove may have 5° max taper.
7. Recommended packing is for dimensions only. Material is optional.

FIGURE 1. Plug, class Y - Continued.

MS27470G

REQUIREMENTS:

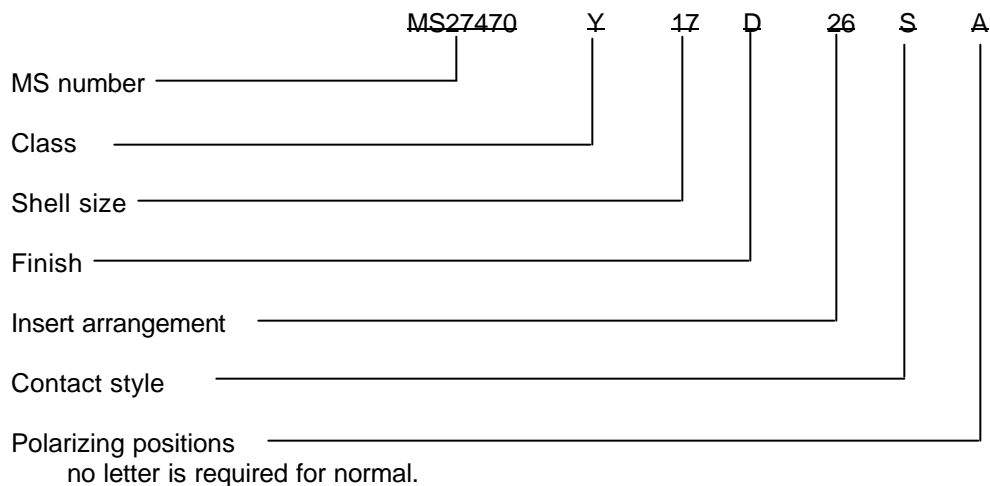
Dimensions and configuration: See figure 1.

Interface dimensions shall conform to MIL-DTL-38999.

Mating connectors: MS27467, MS27653 and MS27661.

Insert arrangements: See MIL-STD-1560.

Part or Identifying Number (PIN) example:



CONCLUDING MATERIAL

Custodians:

Army - CR
Navy - AS
Air Force - 11
DLA - CC

Preparing activity:

DLA - CC

(Project: 5935-4395)

Review activities:

Army - AR, MI
Navy - EC, MC, OS
Air Force - 19, 99
DLA - IS