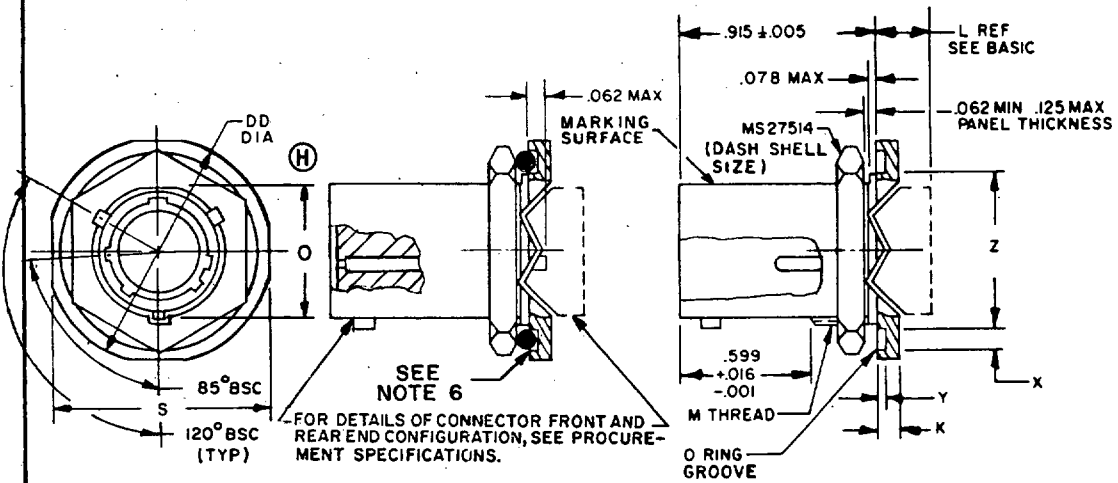


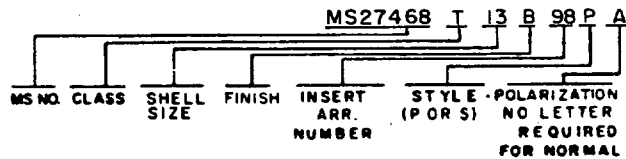
This military standard is approved for use by all Departments and Agencies of the Department of Defense. Selection for all new engineering and design applications and for repetitive use shall be made from this document.

Reviewer activities: Army - MI, MU  
 Navy - EC, MC, OS  
 Air Force - 11, 15, 17, 99  
 DSA - ES

User activities: Army -  
 Navy -  
 Air Force -



Class E 1/, T and P 2/  
1/ class E inactive for new design.  
2/ Class P inactive for new design for Air Force.



EXAMPLE OF PART NUMBER

(H) FOR CHANGES SEE PAGES 1&2

P.A. AF-85	International interest	TITLE CONNECTOR, RECEPTACLE, ELECTRICAL	MILITARY STANDARD
Other Cust ARMY-EL NAVY-AS		JAM NUT MOUNTING, CRIMP TYPE, BAYONET COUPLING, SERIES I	MS 27468 *
Procurement Specification MIL-C-38999		SUPERSEDES: MS27468 (USAF)	PAGE 1 OF 2

APPROVED 8 SEP 1966 REVISED (F) 13 AUG 74 (G) 2 JAN 1976 (H) 6 JUN 77

FED. SUP CLASS  
5935

This military standard is approved for use by all Departments and Agencies of the Department of Defense. Selection for all new engineering and design applications and for repetitive use shall be made from this document.

User activities: Army - MU  
 Navy - EC, MC, OS  
 Air Force - 11, 15, 17, 99  
 DSA - ES

Reviewer activities: Army - MI, MU  
 Navy - EC, MC, OS  
 Air Force - 11, 15, 17, 99  
 DSA - ES

SHELL SIZE	K +.011 -.010	LE	LP	LT	M THD CLASS 2A UNEF PLATED	DD DIA ±.016	S ±.016	X +.005 -.001	Y ±.005	Z DIA +.006 -.005	RECOMMENDED PACKING ("O" RING) <b>SEE NOTE 7</b>
		MAX	MAX	MAX							
		SEE BASIC									
9	↑	↑	↑	↑	.6875-24	1.188	1.062	↑	↑	.777	MS9021-019
11					.8125-20	1.375	1.250			.965	-022
13	.109		.438		1.0000-20	1.500	1.375	.094	.045	1.090	-024
15					1.1250-18	1.625	1.500			1.215	-026
17	↓	.328	↓	.328	1.2500-18	1.750	1.625	↓	↓	1.340	-028
19	↑		↑		1.3750-18	1.938	1.812	↑	↑	1.449	-128
21	.140		.469		1.5000-18	2.062	1.938	.141	.075	1.574	-130
23					1.6250-18	2.188	2.062			1.699	-132
25	↓	↓	↓	↓	1.7500-18	2.312	2.188	↓	↓	1.824	-134

SHELL SIZE	O DIA. +.000 -.010	INCHES		MM		INCHES		MM	
		.001	.03	.438	11.13	1.340	34.04		
9	.655	.005	.13	.469	11.91	1.375	34.93		
		.006	.15	.599	15.21	1.441	36.60		
11	.755	.010	.25	.655	16.64	1.449	36.80		
		.011	.28	.755	19.18	1.500	38.10		
13	.942	.015	.38	.777	19.74	1.566	39.78		
		.016	.41	.915	23.24	1.574	39.98		
15	1.066	.045	1.14	.942	23.93	1.625	41.28		
		.062	1.57	.965	24.51	1.691	42.95		
17	1.191	.075	1.90	1.062	26.97	1.699	43.15		
		.078	1.98	1.066	27.08	1.750	44.45		
19	1.316	.094	2.39	1.090	27.69	1.812	46.02		
		.109	2.77	1.188	30.18	1.824	46.33		
21	1.441	.125	3.18	1.191	30.25	1.938	49.23		
		.140	3.56	1.215	30.86	2.062	52.37		
23	1.566	.141	3.58	1.250	31.75	2.188	55.58		
		.328	8.33	1.316	33.43	2.312	58.72		

NOTES:

- Dimensions are in inches.
- Metric equivalents are given for general information only and are based upon 1.00 inch = 25.4 mm.
- For main keyway and keyway positions, see MIL-C-38999.
- Jam nut mounting receptacles shall be provided with an "O" ring.
- Diameters M, DD and Z shall be concentric within .015 T.I.R.
- Sides of groove may have 5° maximum taper.
- Recommended packing is for dimensions only. Material is optional.
- For design feature purposes, this standard takes precedence over documents referenced herein.
- Referenced documents shall be of the issue in effect on date of invitation for bid.

P.A. AF-85	International interest	TITLE CONNECTOR, RECEPTACLE, ELECTRICAL	MILITARY STANDARD
Other Cust ARMY-EL NAVY-AS		JAM NUT MOUNTING, CRIMP TYPE, BAYONET-COUPLING, SERIES I	MS27468
Procurement Specification MIL-C-38999	SUPERSEDES:	MS27468(USAF)	PAGE 2 OF 2

APPROVED 8 SEP 1966 REVISED (H) FOR CHANGES SEE PAGES 1 & 2