

INCH-POUND

MS27466K
 2 February 2012
 SUPERSEDING
 MS27466J
 12 July 2002

DETAIL SPECIFICATION SHEET

CONNECTORS, RECEPTACLE, ELECTRICAL, WALL MOUNTING
 FLANGE, CRIMP TYPE, BAYONET COUPLING, SERIES I

This specification is approved for use by all Departments
 and Agencies of the Department of Defense.

The requirements for acquiring the product described herein
 shall consist of this specification sheet and MIL-DTL-38999.

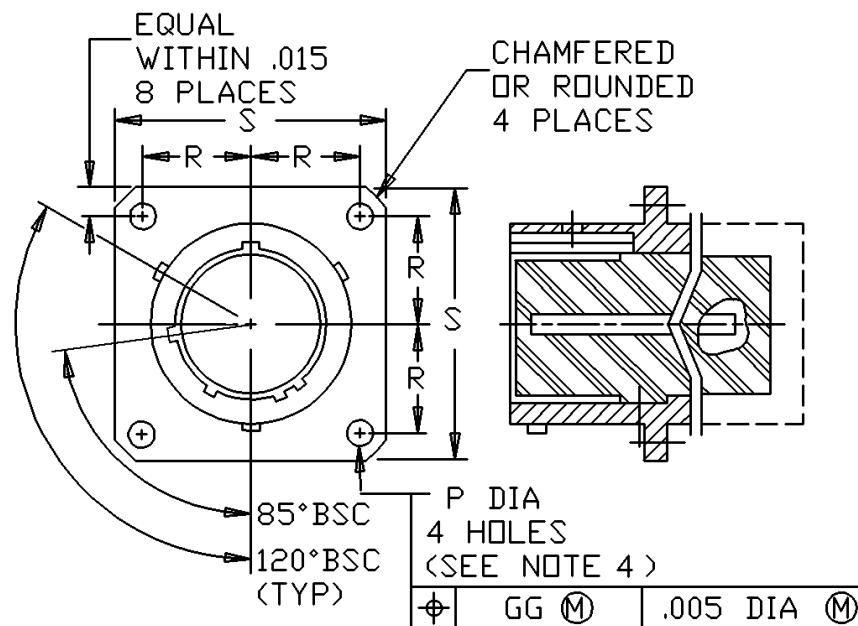
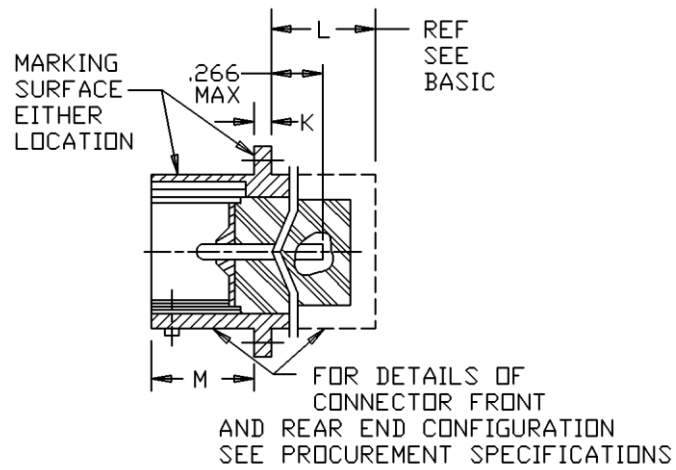


FIGURE 1. Receptacle, classes E, T and P.

MS27466K



Shell size	K +.015 -.000	L (class E) max see basic	L (class P) max see basic	L (class T) max see basic	M +.000 -.005	P dia +.010 -.005	R BSC	S ± .020
9	.085	.531	.953	.531	.632	.128	.3595	.938
11							.406	1.031
13							.453	1.125
15							.4845	1.219
17							.531	1.312
19	.115						.578	1.438
21							.625	1.562
23							.6875	1.688
25			1.156			.147	.750	1.812

FIGURE 1. Receptacle, classes E, T and P - Continued.

MS27466K

Inches	mm	Inches	mm	Inches	mm
.005	0.13	.406	10.31	.938	23.83
.007	0.18	.453	11.51	.953	24.21
.010	0.25	.4845	12.31	1.031	26.19
.015	0.38	.516	13.11	1.047	26.59
.085	2.16	.531	13.49	1.125	28.58
.115	2.29	.578	14.68	1.156	29.36
.128	3.25	.602	15.29	1.219	30.96
.147	3.73	.625	15.88	1.312	33.32
.156	3.96	.632	16.05	1.438	36.53
.266	6.76	.6875	17.46	1.562	39.67
.3595	9.13	.750	19.05	1.688	42.88
				1.812	46.02

NOTES:

1. Dimensions are in inches.
2. Metric equivalents are given for information only.
3. For main keyway and keyway positions, see MIL-DTL-38999.
4. The gauge features for GG shall be .010 (0.25 mm) smaller than the MMC size at basic location.

FIGURE 1. Receptacle, classes E, T and P - Continued.

MS27466K

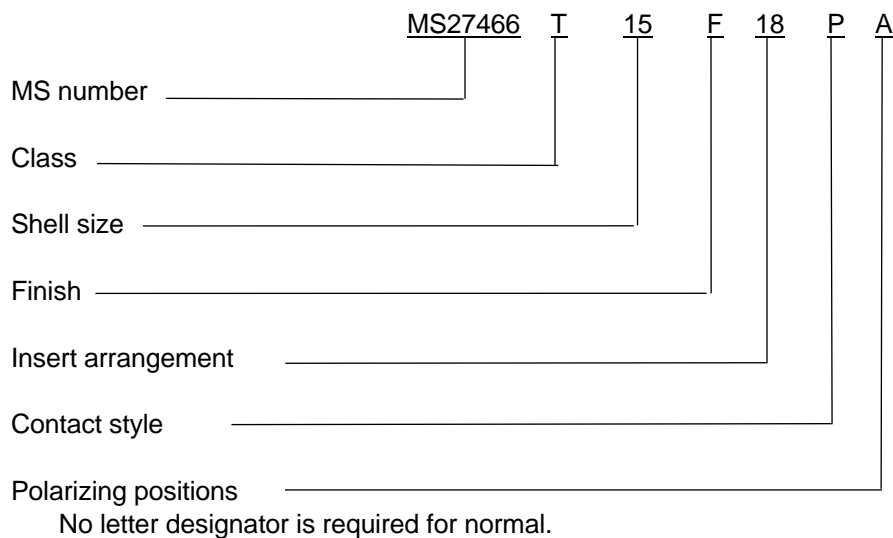
REQUIREMENTS:

Dimensions and configuration: See figure 1. Interface dimensions shall be in accordance with MIL-DTL-38999.

Mating connectors: This connector mates with MS27467, MS27661 and MS27653.

Insert arrangements: See MIL-STD-1560.

Part or Identifying Number (PIN) example:



Specification restrictions

Navy	Army	Air Force
The entire specification sheet is inactive for new design.	For ground equipment only, class E is inactive for new design.	Classes E and P are inactive for new design.

Changes from previous issue. Marginal notations are not used in this revision to identify changes with respect to the previous issue, due to the extent of the changes.

Referenced documents. In addition to MIL-DTL-38999, this document references the following:

MIL-STD-1560
 MS27467
 MS27653
 MS27661

MS27466K

CONCLUDING MATERIAL

Custodians:

Army - CR
Navy - AS
Air Force – 85
DLA - CC

Preparing activity:

DLA - CC

(Project 5935–2012-019)

Review activities:

Army - AR, MI
Navy - EC, MC, OS
Air Force - 19, 99

NOTE: The activities listed above were interested in this document as of the date of this document. Since organizations and responsibilities can change, you should verify the currency of the information above using the ASSIST Online database at <https://assist.daps.dla.mil>.