

INCH-POUND

MS27466J
 12 July 2002
 SUPERSEDING
 MS27466H
 4 May 1990

DETAIL SPECIFICATION SHEET

CONNECTORS, RECEPTACLE, ELECTRICAL, WALL MOUNTING
 FLANGE, CRIMP TYPE, BAYONET COUPLING, SERIES I

This specification is approved for use by all Departments
 and Agencies of the Department of Defense.

The requirements for acquiring the product described herein
 shall consist of this specification and MIL-DTL-38999.

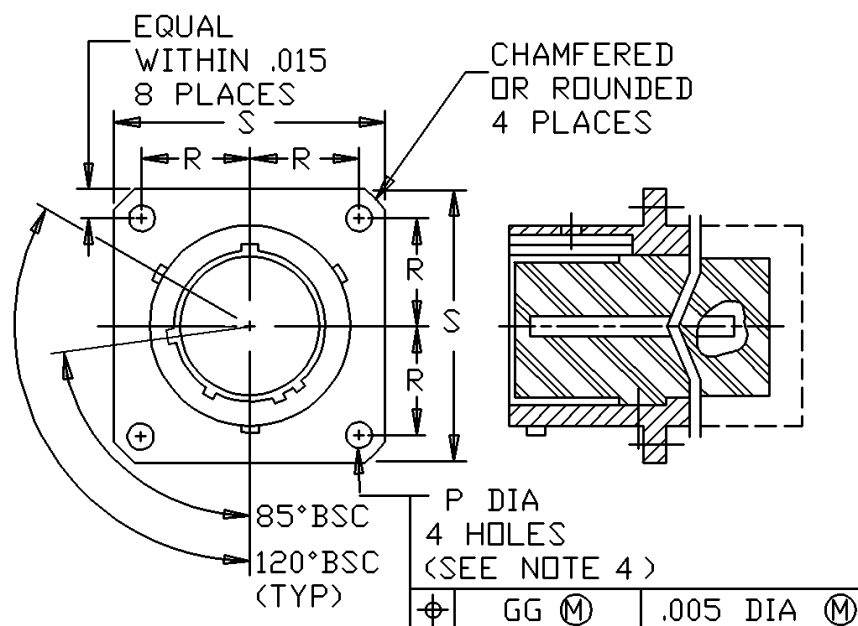
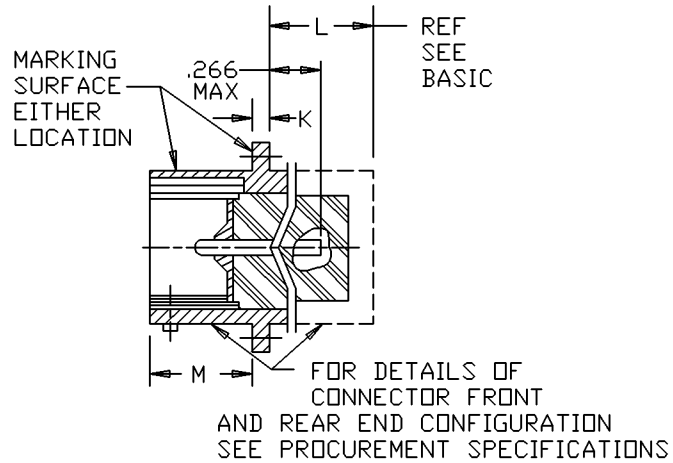


FIGURE 1. Receptacle, classes E, T and P.

MS27466J



Shell size	K +.015 -.000	LE max see basic	LP max see basic	LT max see basic	M +.000 -.005	P dia +.010 -.005	R BSC	S ± .020
9	.085	.531	.953	.531	.632	.128	.3595	.938
11							.406	1.031
13							.453	1.125
15							.4845	1.219
17							.531	1.312
19	.115						.578	1.438
21							.625	1.562
23							1.047	1.688
25			1.156		.602	.147	.6875	1.688
							.750	1.812

FIGURE 1. Receptacle, classes E, T and P - Continued.

MS27466J

Inches	mm	Inches	mm	Inches	mm
.005	0.13	.406	10.31	.938	23.83
.007	0.18	.453	11.51	.953	24.21
.010	0.25	.4845	12.31	1.031	26.19
.015	0.38	.516	13.11	1.047	26.59
.085	2.16	.531	13.49	1.125	28.58
.115	2.29	.578	14.68	1.156	29.36
.128	3.25	.602	15.29	1.219	30.96
.147	3.73	.625	15.88	1.312	33.32
.156	3.96	.632	16.05	1.438	36.53
.266	6.76	.6875	17.46	1.562	39.67
.3595	9.13	.750	19.05	1.688	42.88
				1.812	46.02

NOTES:

1. Dimensions are in inches.
2. Metric equivalents are given for general information only.
3. For main keyway and keyway positions, see MIL-DTL-38999.
4. The gauge features for GG shall be .010 (0.25 mm) smaller than the MMC size at basic location.

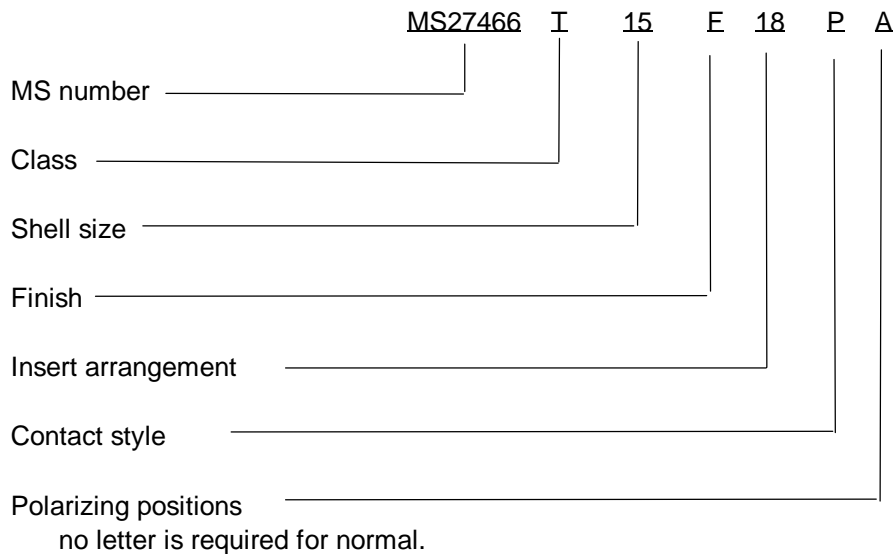
FIGURE 1. Receptacle, classes E, T and P - Continued.

MS27466J

REQUIREMENTS:

Dimensions and configuration: See figure 1.
 Interface dimensions shall conform to MIL-DTL-38999.
 Mating connectors: MS27467, MS27661 and MS27653.
 Insert arrangements: See MIL-STD-1560.

Part or Identifying Number (PIN) example:



Specification restrictions:

Navy	Army	Air Force
The entire specification sheet is inactive for new design.	For ground equipment only, class E is inactive for new design.	Classes E and P are inactive for new design.

CONCLUDING MATERIAL

Custodians:

Army - CR
 Navy - AS
 Air Force - 11
 DLA - CC

Preparing activity:

DLA - CC

(Project 5935-4391)

Review activities:

Army - AR, MI
 Navy - EC, MC, OS
 Air Force - 19, 99