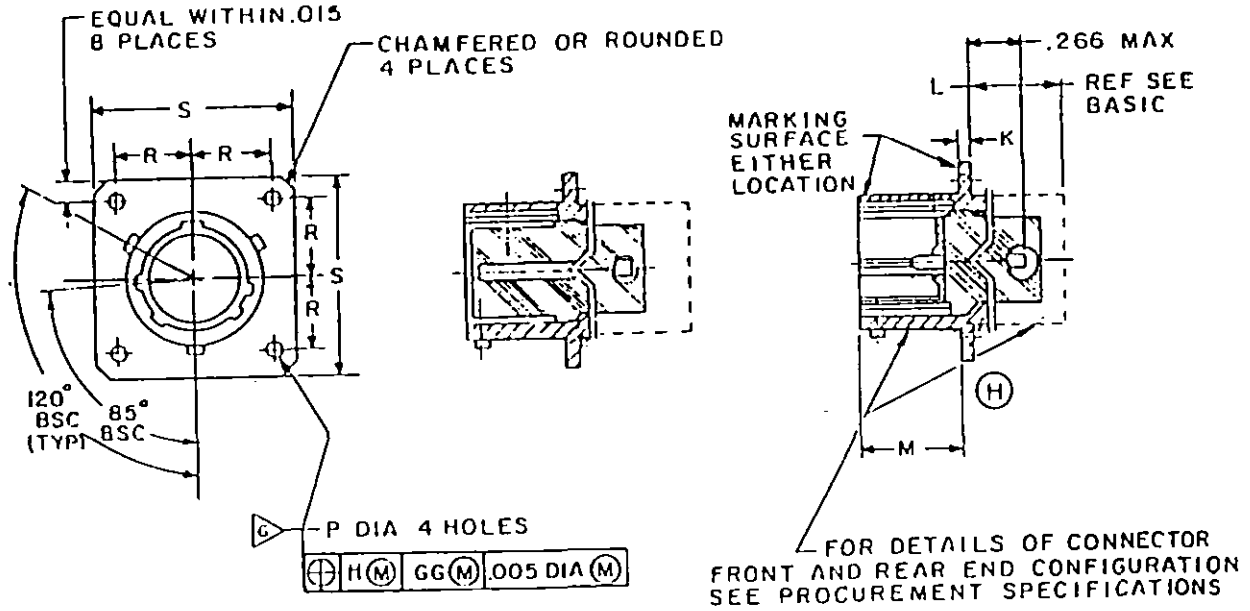


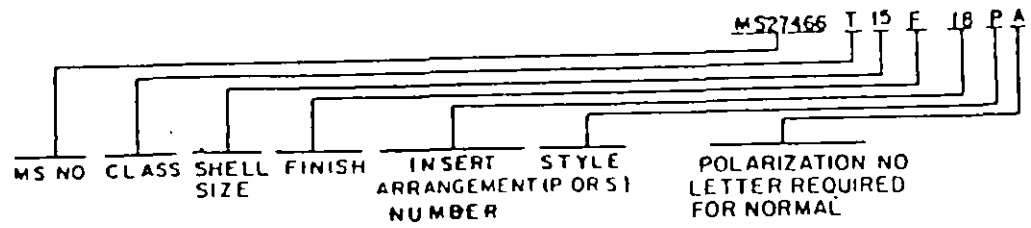
THE REQUIREMENTS FOR ACQUIRING THE PRODUCT(S) DESCRIBED HEREIN SHALL CONSIST OF THIS SPECIFICATION SHEET AND THE ISSUE OF THE FOLLOWING SPECIFICATION LISTED IN THAT ISSUE OF THE DODISS SPECIFIED IN THE SOLICITATION: MIL-C-38999



Class E<sup>1/</sup>, T and P<sup>2/</sup>

- 1/ Class E inactive for new design.
- 2/ Class P inactive for new design for Air Force.

EXAMPLE OF PART NUMBER



(H) denotes changes

PREPARING ACTIVITY: AF-85 CUSTODIANS: ARMY-CR NAVY-AS AIR FORCE-85 DLA-ES Army-AR, MI Air Force-11, 15, 80 Navy-EC, MC, OS REVIEW: USER: PROJECT NUMBER: 5935-3744-01	<b>MILITARY SPECIFICATION SHEET</b>		SPECIFICATION SHEET NUMBER <b>MS27466H</b> 4 May 90	
	TITLE CONNECTOR, RECEPTACLE, ELECTRICAL, WALL MOUNTING FLANGE, CRIMP TYPE, BAYONET COUPLING, SERIES 1.		SUPERSEDING <b>MS27466G</b> 02 Jan 76	
AMSC			fsc 5935	

This specification is approved for use by all Departments and Agencies of the Department of Defense.

THE REQUIREMENTS FOR ACQUIRING THE PRODUCT(S) DESCRIBED HEREIN SHALL CONSIST OF THIS SPECIFICATION SHEET AND THE ISSUE OF THE FOLLOWING SPECIFICATION LISTED IN THAT ISSUE OF THE DODISS SPECIFIED IN THE SOLICITATION: MIL-C-38999

SHELL SIZE	K +.015 -.000	LE MAX	LP MAX	LT MAX	M +.000 -.005	P DIA +.010 -.005	R BSC	S +.020
	SEE BASIC							
9	.085	.531	.953	.531	.632	.128	.3595	.938
11	..	..	..	..	..	..	.406	1.031
13	..	..	..	..	..	..	.453	1.125
15	..	..	..	..	..	..	.4845	1.219
17	..	..	..	..	..	..	.531	1.312
19	..	..	..	..	..	..	.578	1.438
21	.115	..	1.047	..	.602	..	.625	1.562
23	..	..	1.047	..	.602	.147	.6875	1.688
25	..	..	1.156	..	.602	.147	.750	1.812

Inches	mm	Inches	mm	Inches	mm
.005	0.13	.406	10.31	.938	23.83
.007	0.18	.453	11.51	.953	24.21
.010	0.25	.4845	12.31	1.031	26.19
.015	0.38	.516	13.11	1.047	26.59
.085	2.16	.531	13.49	1.125	28.58
.115	2.92	.578	14.68	1.156	29.36
.128	3.25	.602	15.29	1.219	30.96
.147	3.73	.625	15.88	1.312	33.32
.156	3.96	.632	16.05	1.438	36.53
.266	6.76	.6875	17.46	1.562	39.67
.3595	9.13	.750	19.05	1.688	42.88
				1.812	46.02

- NOTES:
1. Dimensions are in inches.
  2. Metric equivalents are given for general information only.
  3. For main keyway and keyway positions, see MIL-C-38999.
  4. For design feature purposes, this standard takes precedence over documents referenced herein.
  5. Reference documents shall be of the issue in effect on date of invitation for bid.
  6. The gauge features for GG shall be .010 (0.25 mm) smaller than the MMC size at basic location.

(h) denotes changes

This specification is approved for use by all Departments and Agencies of the Department of Defense.

PREPARING ACTIVITY: AF-85 CUSTODIANS: ARMY-CR NAVY-AS AIR FORCE-85 DIA-FS Army-AR, MI, Air Force-11, 15, 80 Navy-EC, MC, OS REVIEW: USER: PROJECT NUMBER: 5935-3744-01	MILITARY SPECIFICATION SHEET TITLE CONNECTOR, RECEPTACLE, ELECTRICAL, WALL MOUNTING FLANGE, CRIMP TYPE, BAYONET COUPLING, SERIES I.	SPECIFICATION SHEET NUMBER MS27466H SUPERSEDING MS27466G AMSC ISC 5935
DISTRIBUTION STATEMENT		Page 2 of 2