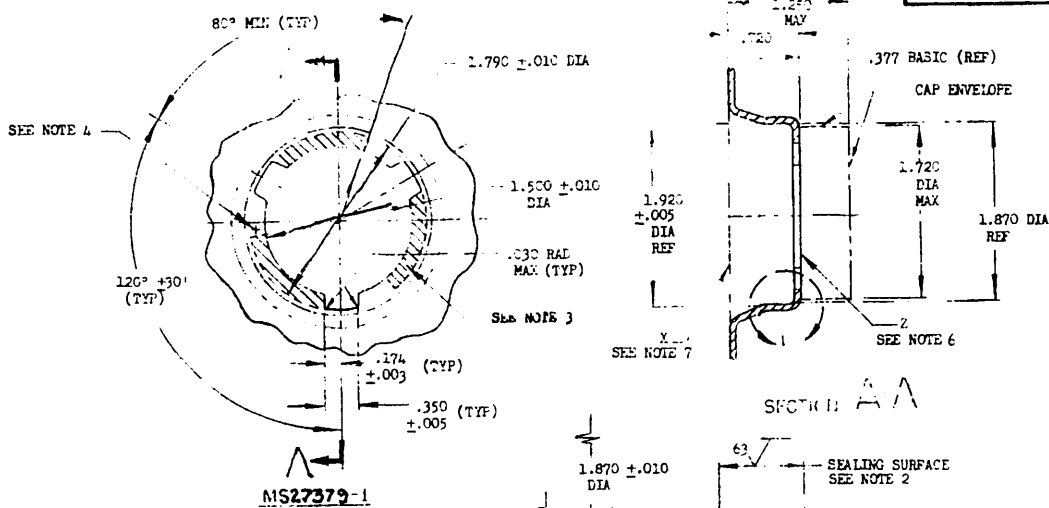
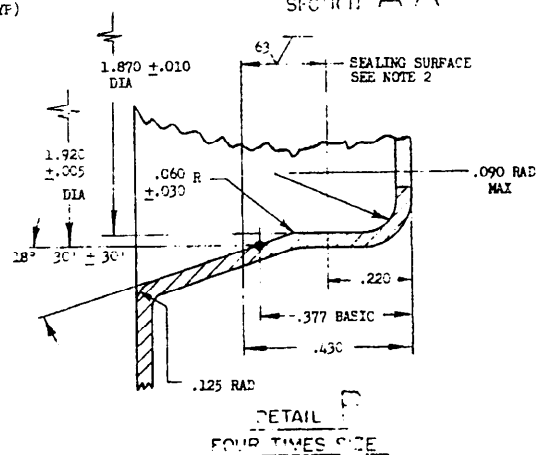


FED. SUP CLASS
1560



DESIGN NO.	CAP SIZE (INCHES)	REMARKS
MS27379-1	1- 1/2	SEE PROCUREMENT SPECIFICATION FOR INTENDED USE.
MS27379-2	2	
MS27379-3	3	
MS27379-4	3	



- MATERIAL: STEEL - CRES - MIL-S-5059 301 OR 302 ANNEALED, 303 OR 321, STOCK THICKNESS .040 MIN. FOR -1 AND -2 ADAPTERS AND .055 MIN. FOR -3 AND -4 ADAPTERS. STOCK THICKNESS LISTED HEREIN APPLIES TO STAMPED ADAPTERS. FOR APPLICATIONS REQUIRING MACHINED ADAPTERS THE THICKNESS MAY BE GREATER THAN SPECIFIED FOR STAMPED ADAPTERS PROVIDING ALL OTHER DIMENSIONAL REQUIREMENTS OF THIS SHEET ARE MET.
- SURFACE TEXTURE SHALL BE IN ACCORDANCE WITH USAS B46.1 -1962 AND SHALL BE FREE OF PITS, SCRATCHES, OR DENTS.
- THE SHADDED PORTIONS OF SURFACE "Z" SHALL BE FLAT WITHIN .005 TIR.
- A FASTENER SHALL BE PROVIDED ON -1, -2 AND -4 DESIGNS FOR ATTACHING A WELDLESS BEADED CHAIN IN ACCORDANCE WITH SPECIFICATION RR-C-271, TYPE II, CLASS 5. THE FASTENER SHALL WITHSTAND A 40-POUND FULL APPLIED IN THE 4 DIRECTIONS SHOWN IN FIGURE 3 OF MIL-C-38373. A CHAIN SHALL BE USED FOR THE PULL TEST.
- A FASTENER SHALL BE PROVIDED ON -3 DESIGN FOR ATTACHING A LANYARD MADE IN ACCORDANCE WITH MS27380. THE FASTENER SHALL WITHSTAND A 40-POUND FULL APPLIED IN THE 4 DIRECTIONS SHOWN IN FIGURE 3 OF MIL-C-38373. A LANYARD SHALL BE USED FOR THE PULL TEST.
- THE FLANGE WHICH INCLUDES SURFACE "Z" FROM INSIDE DIAMETER TO OUTSIDE DIAMETER OF THE SHADDED PORTION SHALL HAVE A THICKNESS WITHIN THE RANGE OF .090 TO .100 FOR -1 AND -2 ADAPTERS AND .090 TO .100 FOR -3 AND -4 ADAPTERS.
- THE PROCURING ACTIVITY SHALL SPECIFY THE DETAILS OF THE ADAPTER MOUNTING FLANGE.
- FOR FLUSH MOUNTED INSTALLATIONS THE TOP OF THE CAP SHALL NOT EXTEND BEYOND PLATE "X" WHEN LOCKED IN THE ADAPTER.
- BREAK ALL SHARP EDGES.
- DIMENSIONS IN INCHES. UNLESS OTHERWISE SPECIFIED, DECIMAL .015

THIS IS A DESIGN STANDARD, NOT TO BE USED AS A PART NUMBER.

(A) ENTIRE STANDARD REVISED

(A) FOR CHANGES SEE SHEETS 1,2&3

USAF - 10
Review activities: Army - 10

This military standard is approved by the Department of the Air Force and the Naval Air Systems Command and is mandatory for use by these activities. All other military activities are required to employ this standard where suitable.

P.A. USAF - 11 Other Cust NAVY - AS	TITLE ADAPTER, FLUID TANK FILLER
PROCUREMENT SPECIFICATION MIL-C-38373	SUPERSEDES:

MILITARY STANDARD
MS27379(ASG)
SHEET 1 OF 3

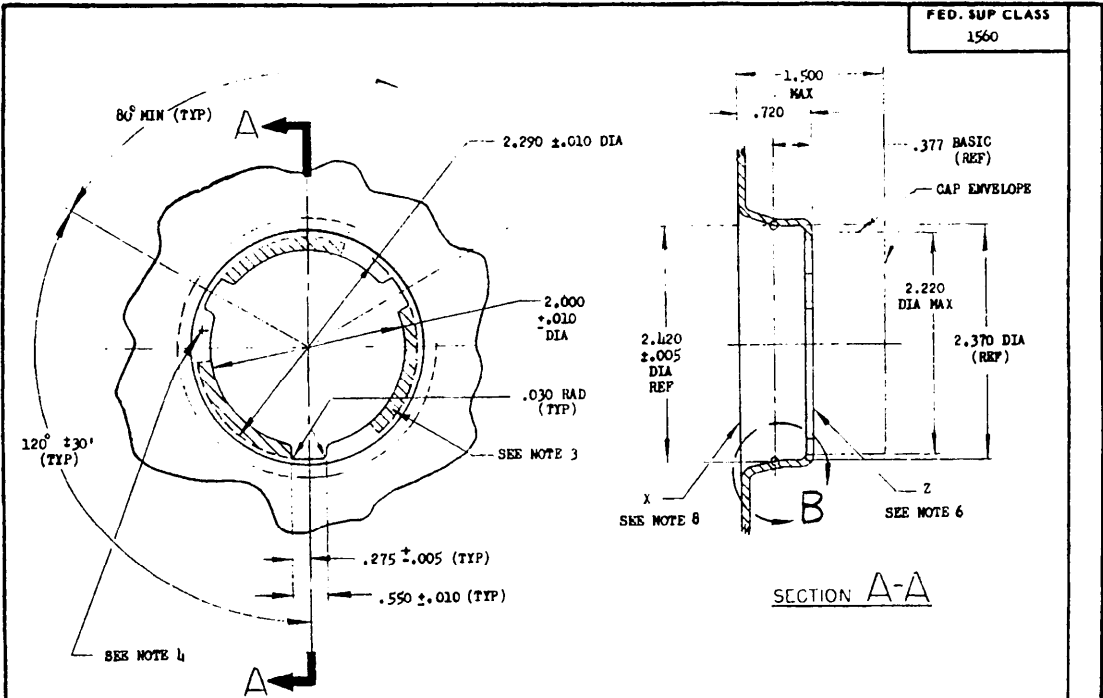
DD FORM 1 SEP 57 672-1 (Limited coordination)
ASG use only

PREVIOUS EDITIONS OF THIS FORM ARE OBSOLETE.

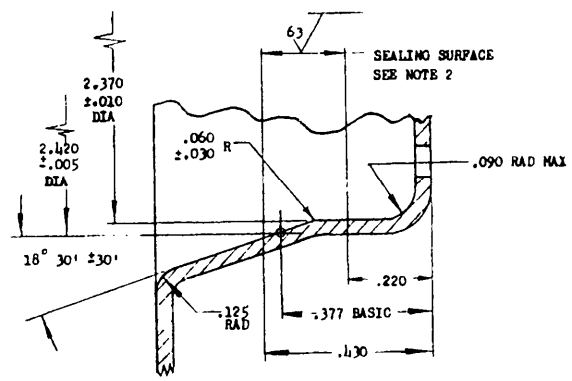
Project No. 151-5046

APPROVED 15 Dec 65
REVISED (A) 26 Feb 69

FED. SUP CLASS
1560



SECTION A-A



DETAIL B
FOUR TIMES SIZE

MS27379-2
SEE SHEET 1 FOR NOTES

User activities:

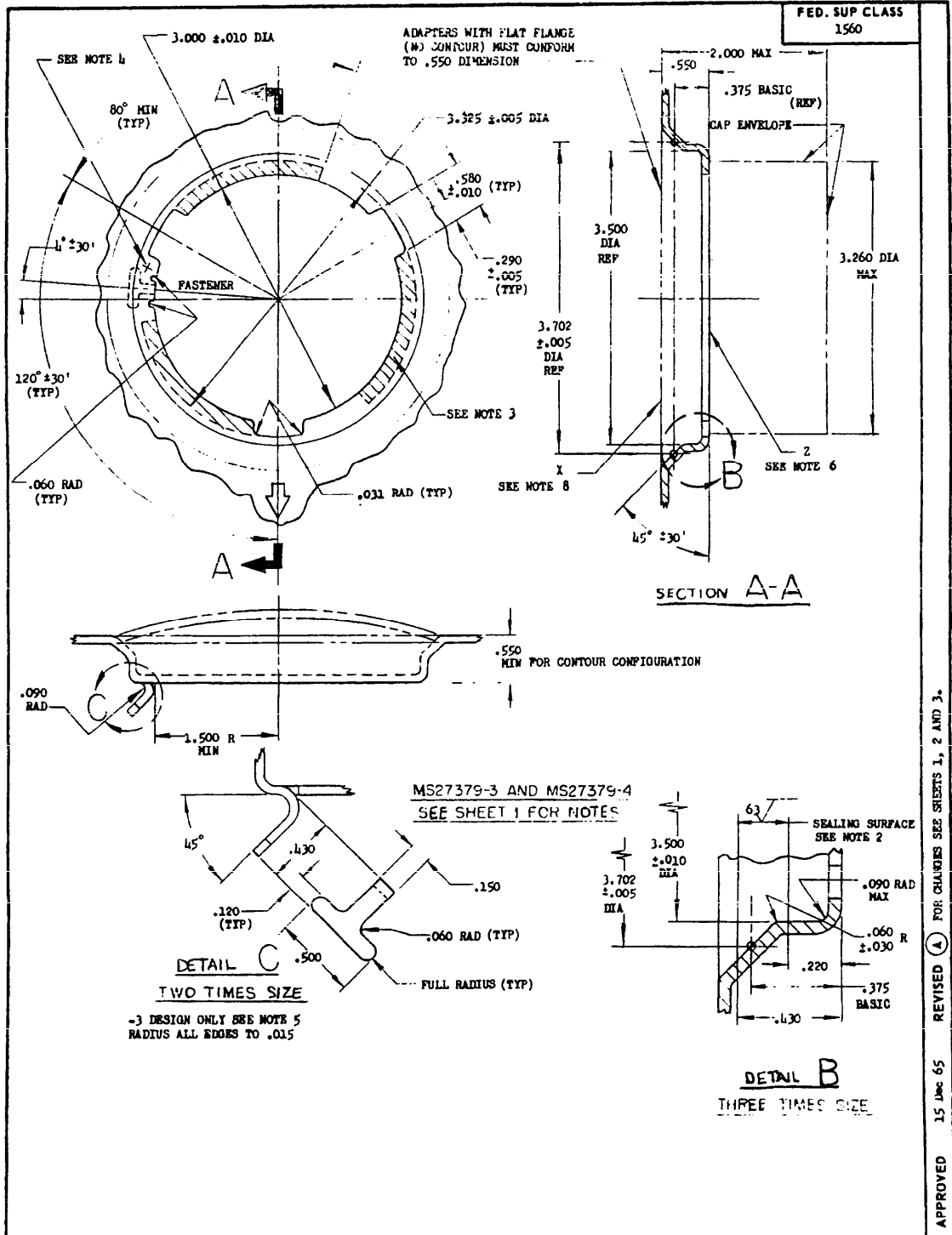
Review activities: USAF - 80
Army - AY

This military standard is approved by the Department of the Air Force and the Naval Air Systems Command and is mandatory for use by these activities. All other military activities are required to employ this standard where suitable.

APPROVED 15 Dec 65 REVISED (A) FOR CHANGES SEE SHEETS 1, 2 AND 3.

P.A. USAF-11 Other Cust Navy-AS	TITLE ADAPTER, FLUID TANK FILLER	MILITARY STANDARD MS27379(ASG)
PROCUREMENT SPECIFICATION MIL-C-38373	SUPERSEDES:	SHEET 2 OF

FED. SUP CLASS
1560



Review activities: USAF - 80
Army - AV

This military standard is approved by the Department of the Air Force and the Naval Air Systems Command and is mandatory for use by these activities. All other military activities are required to employ this standard where suitable.

APPROVED 15 Dec 65 REVISED FOR CHANGES SEE SHEETS 1, 2 AND 3.

P. A. USAP-11 Other Cust	TITLE ADAPTER, FLUID TANK FILLER	MILITARY STANDARD MS27379(ASG)
PROCUREMENT SPECIFICATION MIL-C-38373	SUPERSEDES:	SHEET 3 OF

DD FORM 672-1 (Limited coordination)
1 SEP 57
ASD use only

PREVIOUS EDITIONS OF THIS FORM ARE OBSOLETE.