

INCH-POUND

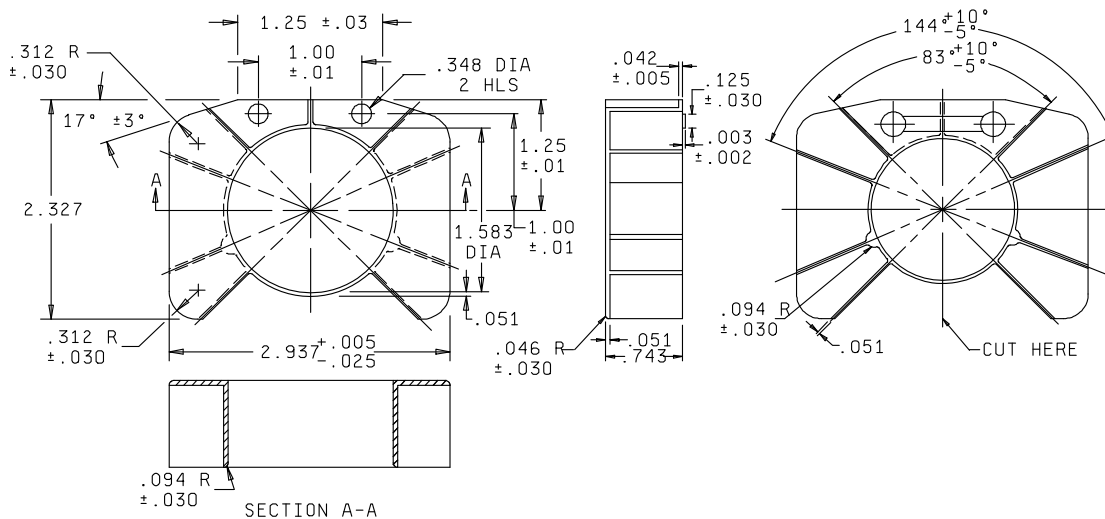
MS27243M
 8 October 2014
 SUPERSEDING
 MS27243L
 13 November 2012

DETAIL SPECIFICATION SHEET

RELAY, 10 AMP, 4PDT, SEALED, CLASS O

This specification is approved for use by all Departments and Agencies of the Department of Defense.

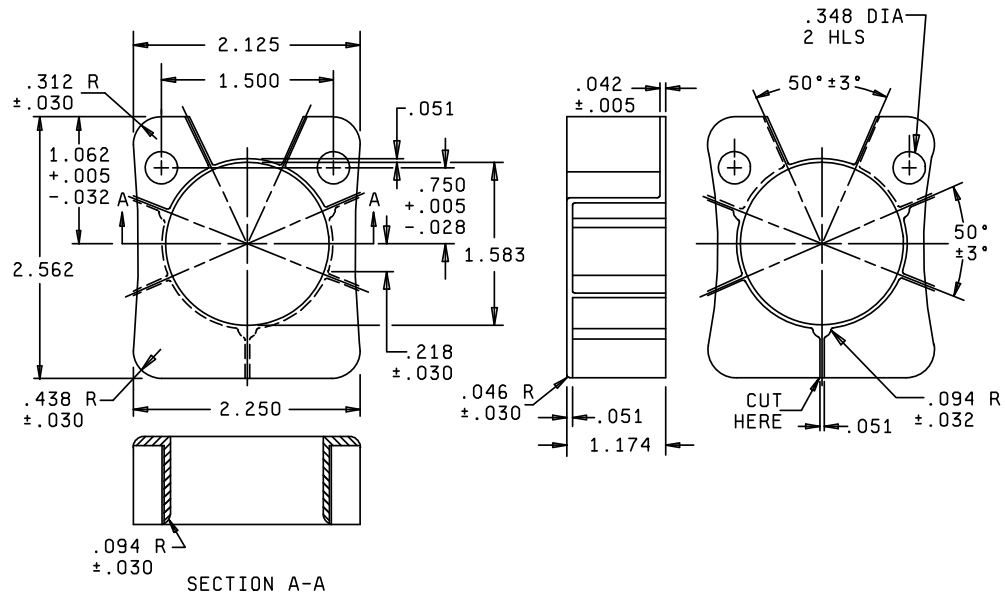
The requirements for acquiring the relay described herein shall consist of this specification and the latest issue of MIL-PRF-6106.



| Terminal cover dash number | For use with relay |
|----------------------------|---------------------------------|
| -1 | MS24376-A1 -A2 -D1 -D2 |
| | MS24143-D1 -D2 |

FIGURE 1. Configurations and dimensions.

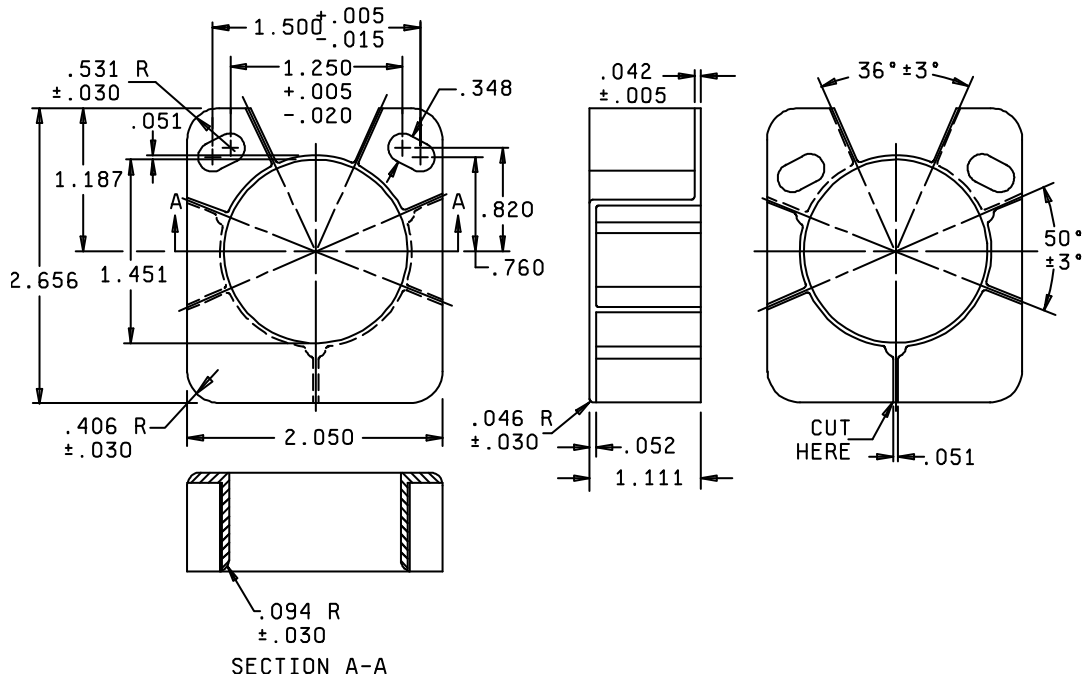
MS27243M



| Terminal cover dash number | For use with relay |
|----------------------------|-------------------------------------|
| -2 | MS24141-D1 -D2 MS24183-D1 |

FIGURE 1. Configurations and dimensions - Continued.

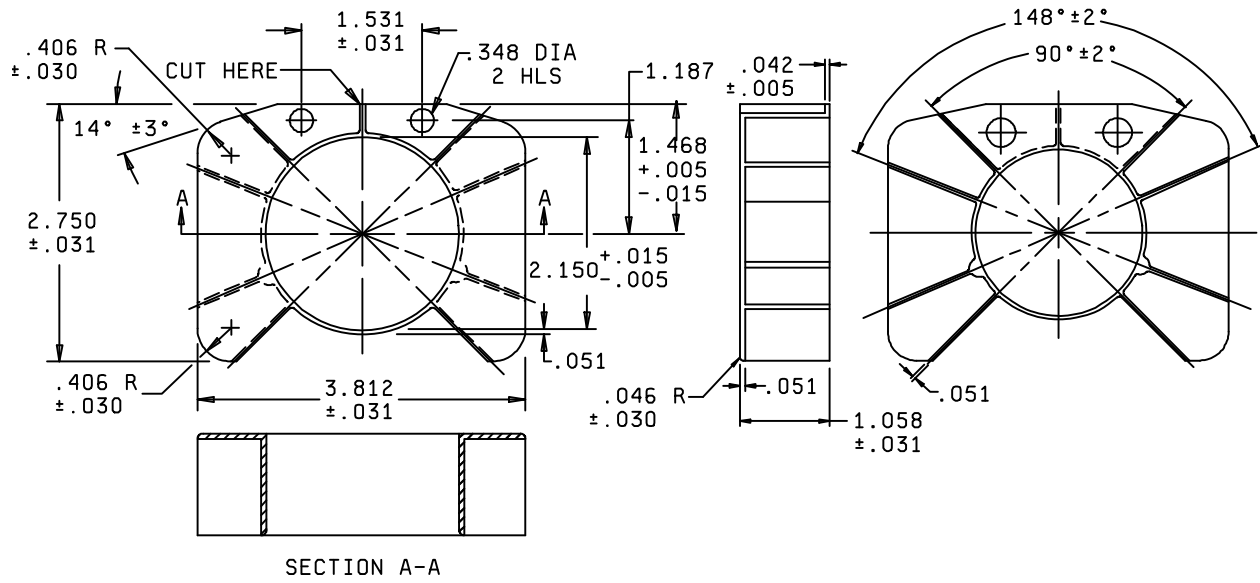
MS27243M



| Terminal cover dash number | For use with relay |
|----------------------------|---|
| -3 | MS24140-1 -2 -D1 -D2 MS24182-1 -D1 |

FIGURE 1. Configurations and dimensions - Continued.

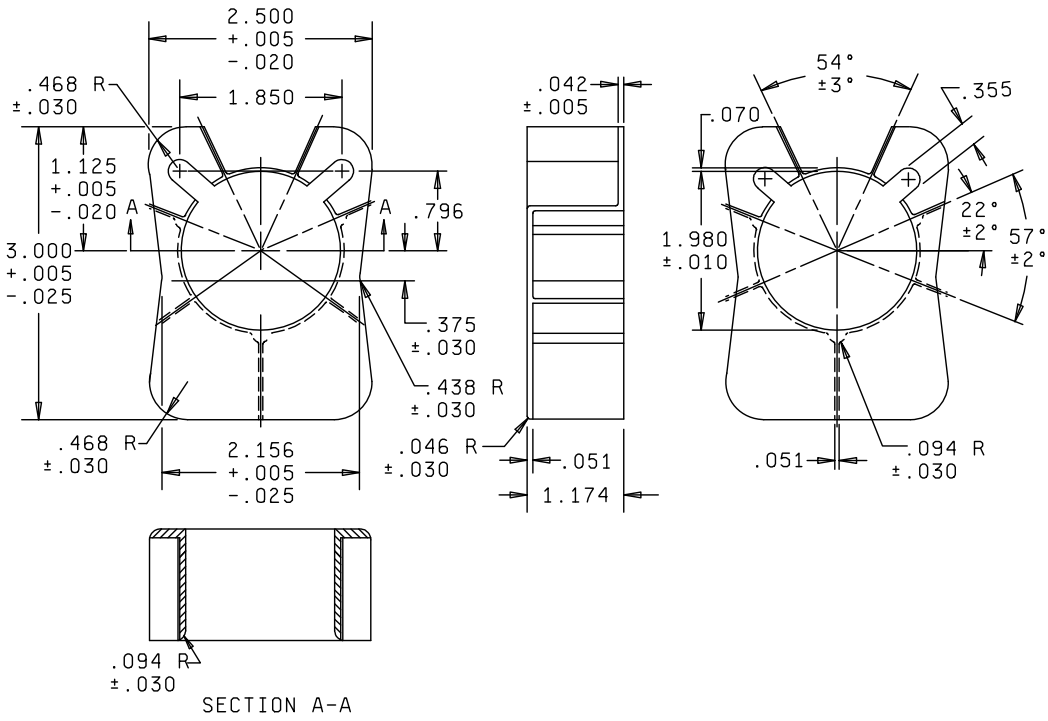
MS27243M



| Terminal cover dash number | For use with relay |
|----------------------------|--------------------|
| -4 | MS24168-D1 -D2 |

FIGURE 1. Configurations and dimensions - Continued.

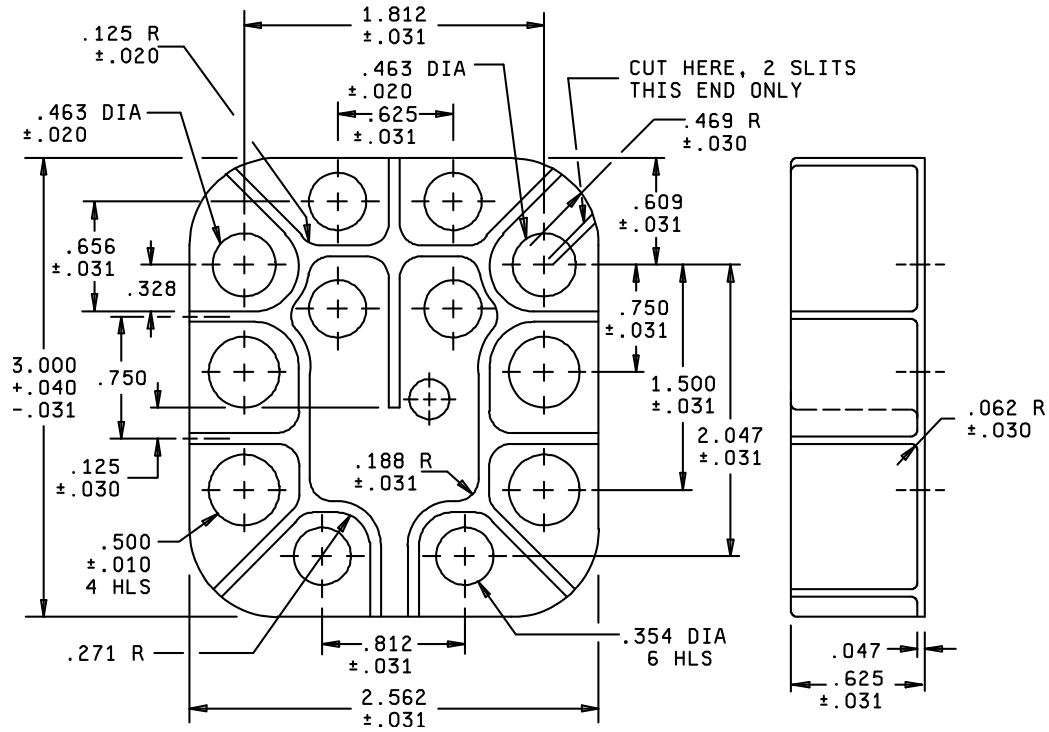
MS27243M



| Terminal cover dash number | For use with relay |
|----------------------------|--------------------|
| -5 | MS24142-D1 -D2 |
| | MS24184-D2 |

FIGURE 1. Configurations and dimensions - Continued.

MS27243M



| Terminal cover dash number | For use with relay |
|----------------------------|--|
| -6 | MS27222-1 -2 MS27997-D1 -D2 |

FIGURE 1. Configurations and dimensions - Continued.

MS27243M

| Inches | mm | Inches | mm | Inches | mm | Inches | mm |
|--------|------|--------|-------|--------|-------|--------|-------|
| .002 | 0.05 | .094 | 2.39 | .531 | 13.49 | 1.531 | 38.89 |
| .003 | 0.08 | .125 | 3.18 | .609 | 15.47 | 1.583 | 40.21 |
| .005 | 0.13 | .188 | 4.78 | .625 | 15.88 | 1.850 | 46.99 |
| .010 | 0.25 | .218 | 5.54 | .743 | 18.87 | 1.980 | 50.29 |
| .01 | 0.3 | .271 | 6.88 | .750 | 19.05 | 2.047 | 51.99 |
| .015 | 0.38 | .312 | 7.92 | .796 | 20.22 | 2.050 | 52.07 |
| .020 | 0.51 | .328 | 8.33 | .812 | 20.62 | 2.150 | 54.61 |
| .025 | 0.64 | .348 | 8.84 | 1.000 | 25.40 | 2.250 | 57.15 |
| .030 | 0.76 | .354 | 8.99 | 1.058 | 26.87 | 2.327 | 59.11 |
| .042 | 1.07 | .355 | 9.02 | 1.062 | 26.97 | 2.562 | 65.07 |
| .046 | 1.17 | .375 | 9.52 | 1.111 | 28.22 | 2.656 | 67.46 |
| .047 | 1.19 | .406 | 10.31 | 1.174 | 29.82 | 2.750 | 69.85 |
| .051 | 1.30 | .438 | 11.13 | 1.187 | 30.15 | 2.937 | 74.60 |
| .052 | 1.32 | .463 | 11.76 | 1.250 | 31.75 | 3.000 | 76.20 |
| .062 | 1.57 | .468 | 11.89 | 1.468 | 37.29 | 3.812 | 96.82 |
| .070 | 1.78 | .500 | 12.70 | 1.500 | 38.10 | | |

NOTES:

1. Dimensions are in inches.
2. Metric equivalents are given for general information only.
3. Unless otherwise specified, tolerance is ± 0.010 (0.25 mm).

FIGURE 1. Configurations and dimensions - Continued.

REQUIREMENTS

Dimensions and configurations: See [figure 1](#).

Material: Nylon in accordance with [ASTM-D4066](#), natural color.

Qualification: The qualifying requirements excluding examination of product and tests specified by [MIL-PRF-6106](#) are not applicable to items covered by this specification.

Part or Identifying Number (PIN): MS27243 (plus dash number from [figure 1](#)).

Referenced documents. In addition to [MIL-PRF-6106](#), this document references the following:

[ASTM-D4066](#) [MS24376](#) [MS24143](#) [MS24141](#) [MS24183](#) [MS24140](#) [MS24182](#) [MS24168](#) [MS24142](#) [MS24184](#)
[MS27222](#) [MS27997](#)

Changes from previous issue. The margins of this specification are marked with vertical lines to indicate where changes from the previous issue were made. This was done as a convenience only and the Government assumes no liability whatsoever for any inaccuracies in these notations. Bidders and contractors are cautioned to evaluate the requirements of this document based on the entire content irrespective of the marginal notations and relationship to the previous issue.

MS27243M

Custodians:

Navy – AS
Air Force - 85
DLA - CC

Preparing activity:

DLA - CC

Review activity:

Air Force - 99

(Project 5945-2014-022)

NOTE: The activities listed above were interested in this document as of the date of this document. Since organizations and responsibilities can change, you should verify the currency of the information above using the ASSIST Online database at <https://assist.dla.mil>.