

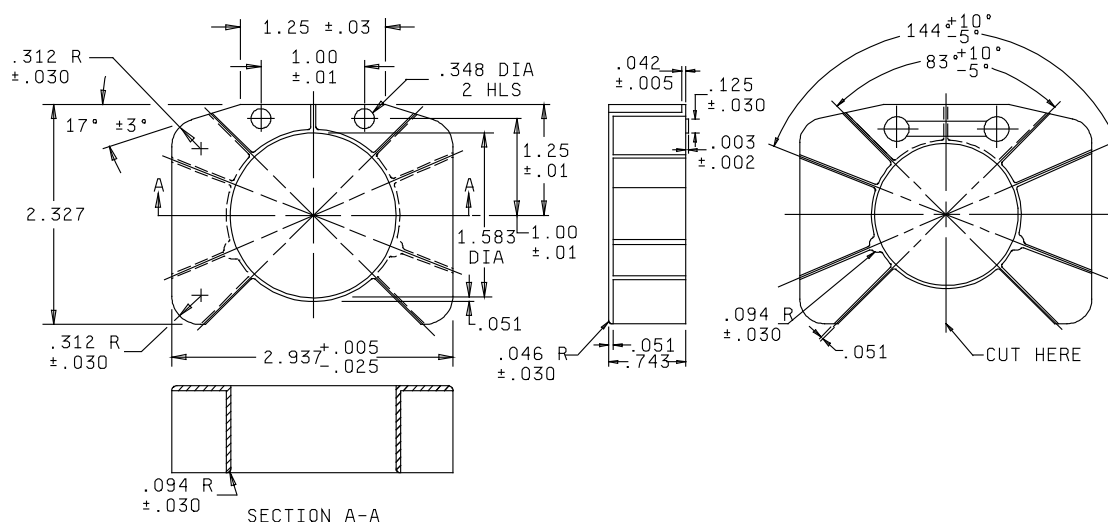
INCH-POUND
 MS27243K
 7 June 2011
 SUPERSEDING
 MS27243J
 15 December 2001

DETAIL SPECIFICATION SHEET

RELAY, 10 AMP, 4PDT, SEALED, CLASS O

This specification is approved for use by all Departments and Agencies of the Department of Defense.

The requirements for acquiring the relay described herein shall consist of this specification and MIL-PRF-6106.

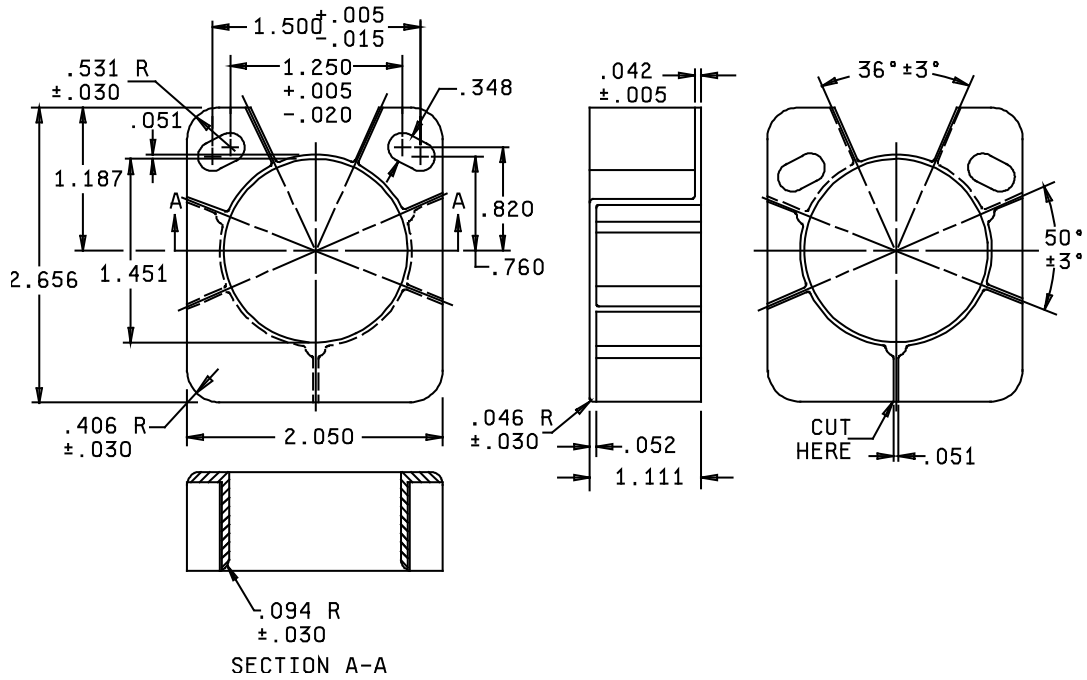


Terminal cover dash number	For use with relay
-1	MS24376-A1
	-A2
	-D1
	-D2
	MS24143-D1
	-D2

Terminal cover dash number	For use with relay
-2	MS24141-D1
	-D2
	MS24183-D1

FIGURE 1. Configurations and dimensions.

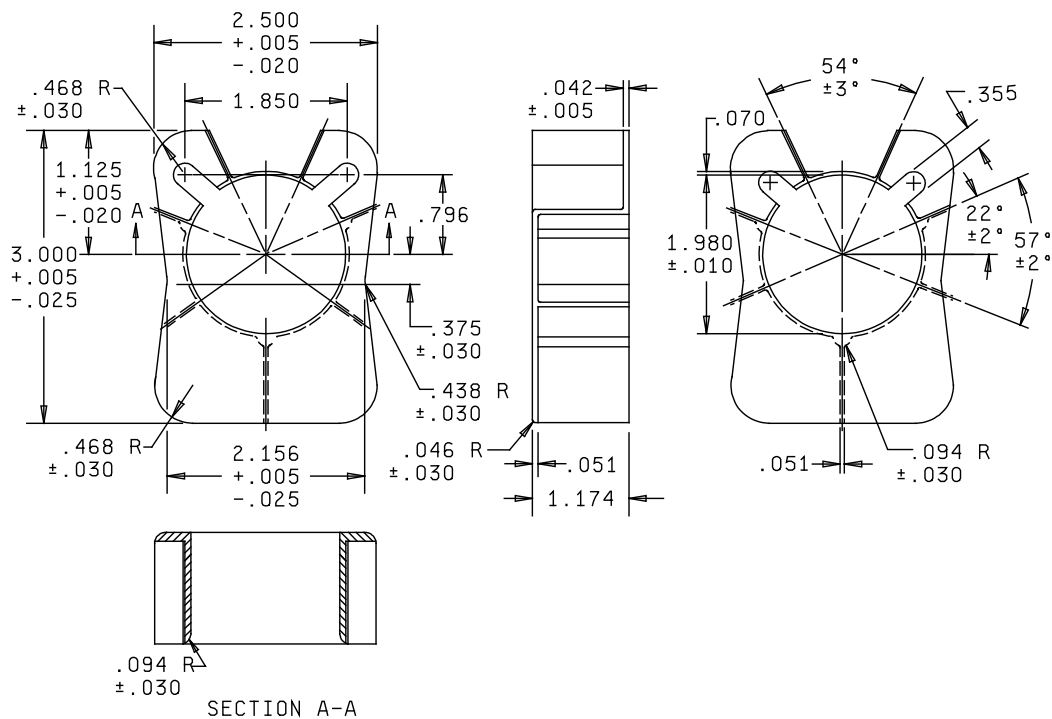
MS27243K



Terminal cover dash number	For use with relay
-3	MS24140-1
	-2
	-D1
	-D2
	MS24182-1
	-D1

FIGURE 1. Configurations and dimensions - Continued.

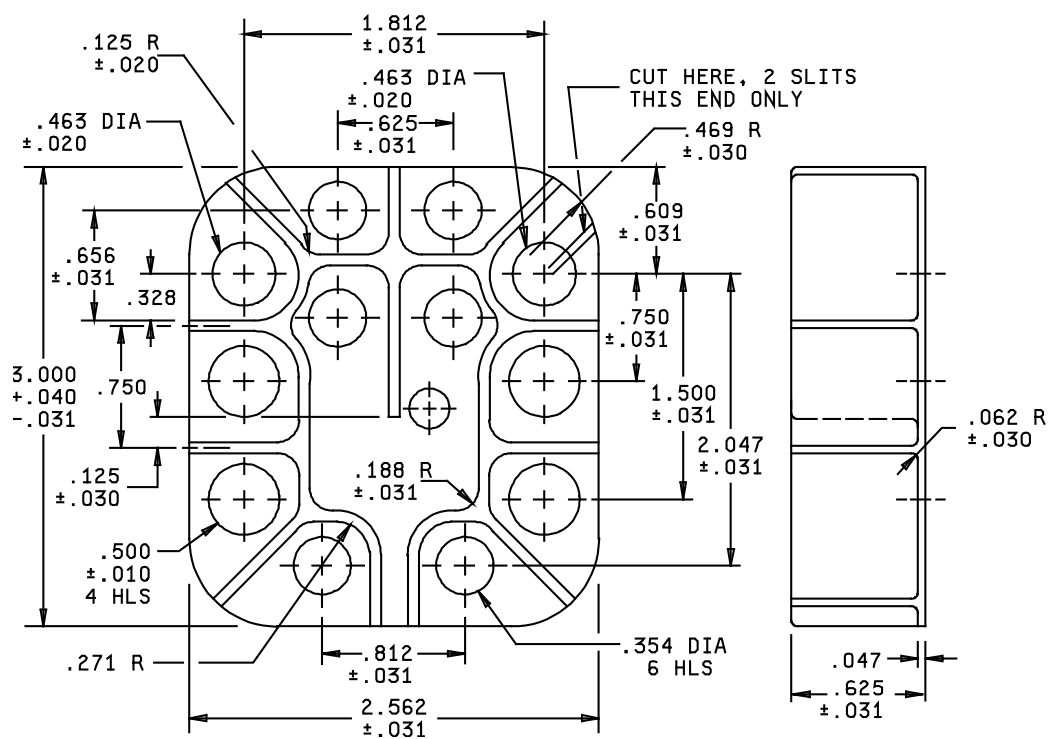
MS27243K



Terminal cover dash number	For use with relay
-5	MS24142-D1
	-D2
	MS24184-D2

FIGURE 1. Configurations and dimensions - Continued.

MS27243K



Terminal cover dash number	For use with relay
-6	MS27222-1 -2
	MS27997-D1 -D2

FIGURE 1. Configurations and dimensions - Continued.

MS27243K

Inches	mm	Inches	mm	Inches	mm	Inches	mm
.002	0.05	.094	2.39	.531	13.49	1.531	38.89
.003	0.08	.125	3.18	.609	15.47	1.583	40.21
.005	0.13	.188	4.78	.625	15.88	1.850	46.99
.010	0.25	.218	5.54	.743	18.87	1.980	50.29
.01	0.3	.271	6.88	.750	19.05	2.047	51.99
.015	0.38	.312	7.92	.796	20.22	2.050	52.07
.020	0.51	.328	8.33	.812	20.62	2.150	54.61
.025	0.64	.348	8.84	1.000	25.40	2.250	57.15
.030	0.76	.354	8.99	1.058	26.87	2.327	59.11
.042	1.07	.355	9.02	1.062	26.97	2.562	65.07
.046	1.17	.375	9.52	1.111	28.22	2.656	67.46
.047	1.19	.406	10.31	1.174	29.82	2.750	69.85
.051	1.30	.438	11.13	1.187	30.15	2.937	74.60
.052	1.32	.463	11.76	1.250	31.75	3.000	76.20
.062	1.57	.468	11.89	1.468	37.29	3.812	96.82
.070	1.78	.500	12.70	1.500	38.10		

NOTES:

1. Dimensions are in inches.
2. Metric equivalents are given for general information only.
3. Unless otherwise specified, tolerance is ± 0.010 (0.25 mm).

FIGURE 1. Configurations and dimensions - Continued.

MS27243K

REQUIREMENTS

Dimensions and configurations: See figure 1.

Material: Nylon in accordance with ASTM D4066, natural color.

Qualification: The qualifying requirements excluding examination of product and tests specified by MIL-PRF-6106 are not applicable to items covered by this specification.

Part or Identifying Number (PIN): MS27243 (plus dash number from figure 1).

Reference documents:

MIL-PRF-6106
ASTM-D4066

Marginal notations are not used in this revision to identify changes with respect to the previous issue due to the extent of the changes.

Custodian:

Air Force - 85
Navy - AS
DLA - CC

Preparing activity:
DLA - CC

Review activity:

Air Force - 99

(Project 5945-2011-018)

NOTE: The activities listed above were interested in this document as of the date of this document. Since organizations and responsibilities can change, you should verify the currency of the information above using the ASSIST Online database at <https://assist.daps.dla.mil/>.