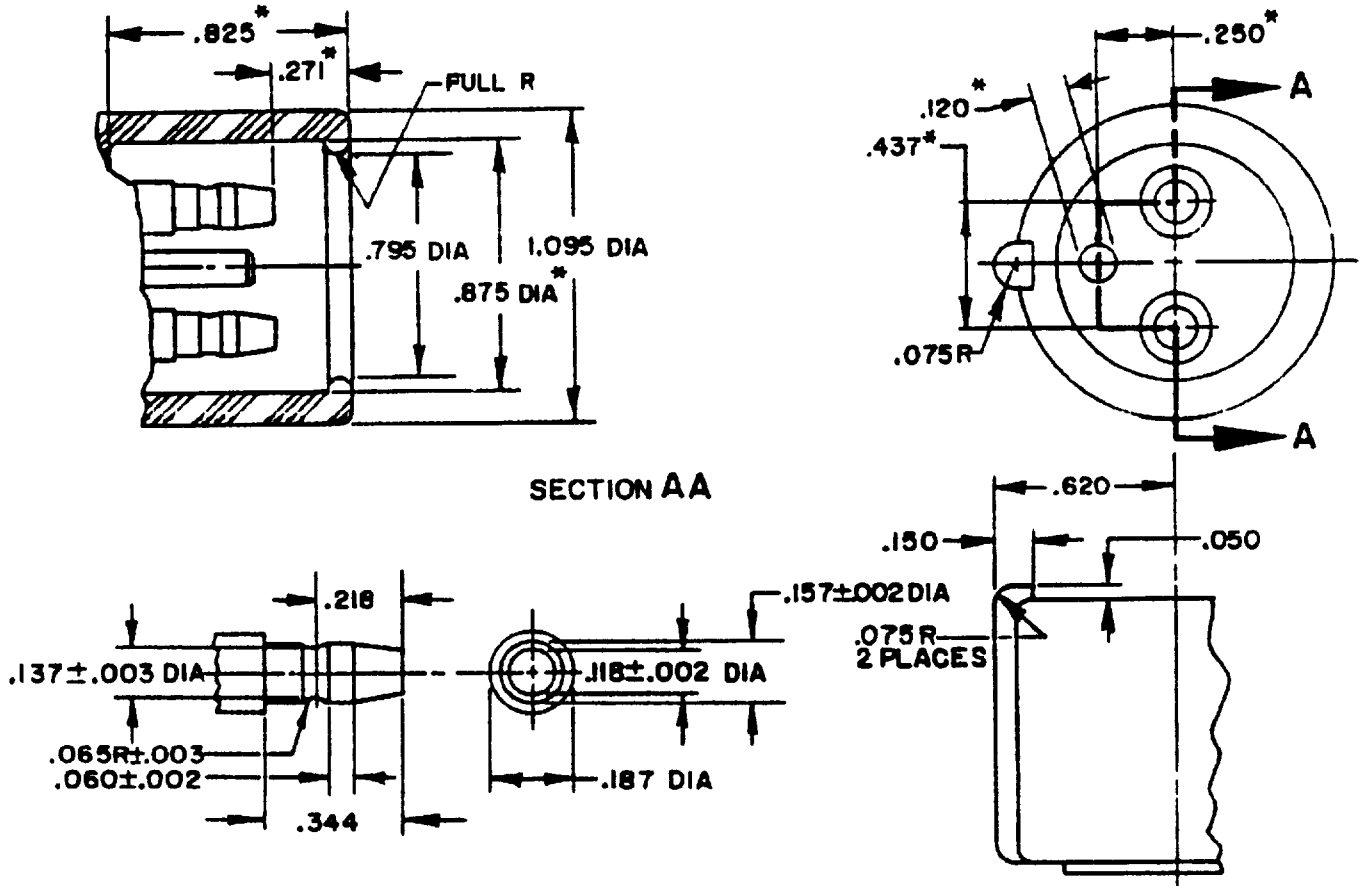


The requirements for acquiring the product(s) described herein shall consist of this specification sheet and the issue of the following specification listed in that issue of the DoD ISS specified in the solicitation:

This specification is approved for use by all Departments and Agencies of the Department of Defense.



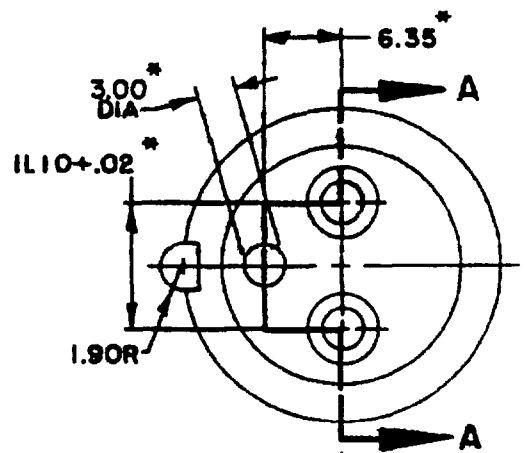
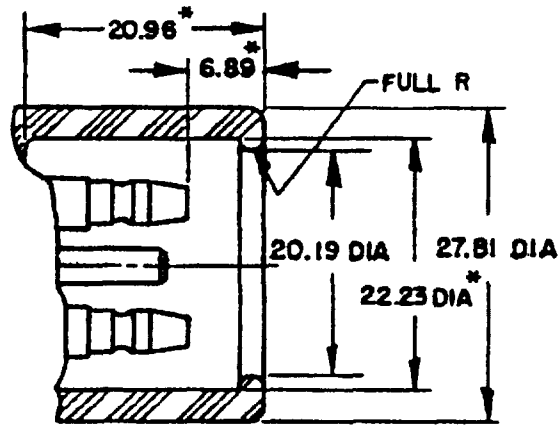
SECTION AA

DIMENSIONS SHOWN ARE IN INCHES

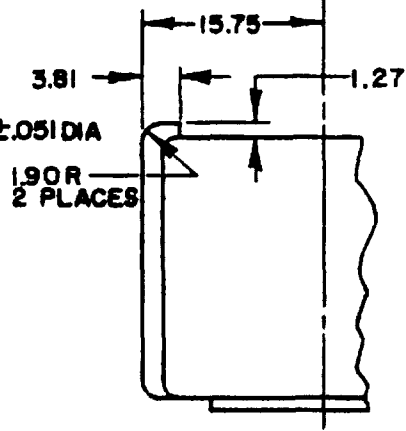
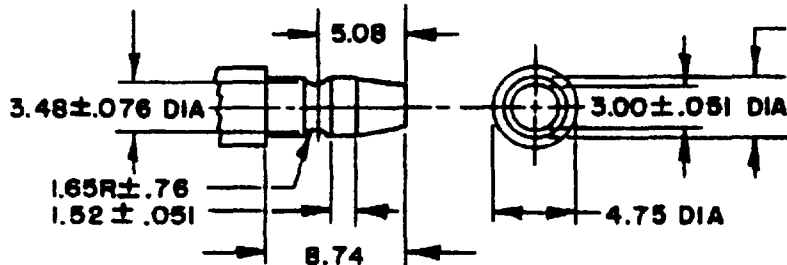
(B) DENOTES CHANGES

PREPARING ACTIVITY- ARMY-AT CUSTODIANS. ARMY- AT NAVY- (B) AIR FORCE- 99 REVIEW ARMY-CR, ME, AF-85, DLA-ES USER ARMY-AR, GL, NAVY-MC, YC PROJECT NUMBER. 5935-3685-02	MILITARY SPECIFICATION SHEET		SPECIFICATION SHEET NUMBER MS27146B 14 APRIL 1989	
	TITLE: CONNECTOR, RECEPTACLE, ELECTRICAL DOUBLE CONTACT, WATERPROOF		SUPERSADING MS27146A, 1 SEPTEMBER 1967	
	INTERNATIONAL INTEREST	NATO-STANAG 4040	AMSC-NA	FSC- 5935
DISTRIBUTION STATEMENT A. Approved for public release, distribution is unlimited.				Page 1 of 3

The requirements for acquiring the product(s) described herein shall consist of this specification sheet and the issue of the following specification listed in that issue of the DoDISS specified in the solicitation:



SECTION A



DIMENSIONS SHOWN ARE IN MILLIMETERS

This specification is approved for use by all Departments and Agencies of the Department of Defense.

<p>PREPARING ACTIVITY: ARMY-AT CUSTODIANS: ARMY-AT NAVY-AIR FORCE-99 REVIEW: ARMY-CR, ME; AF-85; DLA-ES USER: ARMY-AR, GL, NAVY-MC, YD PROJECT NUMBER: 5935-3685-02</p>	<p>MILITARY SPECIFICATION SHEET TITLE: CONNECTOR, RECEPTACLE, ELECTRICAL. DOUBLE CONTACT, WATERPROOF INTERNATIONAL INTEREST NATO-STANAG 4040</p>	<p>SPECIFICATION SHEET NUMBER: MS27146B 14 APRIL 1989 SUPERSEDING: MS27146A, 1 SEPTEMBER 1967 ANSC-NA FSC-5935</p>
<p>DISTRIBUTION STATEMENT A. Approved for public release; distribution is unlimited.</p>		<p>Page 2 of 3</p>

the requirements for acquiring the product(s) described herein shall consist of this specification sheet and the issue of the foil & specification listed in that issue of the DoDISS specified in the solicitation.

This specification is approved for use by all departments and Agencies of the Department of Defense.

NOTES:

- (B) 1. MATERIAL:
SHELL. RUBBER-GRADE SC615 $A_1C_1E_3F_2$, MIL-STD-417.
TERMINAL: BRASS-COMPOSITION 11 OR 22. TEMPER HALF HARD MINIMUM, QQ-S-626.
2. PROTECTIVE FINISH:
TERMINAL: SILVER PLATE, TYPE II, GRADE A, .0002 MIN. THICKNESS, QQ-S-365
3. WHEN CONNECTORS ARE COUPLED, VOLTAGE DROP SHALL NOT EXCEED 20 MILLIVOLTS AND SHALL MEET THE REQUIREMENTS OUTLINED IN MIL-STD-202, METHOD 307.
4. WHEN CONNECTORS ARE COUPLED, THE ASSEMBLY SHALL WITHSTAND DIELECTRIC STRENGTH TEST OF 1000 VOLTS AND MEET THE REQUIREMENTS OUTLINED IN MIL-STD-302, METHOD 302.
- (B) 5. WHEN CONNECTORS ARE COUPLED, THE ASSEMBLY SHALL MEET THE REQUIREMENTS OF WATERPROOFNESS TEST OUTLINED IN MIL-STD-1184, METHOD 100, PROCEDURE 1.
6. THE ASSEMBLY SHALL MEET THE REQUIREMENTS OF SALT SPRAY CORROSION TEST OUTLINED IN MIL-STD-202, METHOD 101 (5% SALINE, 200 HOURS).
7. REFERENCED ENGINEERING PARTS LIST MAY BE OBTAINED FROM US ARMY TANK-AUTOMOTIVE COMMAND, WARREN, MI 48397-5000.
8. FOR MATING CONNECTOR SEE MS27145.

CERTAIN PROVISIONS OF THIS STANDARD (IDENTIFIED BY *) ARE THE SUBJECT OF INTERNATIONAL STANDARDIZATION AGREEMENT NATO-STANAG 4040. WHEN REVISION OR CANCELLATION OF THIS STANDARD IS PROPOSED WHICH WILL EFFECT OR VIOLATE THE INTERNATIONAL AGREEMENT CONCERNED, THE PREPARING ACTIVITY WILL TAKE APPROPRIATE RECONCILIATION ACTION THROUGH INTERNATIONAL STANDARDIZATION CHANNELS, INCLUDING DEPARTMENTAL STANDARDIZATION OFFICES, IF REQUIRED.

PREPARING ACTIVITY: ARMY-AT	<u>MILITARY SPECIFICATION SHEET</u>		SPECIFICATION SHEET NUMBER	
CUSTODIANS: ARMY-AT NAVY- AIR FORCE-99	TITLE: CONNECTOR, RECEPTACLE, ELECTRICAL DOUBLE CONTACT, WATERPROOF		MS27146B 14 APRIL 1989	
REVIEW ARMY-CR, ME, AF-85, DLA-FS USER ARMY-AR, GL, NAVY-MC, YD	INTERNATIONAL INTEREST		SUPERSEDING: MS27146A, 1 SEPTEMBER 1967	
PROJECT NUMBER 5935-3685-02	NATO-STANAG 4040	AMSC-NA	FSC- 5935	
DISTRIBUTION STATEMENT A Approved for public release, distribution is unlimited.				Page 3 of 3