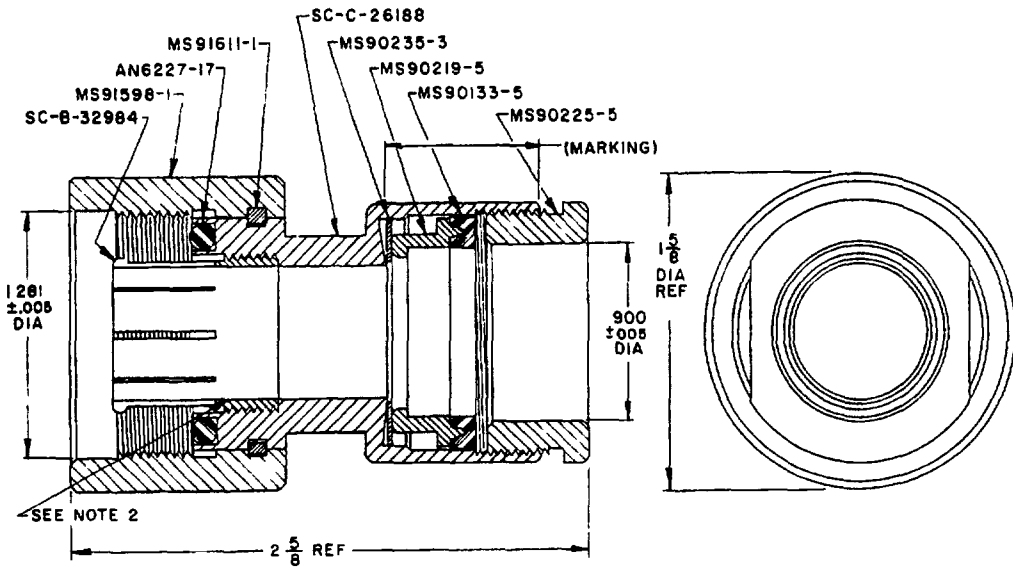


FED SUP CLASS
5935

NOTICE - When Government drawings, specifications, or other data are used for any purpose other than in connection with a definitely related Government procurement operation, the United States Government hereby incurs no responsibility nor any obligation whatsoever and the fact that the Government may have furnished, furnished, or in any way supplied the said drawings, specifications, or other data is not to be regarded by implication or otherwise as in any manner licensing the holder or any other person or corporation as conveying any right or permission to manufacture, use or sell any patented invention that may in any way be related thereto.



MS PART NO MS -1258

SIGNAL CORPS DRAWING NO. MS PART NO. OR ALT. PART NO.	DESCRIPTION	QUANTITY
SC-C-26188	Body	1
SC-B-32984	Outer contact	1
MS90133-5	V-groove gasket	1
MS90219-5	Washer	1
MS90225-5	Clamp	1
MS90235-3	Washer	1
MS91598-1	Coupling nut	1
MS91611-1	Washer	1
AN6227-17	O ring	1

NOTES

- All dimensions in inches
- Stake to threads in four equally-spaced places
- The dielectric-withstanding-voltage test is not applicable
- The MS part number consists of the MS military-standard number followed by a dash number. The dash number "1258" is derived from assigned nomenclature
- Referenced documents shall be of the issue in effect on date of invitations for bid.
- For design feature purposes, this standard takes precedence over procurement documents referenced herein

INACTIVE FOR NEW DESIGN.
15 January 1973
NO SUPERSEDING STANDARD

ENGINEERING DATA WEATHERPROOF, RADIOFREQUENCY, COAXIAL PLUG CONNECTOR, NOMINAL IMPEDANCE, 50 OHMS, RATED AT 5,000 VOLTS, PEAK, PRACTICAL FREQUENCY LIMIT, 1,000 MCS, FOR USE WITH RG-17/J AND PG-218/U RF CABLES

This military standard is approved by the Department of Defense and is mandatory on all activities. Selection for all new engineering and design applications and for repetitive use shall be made from this document.

APPROVED 7 APRIL 61 REVISED 15 JAN 73

P.A. EL	TITLE	MILITARY STANDARD
Other Cust EC	CONNECTOR, PLUG, ELECTRICAL, SERIES LC, UG-1258/U	MS27140
80		
PROCUREMENT SPECIFICATION MIL-C-3850	SUPERSEDES	SHEET 1 OF 1

SPECIFICATION ANALYSIS SHEET		Form Approved Budget Bureau No 22-R255
<p>INSTRUCTIONS: This sheet is to be filled out by personnel, either Government or contractor, involved in the use of the specification in procurement of products for ultimate use by the Department of Defense. This sheet is provided for obtaining information on the use of this specification which will insure that suitable products can be procured with a minimum amount of delay and at the least cost. Comments and the return of this form will be appreciated. Fold on lines on reverse side, staple in corner, and send to preparing activity. Comments and suggestions submitted on this form do not constitute or imply authorization to waive any portion of the referenced document(s) or serve to amend contractual requirements.</p>		
SPECIFICATION MS27140 CONNECTOR, PLUG, ELECTRICAL, SERIES LC, UG-1258/U		
ORGANIZATION		
CITY AND STATE		CONTRACT NUMBER
MATERIAL PROCURED UNDER A		
<input type="checkbox"/> DIRECT GOVERNMENT CONTRACT <input type="checkbox"/> SUBCONTRACT		
<p>1 HAS ANY PART OF THE SPECIFICATION CREATED PROBLEMS OR REQUIRED INTERPRETATION IN PROCUREMENT USE?</p> <p>A GIVE PARAGRAPH NUMBER AND WORDING</p>		
<p>B RECOMMENDATIONS FOR CORRECTING THE DEFICIENCIES</p>		
2 COMMENTS ON ANY SPECIFICATION REQUIREMENT CONSIDERED TOO RIGID		
<p>3 IS THE SPECIFICATION RESTRICTIVE?</p> <p><input type="checkbox"/> YES <input type="checkbox"/> NO (If "yes", in what way?)</p>		
<p>4 REMARKS (Attach any pertinent data which may be of use in improving this specification. If there are additional papers, attach to form and place both in an envelope addressed to preparing activity)</p>		
SUBMITTED BY (Printed or typed name and activity - Optional)		DATE

To detach this form, cut along this line

DD FORM 1426
1 JAN 66

REPLACES EDITION OF 1 OCT 64 WHICH MAY BE USED

ESC-FM 1068-68

FOLD

Department of the Army
Headquarters
U.S. Army Electronics Command
Fort Monmouth, New Jersey 07703

POSTAGE AND FEES PAID

OFFICIAL BUSINESS

Commanding General
U.S. Army Electronics Command
ATTN AMSEL- PP-ED
Fort Monmouth, New Jersey 07703

To detach this form, cut along this line

FOLD