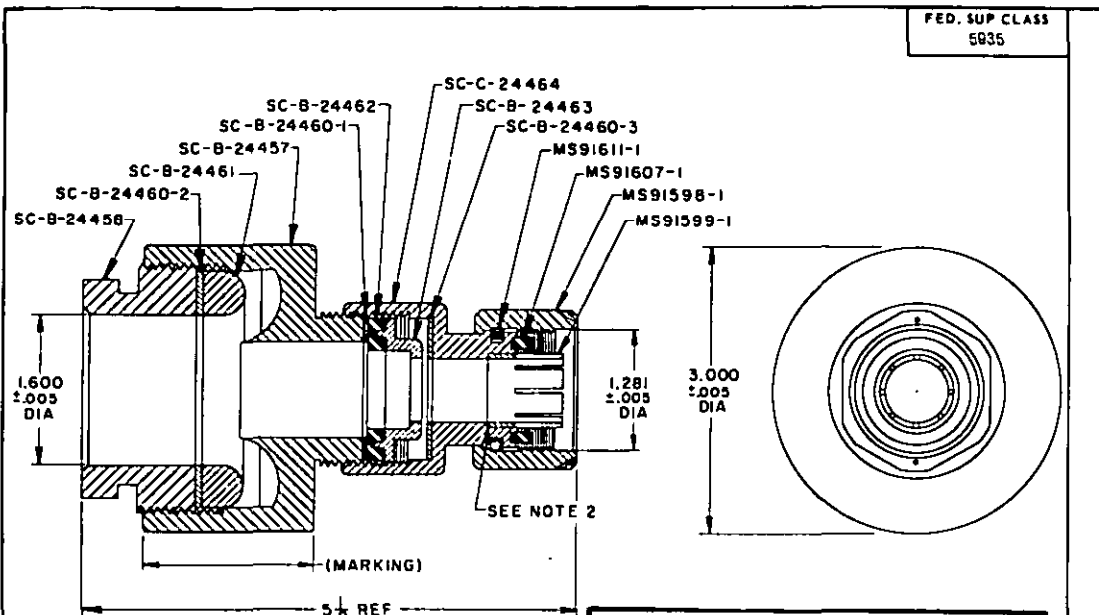


FED. SUP CLASS
5835

NOTICE.—When Government drawings, specifications, or other data are used for any purpose other than in connection with a definitely related Government procurement operation, the United States Government hereby incurs no responsibility, nor any obligation whatsoever; and the fact that the Government may have furnished, furnished, or in any way supplied the said drawings, specifications, or other data, shall not be regarded by implication or otherwise as in any manner increasing the liability of any other person in cooperation, or deriving any right or permission to manufacture, use, or sell any patented invention that may in any way be related thereto.



INACTIVE FOR NEW DESIGN.
15 January 1973
NO SUPERSEDING STANDARD

MS PART NO. MS -1179

SIGNAL CORPS DRAWING NO. OR MS PART NO.	DESCRIPTION	QUANTITY
SC-B-24457	Armor clamp	1
SC-B-24458	Armor nut	1
SC-B-24459	Electrical contact ¹	1
SC-B-24460-1	Washer	1
SC-B-24460-2	Washer	1
SC-B-24460-3	Washer	1
SC-B-24461	Armor ring	1
SC-B-24462	Gasket	1
SC-B-24463	Braid clamp	1
SC-C-24464	Body	1
MS91598-1	Coupling nut	1
MS91599-1	Electrical contact	1
MS91607-1	Gasket	1
MS91611-1	Washer	1

¹This part is not shown on the assembly drawing, but shall be furnished with each assembly to form a complete unit.

NOTES:

- All dimensions in inches.
- Body SC-C-24464 and electrical contact MS91599-1 shall be soldered together, all around.
- The dielectric-withstanding-voltage test is not applicable.
- The MS part number consists of the MS military-standard number followed by a dash number. The dash number "1179" is derived from assigned nomenclature.
- Referenced documents shall be of the issue in effect on date of invitations for bid.
- For design feature purposes, this standard takes precedence over procurement documents referenced herein.

ENGINEERING DATA: WEATHERPROOF, RADIOFREQUENCY, COAXIAL PLUG CONNECTOR; NOMINAL IMPEDANCE, 50 OHMS; RATED AT 5,000 VOLTS, PEAK; PRACTICAL FREQUENCY LIMIT, 1,000 MCS; FOR USE WITH RG-85/U RF CABLE.

This military standard is approved by the Department of Defense and is mandatory on all activities. Sections of this standard may be revised and design applications and for repetitive use shall be made after this document.

P.A. Other Cust EC 80	TITLE CONNECTOR, PLUG, ELECTRICAL, SERIES LC, UG-1179/U	MILITARY STANDARD MS27138
PROCUREMENT SPECIFICATION MIL-C-3850	SUPERSEDES:	SHEET 1 OF 1

APPROVED 7 APRIL 61 REVISED 15 JAN 73