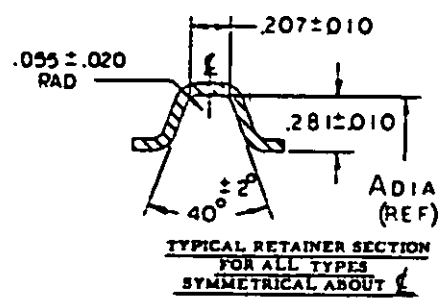
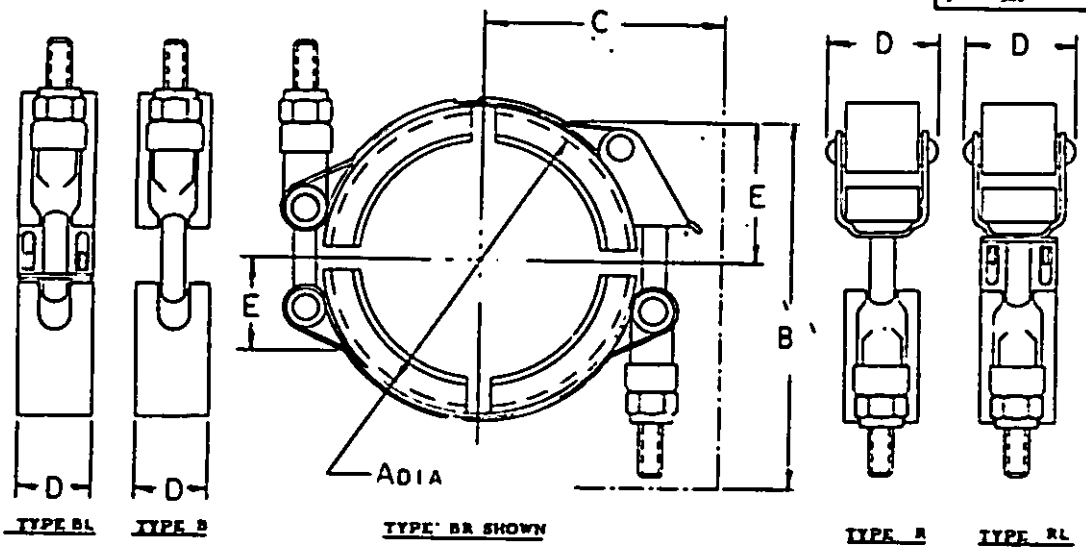


FED. SUP CLASS
43.3



MATERIAL: SEE PROCUREMENT SPECIFICATION
FINISH: SEE PROCUREMENT SPECIFICATION
 REMOVE ALL BURRS AND SHARP EDGES
 DIMENSIONS ARE IN INCHES
 LATCH ELEMENTS ARE OPTIONAL WITHIN ENVELOPES SHOWN
 ENVELOPE DIMENSIONS APPLY WHEN THE COUPLING IS IN THE TIGHTENED CONDITION AT THE MAXIMUM AND MINIMUM POSITIONS OF ITS DIAMETRAL RANGE.
 EXAMPLES OF PART NUMBER: (00 REPRESENTS DASH NUMBER)

- MS 27114-00B • BASIC LATCH COUPLING
- MS 27114-00R • QUICK COUPLER LATCH COUPLING
- MS 27114-00BR • BASIC AND QUICK COUPLER COUPLING
- MS 27114-00BL • T-BOLT LATCH WITH REDUNDANT LATCH COUPLING
- MS 27114-00RL • QUICK COUPLER LATCH WITH REDUNDANT LATCH COUPLING
- MS 27114-00BRL • BASIC AND QUICK COUPLER LATCH WITH REDUNDANT LATCH COUPLING

QUICK COUPLER LATCH COUPLING SHALL CONTAIN ONLY ONE QUICK COUPLER LATCH
 CERTAIN PROVISIONS OF THIS STANDARD (PROFILE DIMENSIONS AND FLANGE OD INCREMENT SIZE RANGES) ARE THE SUBJECT OF INTERNATIONAL STANDARDIZATION AGREEMENT ABC AIR STD 17/19. WHEN REVISION OR CANCELLATION OF THIS STANDARD IS PROPOSED, THE DEPARTMENTAL CUSTODIAN WILL INFORM THEIR RESPECTIVE DEPARTMENTAL STANDARDIZATION OFFICES SO THAT APPROPRIATE ACTION MAY BE TAKEN RESPECTING THE INTERNATIONAL AGREEMENT CONCERNED.

FOR DESIGN FEATURE PURPOSES, THIS STANDARD TAKES PRECEDENCE OVER PROCUREMENT DOCUMENTS REFERENCED HEREIN.
 REFERENCED DOCUMENTS SHALL BE OF THE ISSUE IN EFFECT ON DATE OF INVITATIONS FOR BID

© ENTIRE STANDARD REVISED.

This military standard is approved by the Department of the Air Force and the NAVY AIR STAFF COMMAND and is mandatory for use by these activities. All other military activities are required to employ this standard where suitable.

Review activities: May - 45 CAP - 11

APPROVED 5 MARCH 62 REVISED (A) 29 AUG 62 (B) 15 OCT 63 (C) 1 NOV 66

P.A. USAF - II Other Cust Navy - AS	TITLE COUPLING-CLAMP, GROOVED V-BAND, 1.750 TO 14.250 FLANGE O D (-65° F TO +800° F)	MILITARY STANDARD	
		MS 27114(ASG)	
PROCUREMENT SPECIFICATION MIL-C-27536	SUPERSEDES	SHEET 1 OF 2	

This military standard is approved by the Department of the Air Force and the NAVY AIR STAFFS COMMAND and is mandatory for use by these activities. All other military activities are required to employ this standard where applicable.

Review activities:
NAVY - AS
USAF - 11

FED. SUP CLASS
5360

DASH NO.	FLANGE OD (MS24543)	AIRIAL LOAD RATING (LB)	A .03 .06 DIA	LATCH ENVELOPE												MIN BOLT SIZE (LB IN.)	RATED TORQUE (LB IN.)	MAX WT (LB)				
				B MAX			C MAX			D MAX			E MAX					B	R	RL		
				B	RL	R	B	RL	R	B	RL	R	B	RL	R							
01	1.75	8,790	1.88				1.75	1.85										.35	.40	.39	.44	
02	1.88	8,820	2.00				1.80	1.90											.36	.41	.40	.45
03	2.00	8,855	2.12				1.85	1.95											.37	.42	.41	.46
04	2.12	8,890	2.25				1.90	2.00											.39	.44	.43	.48
05	2.25	8,925	2.38	3.50	4.00	4.50	2.00	2.10											.40	.45	.44	.49
06	2.38	8,960	2.50				2.05	2.15	.80	.90	1.10								.41	.46	.45	.50
07	2.50	8,995	2.62				2.10	2.20											.42	.47	.46	.51
08	2.62	9,025	2.75				2.20	2.30											.44	.49	.48	.53
09	2.75	9,060	2.88				2.25	2.35											.45	.50	.49	.54
10	2.88	13,850	3.00				2.45	2.50											.77	.87	.85	.95
11	3.00	13,925	3.12				2.50	2.60											.79	.89	.87	.97
12	3.12	14,000	3.25				2.60	2.65											.80	.90	.88	.98
13	3.25	14,100	3.38				2.65	2.70											.82	.92	.90	1.00
14	3.38	14,225	3.62				2.75	2.85											.85	.95	.93	1.03
15	3.50	14,325	3.62				2.90	2.95	.95	1.00									.88	.98	.96	1.06
16	3.75	14,500	3.88				3.00	3.10											.92	1.02	1.00	1.10
17	4.00	14,725	4.12				3.15	3.20											.95	1.05	1.03	1.13
18	4.25	14,900	4.38				3.40	3.45											1.02	1.12	1.10	1.20
19	4.75	15,300	4.88				3.65	3.70											1.09	1.19	1.17	1.27
20	5.25	15,700	5.38				3.90	3.95											1.16	1.26	1.24	1.34
21	5.75	16,100	5.68	4.30	4.90	5.40	4.15	4.20											1.60	1.75	1.68	1.83
22	6.25	16,500	6.38				4.40	4.45											1.67	1.82	1.75	1.92
23	6.75	16,950	6.88				4.65	4.70											1.74	1.89	1.82	1.97
24	7.25	17,400	7.38				4.90	4.95											1.81	1.96	1.89	2.04
25	7.75	17,800	7.88				5.15	5.20											1.88	2.03	1.96	2.11
26	8.25	18,250	8.38				5.40	5.45											1.95	2.10	2.03	2.18
27	8.75	18,700	8.88				5.65	5.70	1.20	1.25								2.02	2.17	2.10	2.25	
28	9.25	19,100	9.38				5.90	5.95											2.10	2.25	2.18	2.33
29	9.75	19,550	9.88				6.15	6.20											2.17	2.32	2.25	2.40
30	10.25	20,000	10.38				6.40	6.45											2.24	2.39	2.32	2.47
31	10.75	20,500	10.88				6.65	6.70											2.31	2.46	2.39	2.54
32	11.25	21,000	11.38				6.90	6.95											2.39	2.54	2.47	2.62
33	11.75	21,450	11.88				7.15	7.20											2.46	2.61	2.54	2.69
34	12.25	21,900	12.38				7.40	7.45											2.53	2.68	2.61	2.76
35	12.75	22,400	12.88				7.65	7.70											2.60	2.75	2.68	2.83
36	13.25	22,850	13.38				7.90	7.95											2.67	2.82	2.75	2.90
37	13.75	23,300	13.88				8.15	8.20											2.74	2.89	2.82	2.97
37	14.25	23,800	14.38																			

P.A. USAF-11 Other Cos: Navy-AS	TITLE COUPLING-CLAMP, GROOVED V-BAND 1.750 TO 14.250 FLANGE O D (-65°F TO +800°F)	MILITARY STANDARD MS 27114(ASG)
PROCUREMENT SPECIFICATION MIL-C-27536	SUPERSEDES	SHEET 2 OF

DD FORM 1672-1 (limited coordination)

PREVIOUS EDITIONS OF THIS FORM ARE OBSOLETE.

APPROVED 5 MARCH 1962 REVISED (C) FOR CHANGES SEE SHEETS 1 AND 2