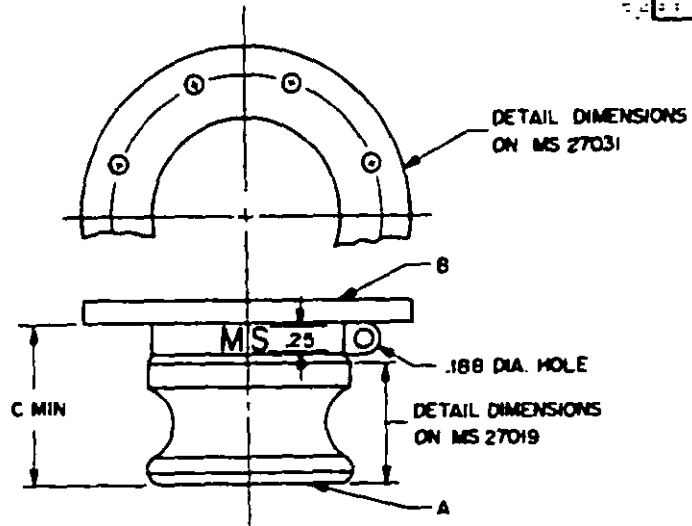


FED. SUP. CLASS  
4730



DASH NUMBER	CLASS NUMBER		DIM. A	SIZE B	DIM. C
	CLASS 1	CLASS 2			
- 11	1		2	2	2.875
- 12		1			
- 13	1		2.5	2.5	2.875
- 14		1			
- 15	1		3	3	2.875
- 16		1			
- 17	1		4	4	2.875
- 18		1			
- 19	1		6	6	3.125
- 20		1			
- 21	1		2	2 x 4	2.875
- 22		1			
- 23	1		1	1 x 2	2.875
- 24		1			
- 25	1		2	2 x 3	2.875
- 26		1			
- 27	1		3	3 x 4	2.875
- 28		1			

NOTES:

- MATERIAL
  - BODY
    - CLASS 1 ALUMINUM - QQ-A-601, alloys 356.0-T6, 712.0-T5 or 713.0-T5
    - CLASS 2 BRASS - QQ-C-390, ALLOY 836, 844 OR 922; OR BRASS, QQ-B-626, COPPER ALLOY 377.
- FINISH
  - BODY
    - CLASS 1 ALUMINUM - MIL-A-8625, ANODIC COATING, TYPE II, CLASS I.
    - CLASS 2 BRASS OR BRASS - PLAIN.
- BURRS AND ALL FOREIGN MATERIAL SHALL BE REMOVED.
- HYDROSTATIC TEST PRESSURE - 1 THROUGH 4 INCH, 300 P.S.I.; 6 INCH, 150 P.S.I.
- WORKING PRESSURE - 1 THROUGH 4 INCH, 150 P.S.I.; 6 INCH, 75 P.S.I.
- DIMENSIONS - IN INCHES. NOMINAL, UNLESS OTHERWISE SPECIFIED, WHEN SPECIFIED TOLERANCE  $\pm .016$ .
- PART NUMBER - THE MS PART NUMBER CONSISTS OF THE MS SHEET NUMBER PLUS THE DASH NUMBER. EXAMPLE: MS27023-11.
- REFERENCED DOCUMENTS SHALL BE OF THE ISSUE IN EFFECT ON DATE OF INVITATIONS FOR BID.
- FOR DESIGN FEATURE PURPOSES, THIS STANDARD TAKES PRECEDENCE OVER PROCUREMENT DOCUMENTS REFERRED HEREIN.

(E) DENOTES CHANGES

REVIEW ACTIVITIES: USER ACTIVITIES:  
ARMY - AW, OL ARMY - BY  
AIR FORCE - 82 NAVY - MC  
DLA - CS

DISTRIBUTION STATEMENT A. Approved for public release; distribution is unlimited.  
This military standard is approved for use by all Departments and Agencies of the Department of Defense. Selection for all new engineering and design applications and for repetitive use shall be made from this document, when applicable.

P. A. ARMY - MC Other Code NAVY - YD A.F. - 99	INTERNATIONAL INTEREST STANAG NO 2761 OSTAG 240	TITLE COUPLING HALF, QUICK DISCONNECT, CAM-LOCKING TYPE, MALE, FLANGED, TYPE III	MILITARY STANDARD MS 27023
PROCUREMENT SPECIFICATION MIL-C-27487	UNPRECEDED	SHEET 1 OF 2	

DD FORM 672

(COORDINATED) - AMSC, N/A

PREPARED BY: 0101 OF 13 FEBRUARY 1970

4730-0858

APPROVED 23 SEPT. 1960 REVISED A 17 FEBRUARY 1970 B 19 AUGUST 1975 C 16 JULY 1980 D 4 OCTOBER 1985 E 31 AUGUST 1987

FED SUP CLASS  
4730

NOTE:

CERTAIN PROVISIONS (DIMENSIONS) OF THIS DOCUMENT ARE THE SUBJECT OF INTERNATIONAL STANDARDIZATION AGREEMENT (STANAG NO. 276) AND (OSTAG 240). WHEN CHANGE NOTICE, REVISION, OR CANCELLATION OF THIS DOCUMENT IS PROPOSED WHICH WILL AFFECT OR VIOLATE THE INTERNATIONAL AGREEMENT CONCERNED, THE PREPARING ACTIVITY SHALL TAKE APPROPRIATE RECONCILIATION ACTION THROUGH INTERNATIONAL STANDARDIZATION CHANNELS, INCLUDING DEPARTMENTAL STANDARDIZATION OFFICES, IF REQUIRED.

APPROVED 23 SEPTEMBER 1960 REVISED FOR CHANGES SEE SHEETS 1

P. A. ARMY - ME Other Cont NAVY - YD A. F. - 99	INTERNATIONAL INTEREST STANAG NO. 276 OSTAG 240	TITLE COUPLING HALF, QUICK DISCONNECT, CAM-LOCKING TYPE, MALE, FLANGED, TYPE III	MILITARY STANDARD
			MS 27023
PROCUREMENT SPECIFICATION MIL-C-27487	SUPERSEDES	SHEET 2 OF 2	