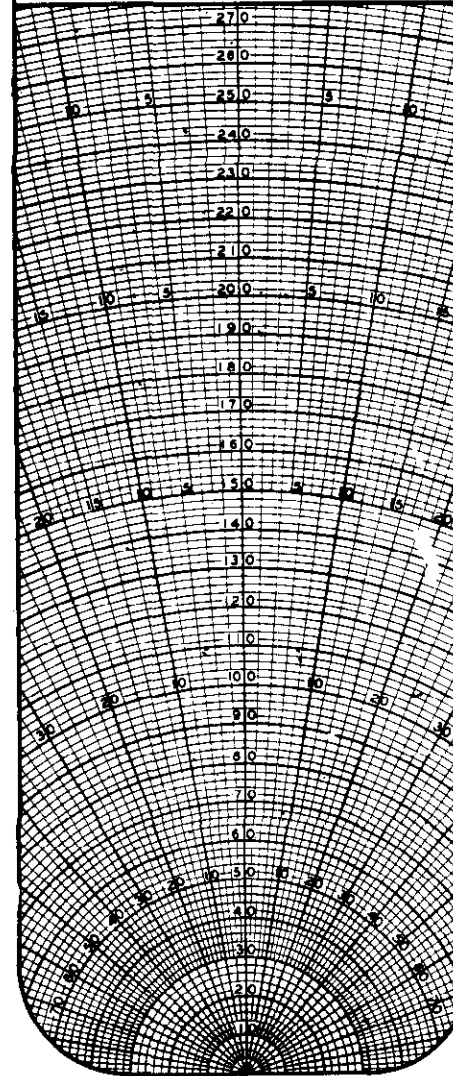


$B \pm .005$

PRES ALT FEET	CALIBRATED AIRSPEED KNOTS							
	200	250	300	350	400	450	500	550
10,000	1.0	1.0	.99	.99	.98	.98	.97	.97
20,000	.99	.98	.97	.97	.96	.95	.94	.93
30,000	.97	.96	.95	.94	.92	.91	.90	.89
40,000	.96	.94	.92	.90	.88	.87	.87	.86
50,000	.93	.90	.87	.86	.84	.84	.84	.84

DIRECTIONS
USE CALIBRATED AIRSPEED AND PRES ALT TO OBTAIN F FACTOR. MULTIPLY F FACTOR BY TAB OBTAINED WITH COMPUTER TO OBTAIN TRUE TAB CORRECTED FOR COMPRESSIBILITY.



.040

SLIDE
MS 26514-3 AND -6

TRUE EDGE TO BE PARALLEL TO ϕ WITHIN .003

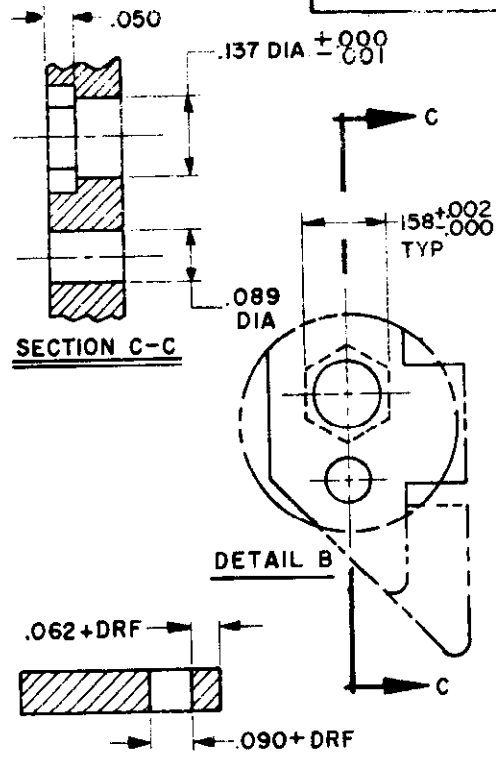
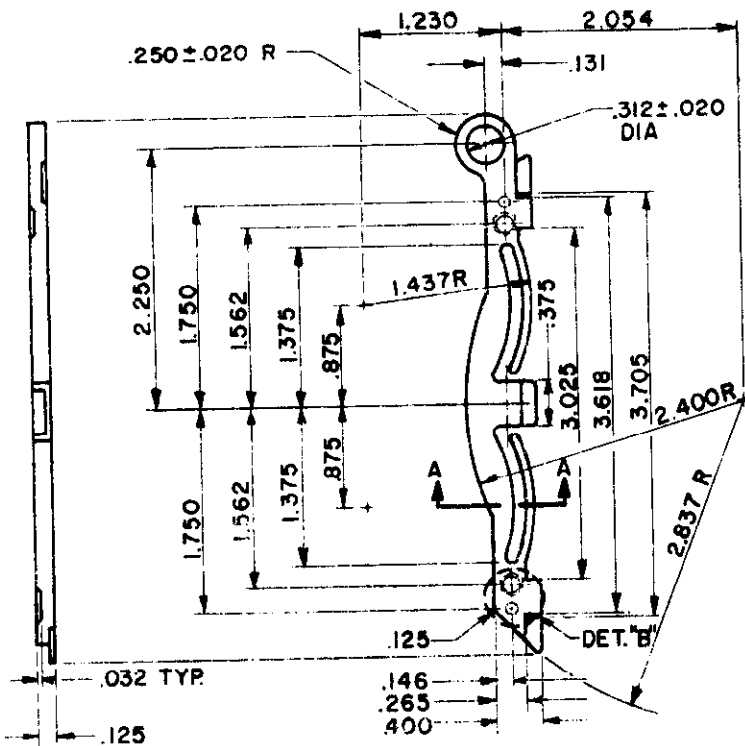
REVISED (B) 27 FEB 1976

APPROVED

© 15 JUNE 1981

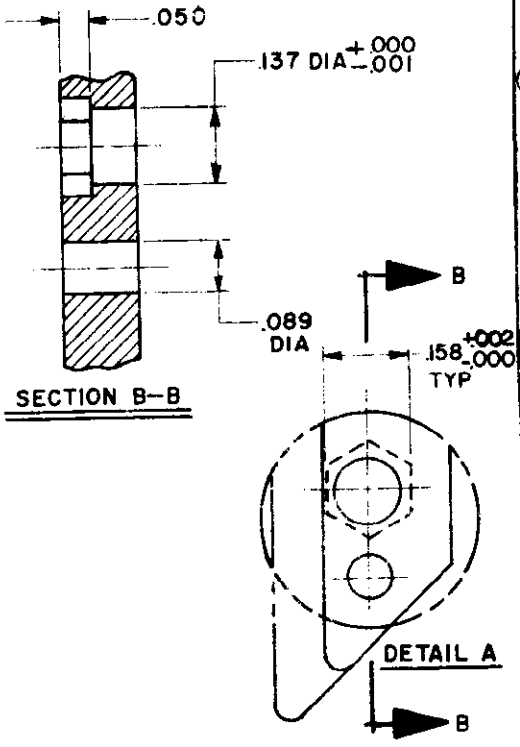
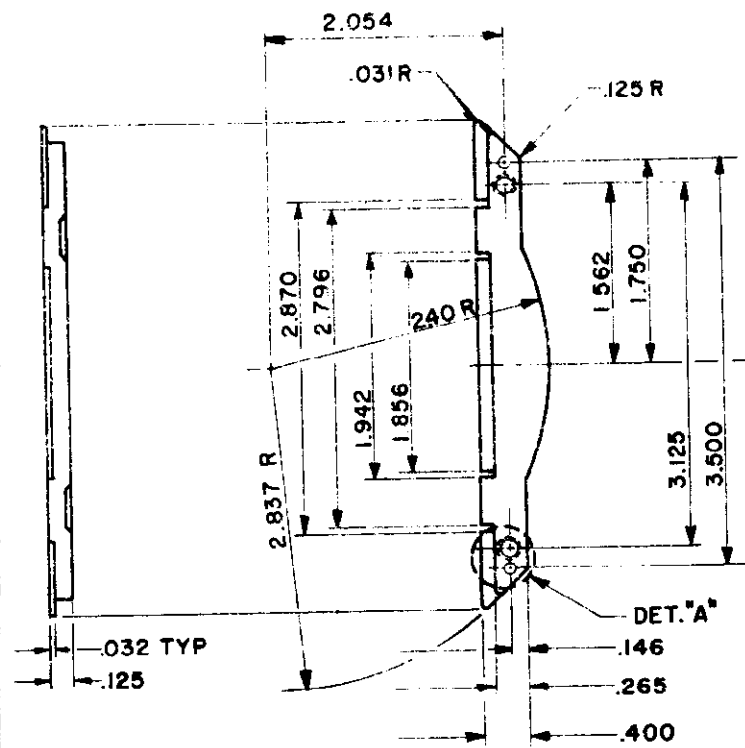
P. A. 99 Other Cust AV AS	INTERNATIONAL INTEREST	TITLE COMPUTER, AIR NAVIGATION, DEAD RECKONING TYPE MB-4A AND TYPE CPU-26A/P	MILITARY STANDARD MS26514
PROCUREMENT SPECIFICATION MIL-C-5414	SUPERSEDES: AN5834		SHEET 1 OF 5

FED. SUP CLASS
6605



LEFT SPACER (TYPE MB-4A COMPUTER)

SECTION A-A



RIGHT SPACER (TYPE MB-4A COMPUTER)

APPROVED
REVISED (B)
27 FEB 1976
C 15 JUNE 1981

P. A799
Other Cust AV
AS

INTERNATIONAL
INTEREST

TITLE
COMPUTER, AIR NAVIGATION, DEAD RECKONING
TYPE MB-4A AND TYPE CPU-26A/P

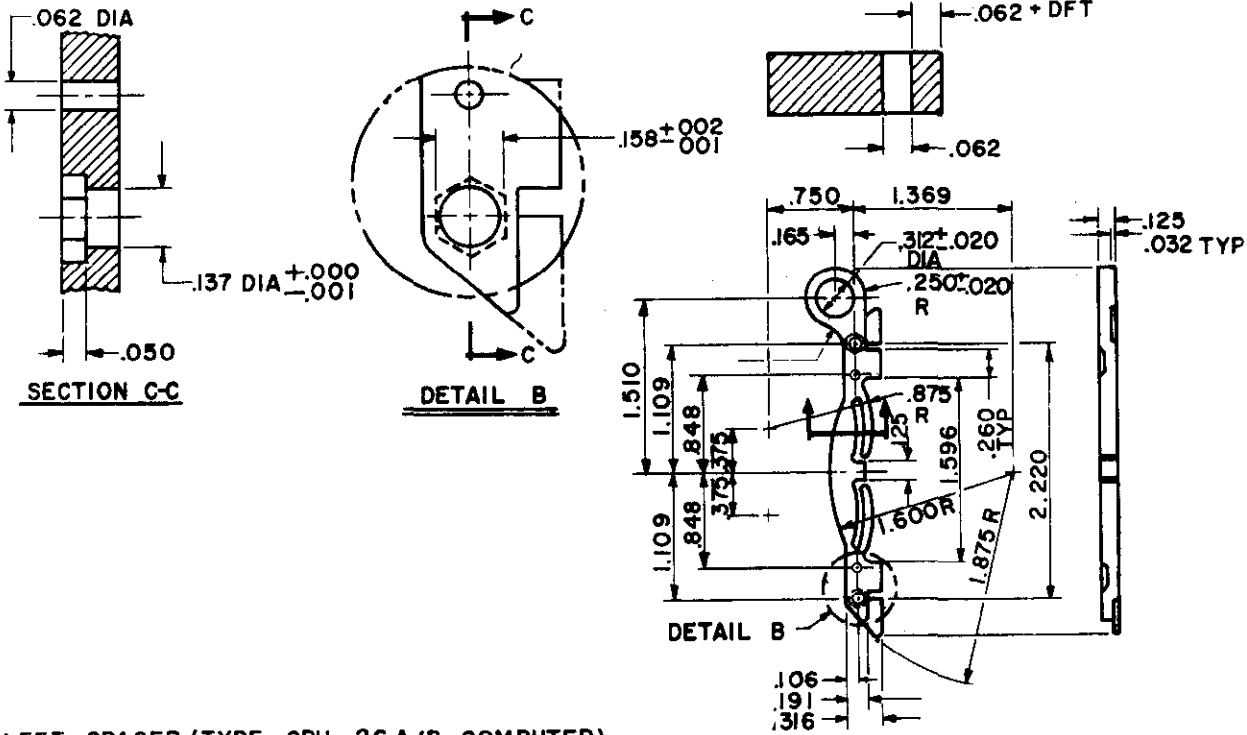
MILITARY STANDARD
MS26514

PROCUREMENT SPECIFICATION
MIL-C-5414

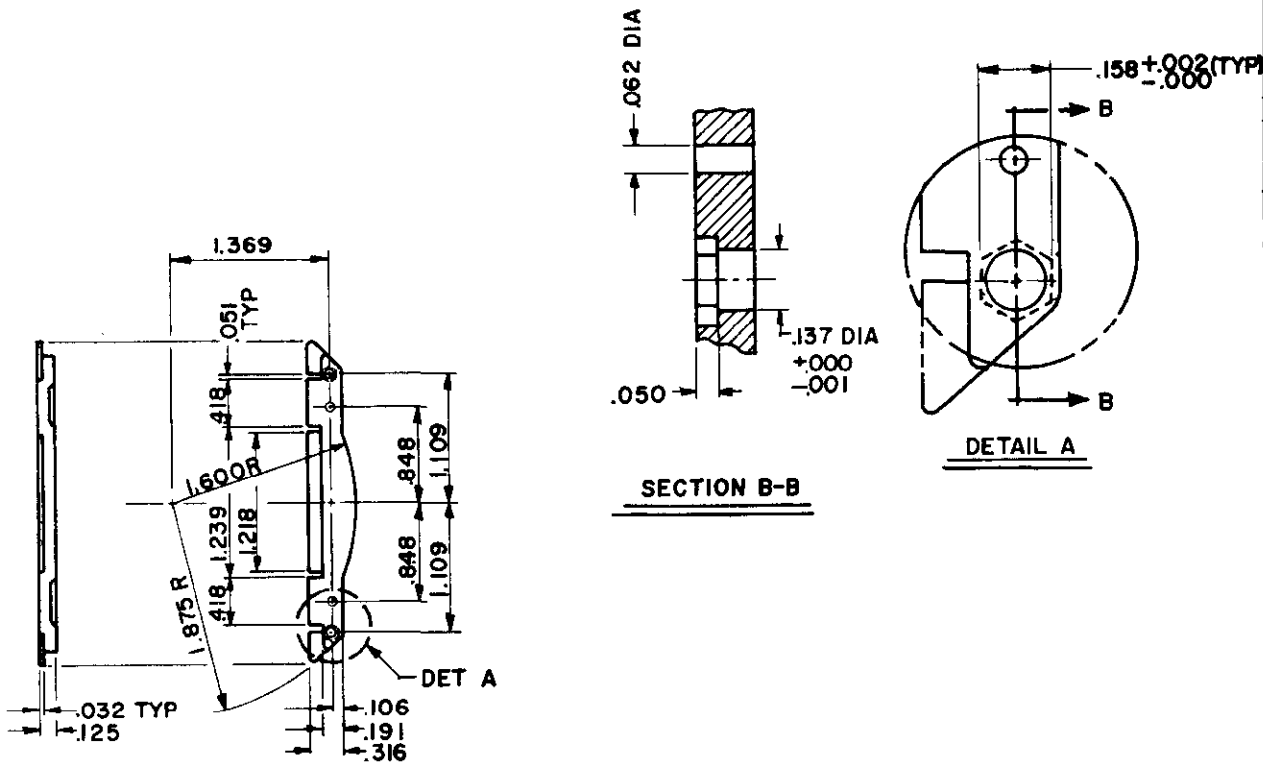
SUPERSEDES:
AN5834

SHEET 3 OF 5

FED. SUP CLASS
6605



LEFT SPACER (TYPE CPU-26 A/P COMPUTER)



RIGHT SPACER (TYPE CPU-26 A/P COMPUTER)

APPROVED
REVISED (B) 27 FEB 1976 (C) 15 JUNE 1981

P. A. 99 Other Cust AV AS	INTERNATIONAL INTEREST	TITLE	MILITARY STANDARD
		COMPUTER, AIR NAVIGATION, DEAD RECKONING TYPE MB-4A AND TYPE CPU-26A/P	MS26514
PROCUREMENT SPECIFICATION MIL-C-5414	SUPERSEDES: AN5834	SHEET 4	OF 5

DIMENSIONS

TYPE	MS PART NO.	ITEM	A	B	C	D	E	F	G	H	I	J	K	L	M	N	O
MB-4A	-1	ASSY, -2 AND -3				4.790	4.406	4.000	4.875	5.625	4.312	6.032	.070	.070	.125	.051	.030
	-2	SLIDE HOLDER															
	-3	SLIDE	11.125	3.830	1.915												
CPU-26A/P	-4	ASSY, -5 AND -6															
	-5	SLIDE HOLDER				3.190	2.953	2.666	3.252	3.750	2.875	4.032	.051	.125	.051	.030	
	-6	SLIDE	7.416	2.552	1.276												

DIMENSIONS IN INCHES UNLESS OTHERWISE SPECIFIED, TOLERANCES: DECIMALS ±0.10, ANGLES ± 1/2°, ALL DRAFT 2° SCALE AND MARKING SHOWN FOR INFORMATION ONLY. FOR DETAIL REQUIREMENTS, SEE PROCUREMENT SPECIFICATION - MATERIALS: SEE PROCUREMENT SPECIFICATION.

FOR DESIGN FEATURE PURPOSES, THIS STANDARD TAKES PRECEDENCE OVER PROCUREMENT DOCUMENTS REFERENCED HEREIN. REFERENCED DOCUMENTS SHALL BE OF THE ISSUE IN EFFECT ON DATE OF INVITATION FOR BIDS.

P. A. 99
Other Cust AV
AS

INTERNATIONAL
INTEREST

TITLE
COMPUTER, AIR NAVIGATION, DEAD RECKONING
TYPE MB-4A AND TYPE CPU-26A/P

MILITARY STANDARD
MS26514

PROCUREMENT SPECIFICATION
MIL-C-5414

SUPERSEDES:
AN5834

SHEET 5 OF 5

APPROVED

REVISED (B) 27 FEB 1976

(C) 15 JUNE 1981